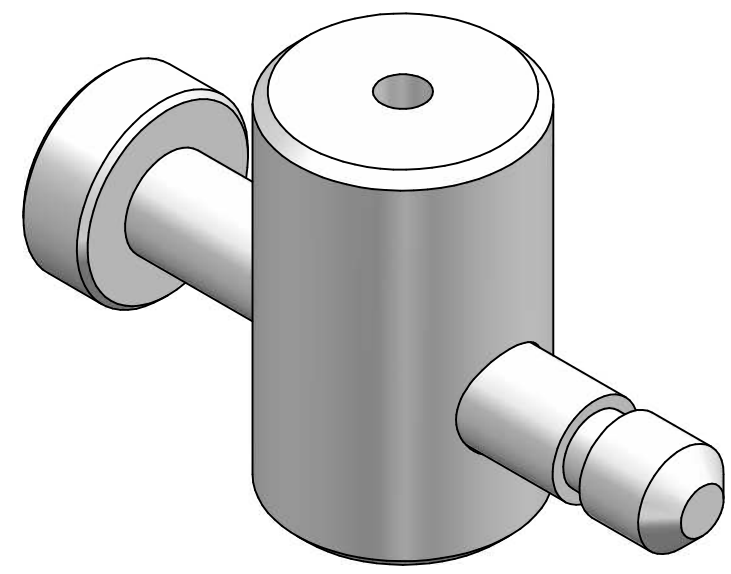
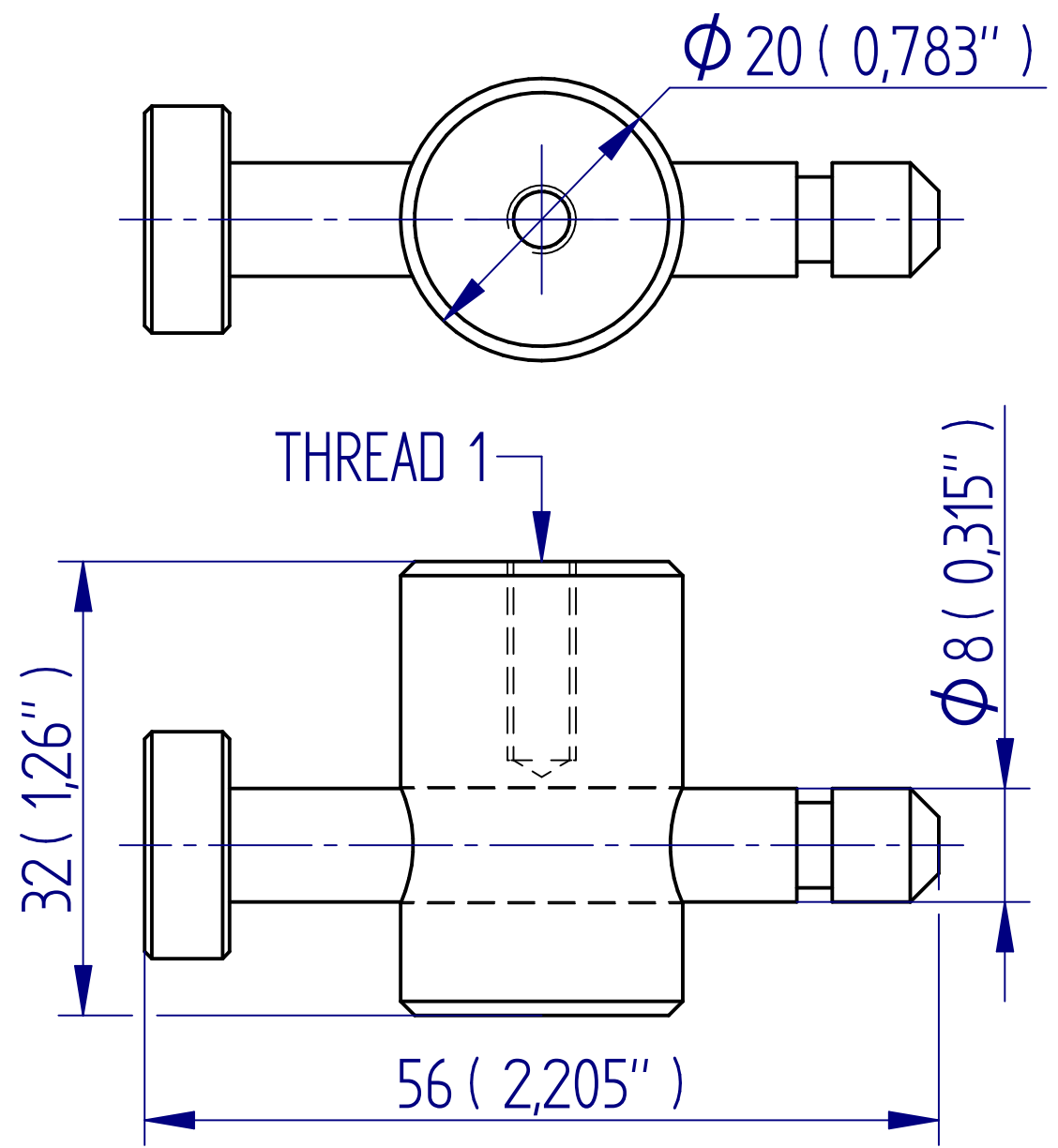


ALL DIMENSIONS ARE IN MILLIMETRES  
FOLLOWED BY INCHES: MM ( IN" )



432-418 QC Type J - Adaptor 10-32 UNF

2:1 @ A3

