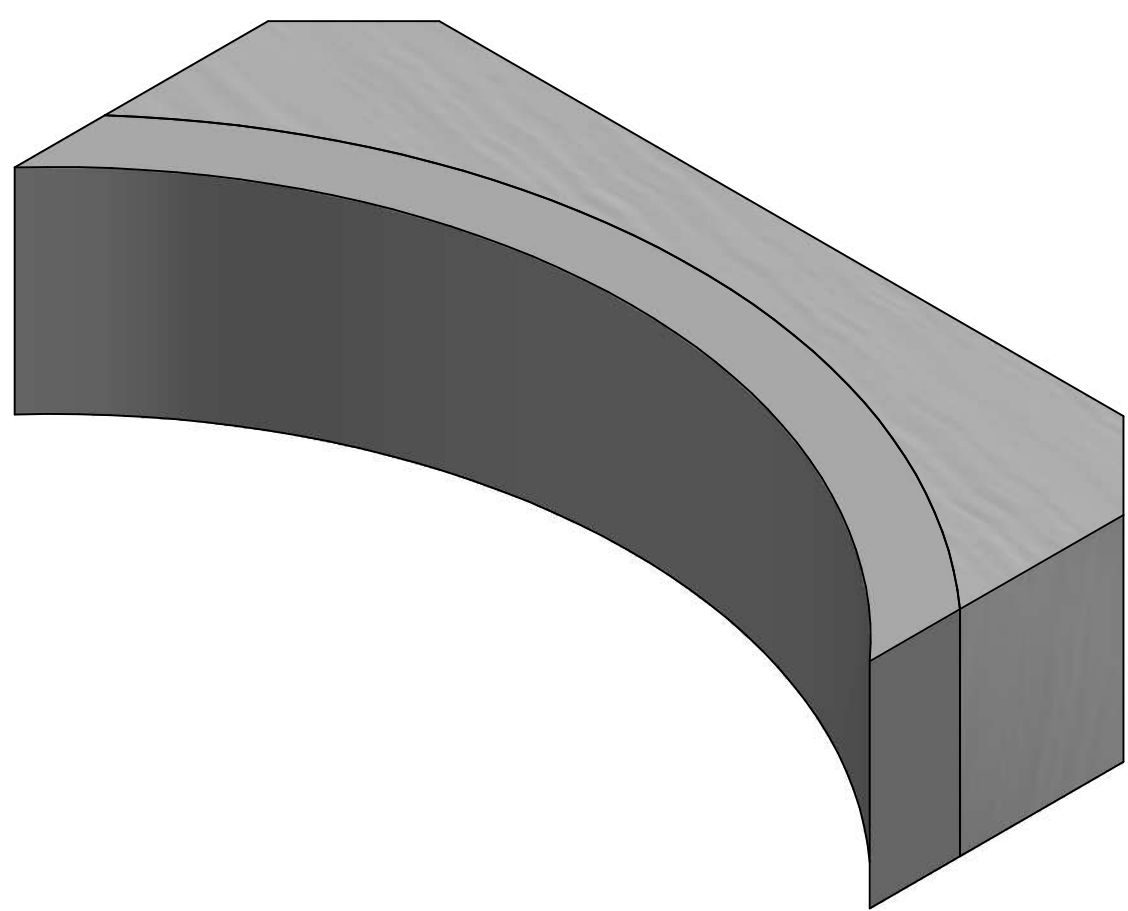
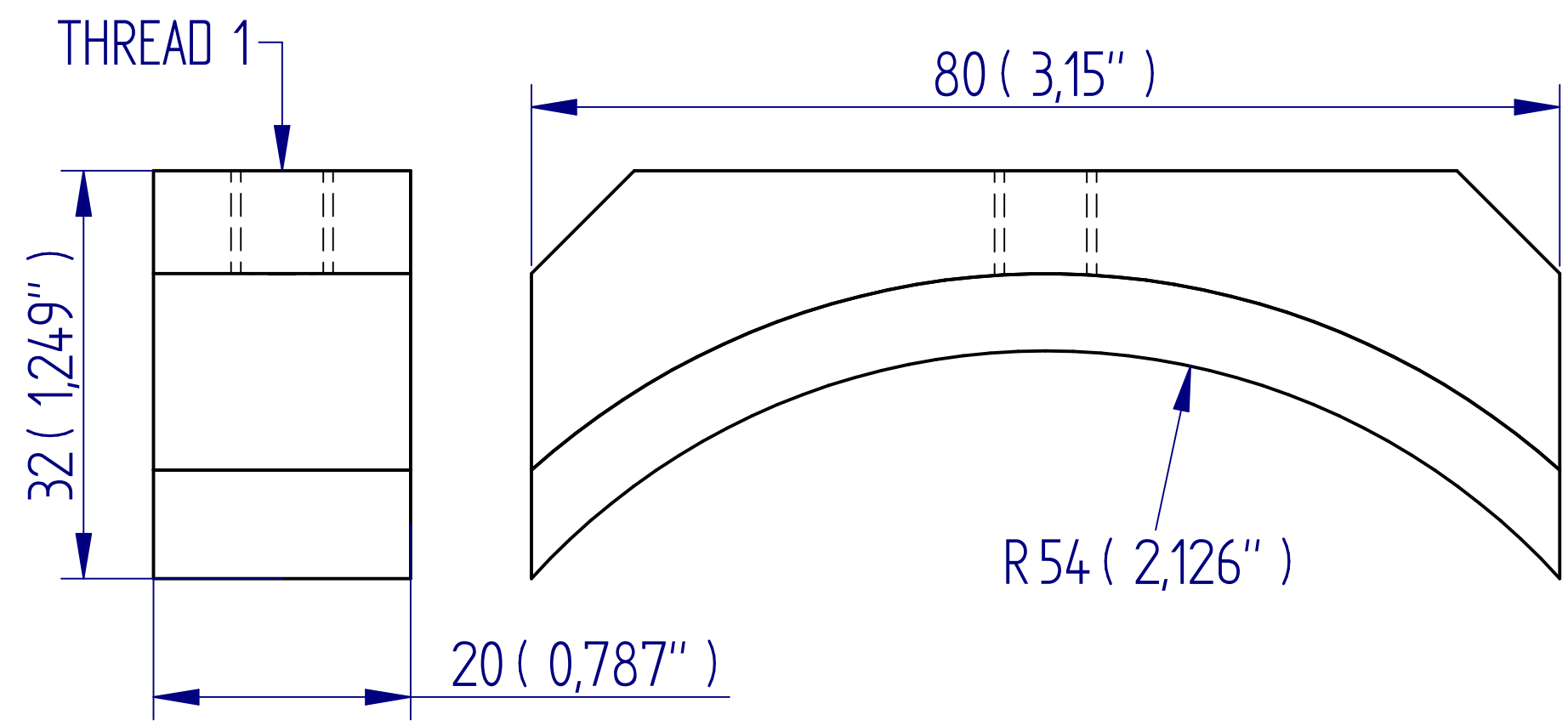



ALL DIMENSIONS ARE IN MILLIMETRES
FOLLOWED BY INCHES: MM (IN")



2:1 @ A3

432-414 5/16 UNC Padded Radiused Probe



Mecmesin
testing to perfection