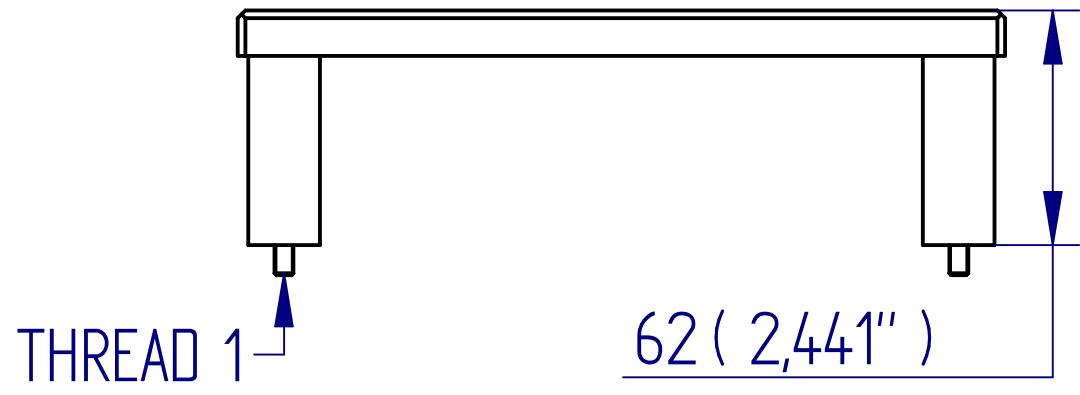
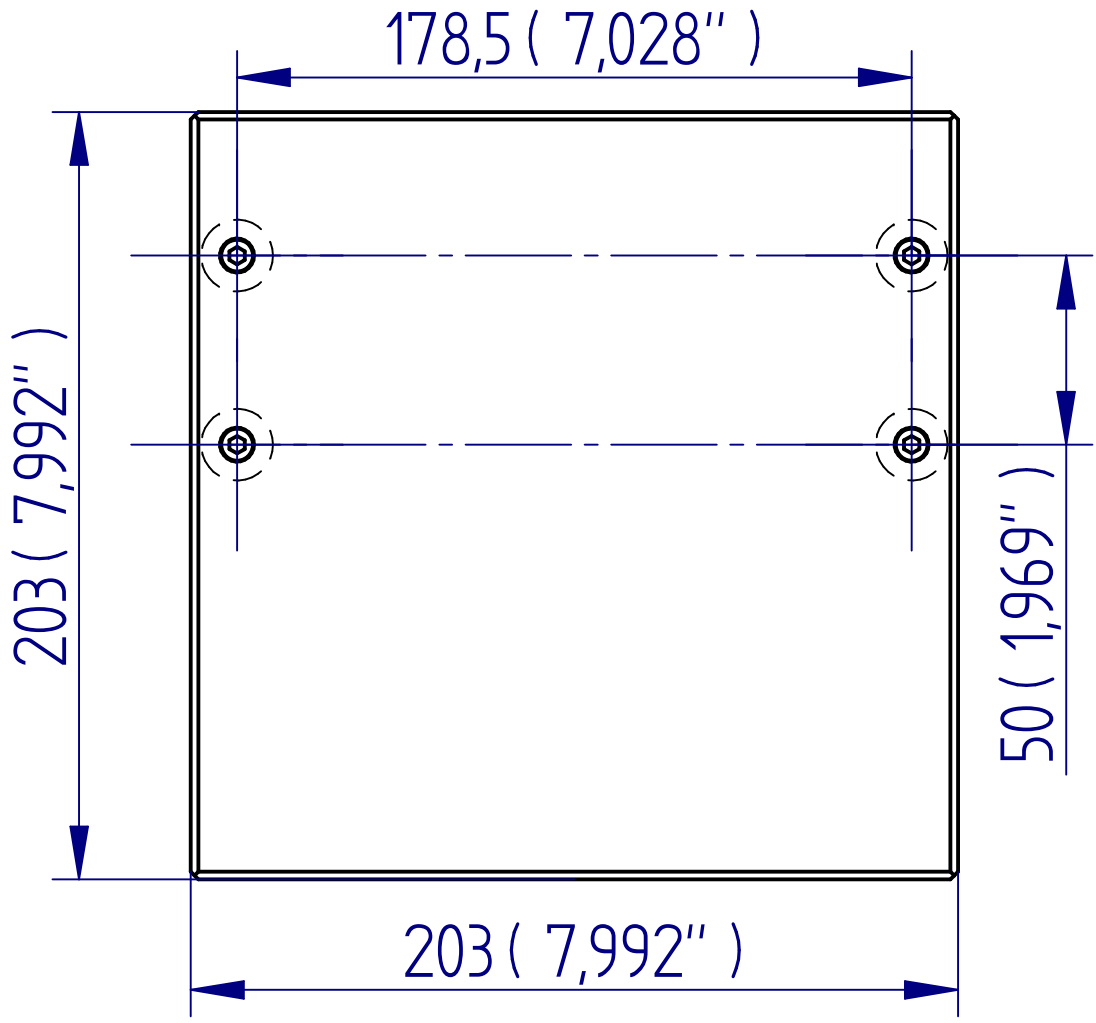
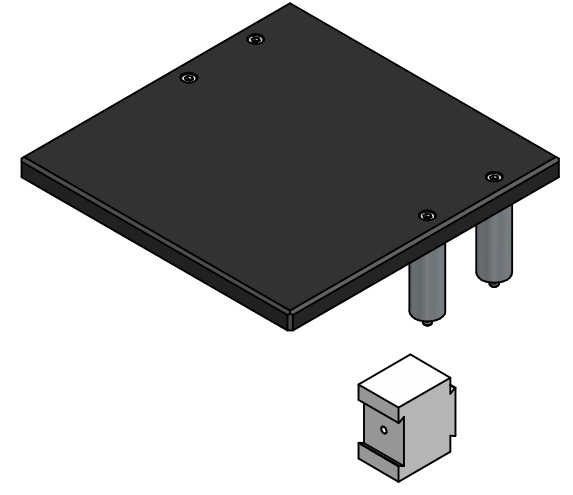
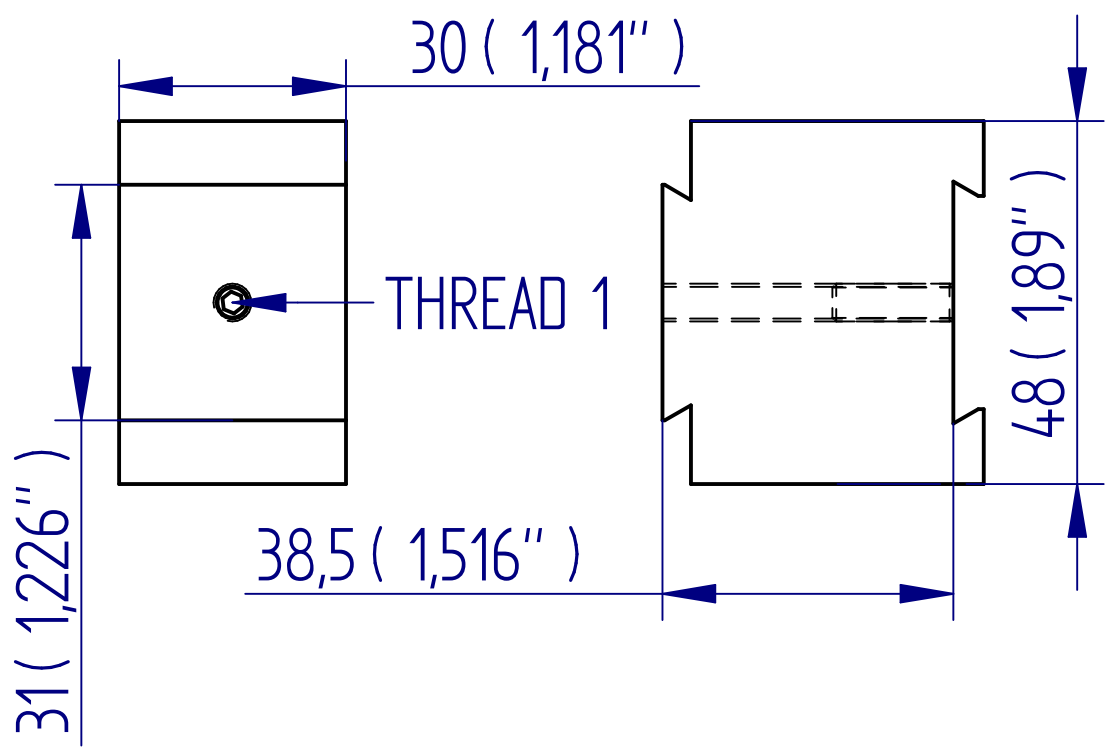


ALL DIMENSIONS ARE IN MILLIMETRES
FOLLOWED BY INCHES: MM (IN")

RAISED ANVIL PLATE (1:2 SCALE)



38.5MM CROSSHEAD EXTENSION (1:1 SCALE)



432-406 MT Extd X-Head & Raised Anvil Plate

1:2 @ A3

