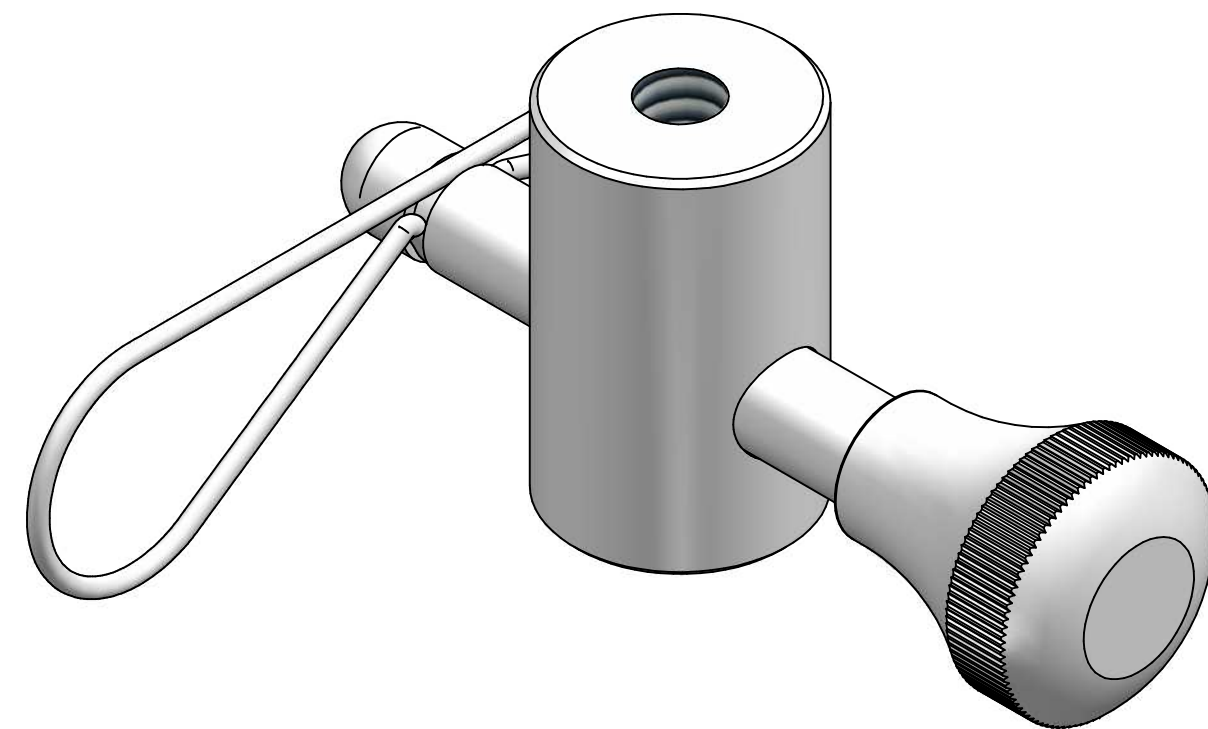
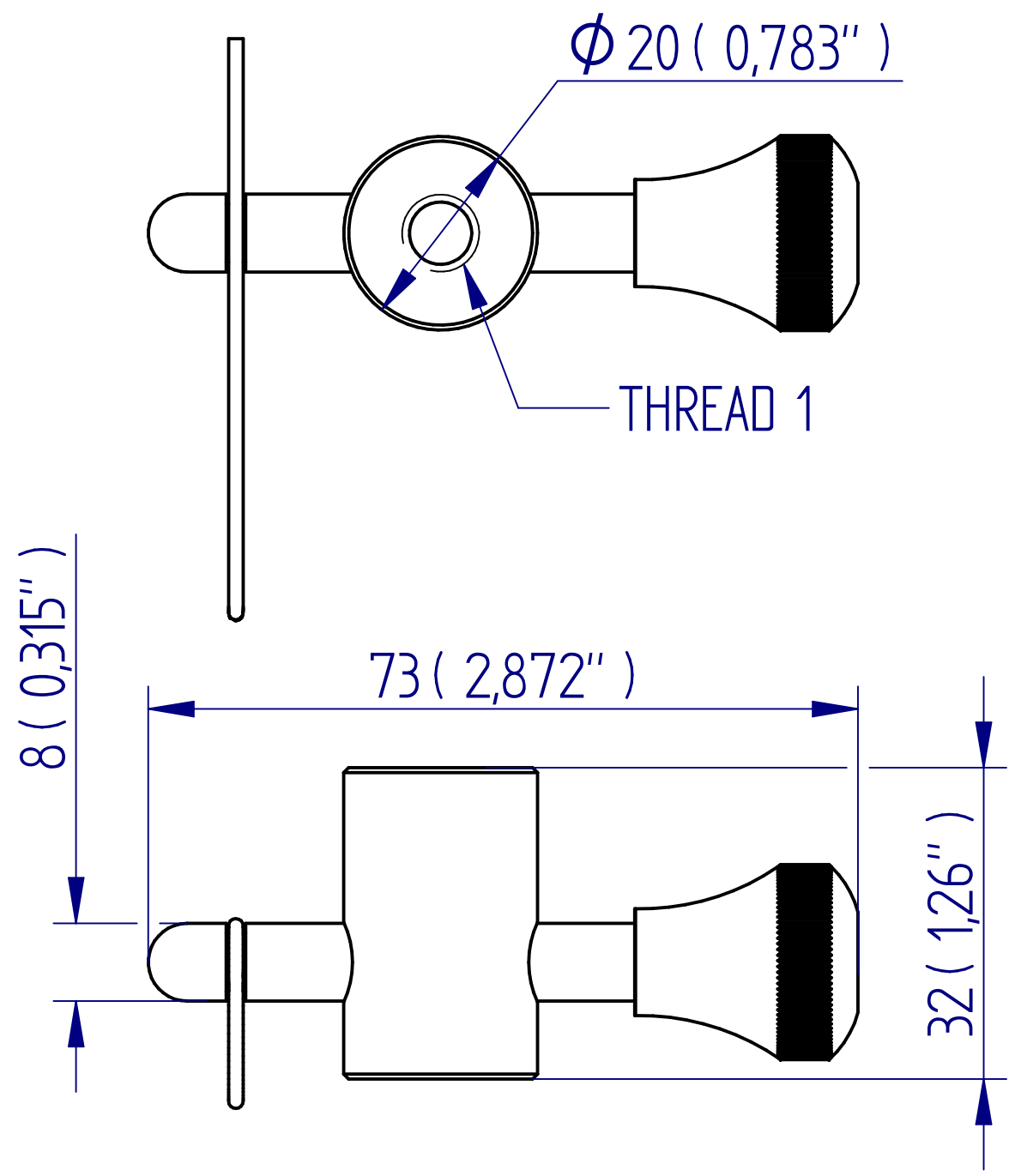


ALL DIMENSIONS ARE IN MILLIMETRES  
FOLLOWED BY INCHES: MM ( IN" )



432-282 QC Type A Male 20mm Adaptor

1.5:1 @ A3

