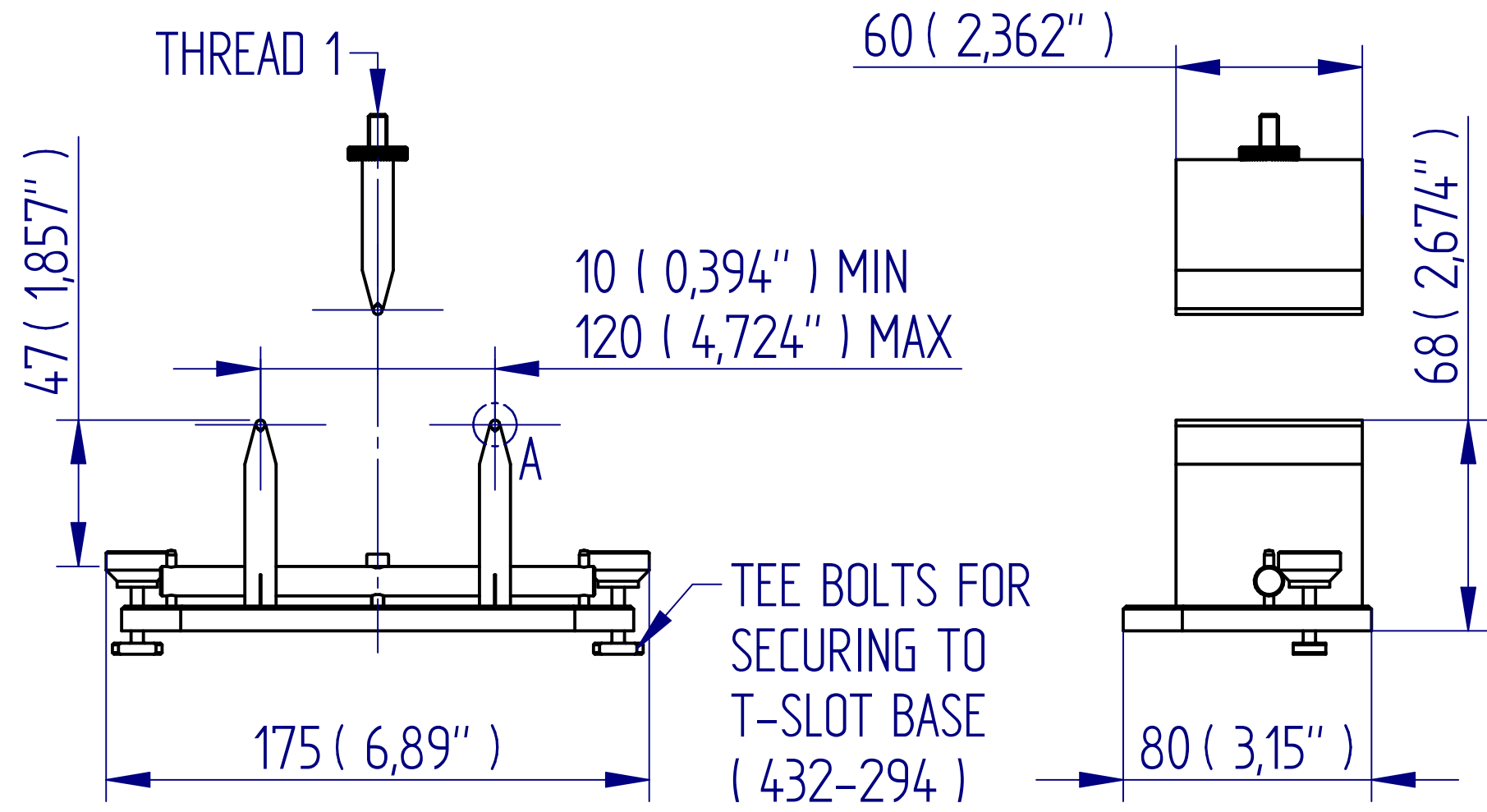
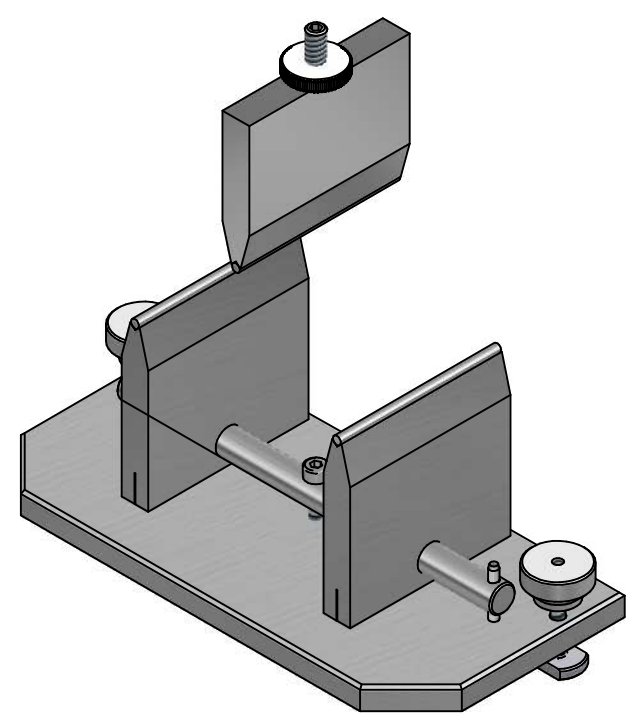
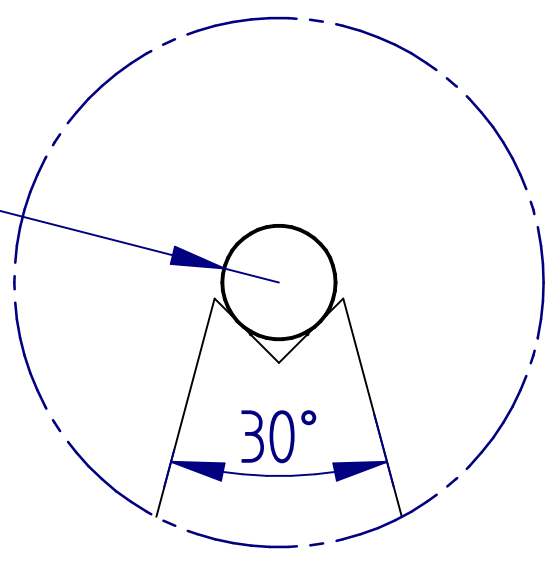


ALL DIMENSIONS ARE IN MILLIMETRES
FOLLOWED BY INCHES: MM (IN")



TEE BOLTS FOR
SECURING TO
T-SLOT BASE
(432-294)

R 1,5 (0,059")
BEND ROLLER RADIUS



432-248 TMS Light Weight 3-Point Bend Jig

1:2 @ A3

