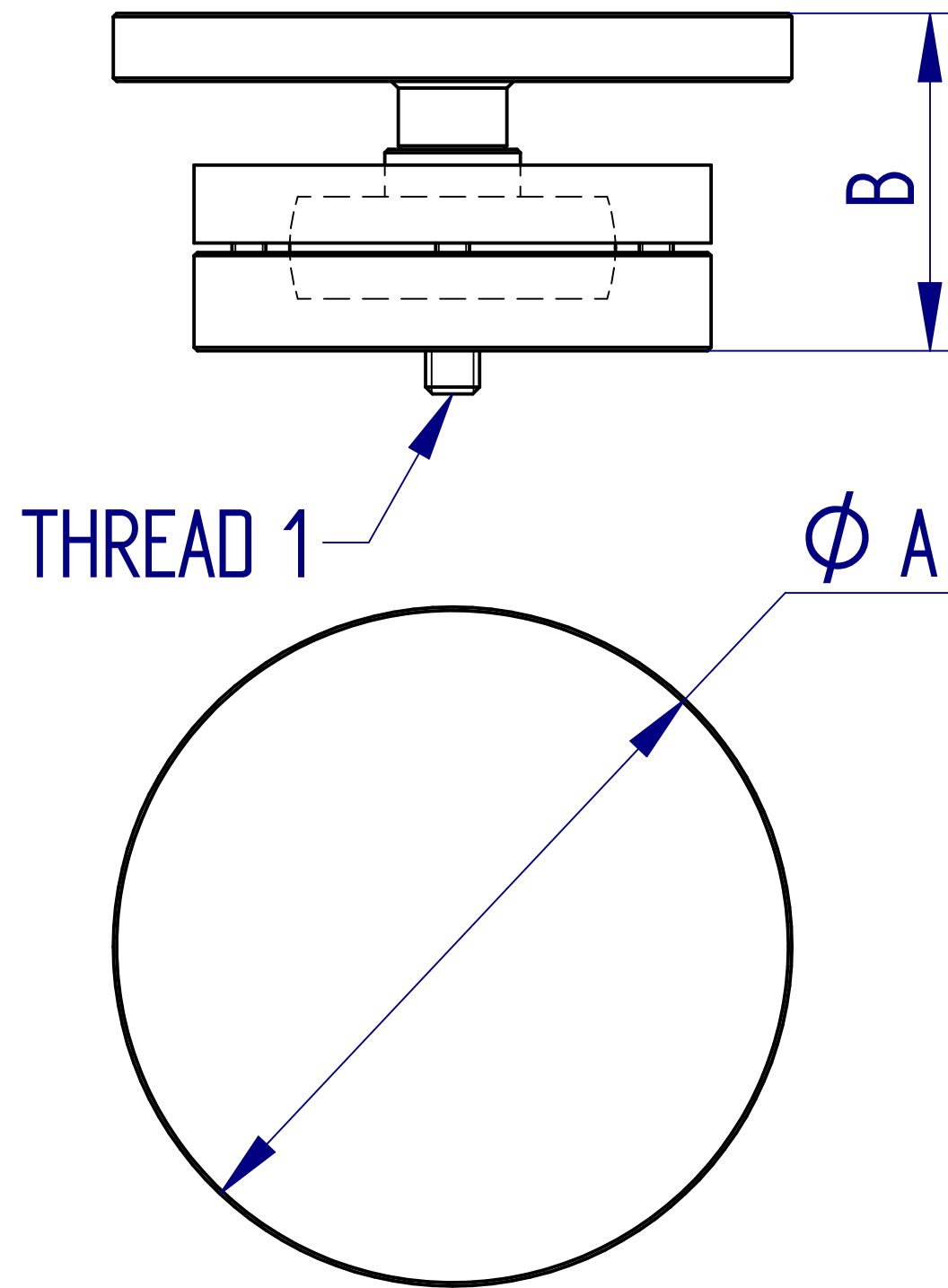


ALL DIMENSIONS ARE IN MILLIMETRES
FOLLOWED BY INCHES: MM (IN")



432-XXX Self-Levelling Compression Plates

DRAWING APPLIES TO PT NO:
432-349, 350, 351, 352

1:1 @ A3

