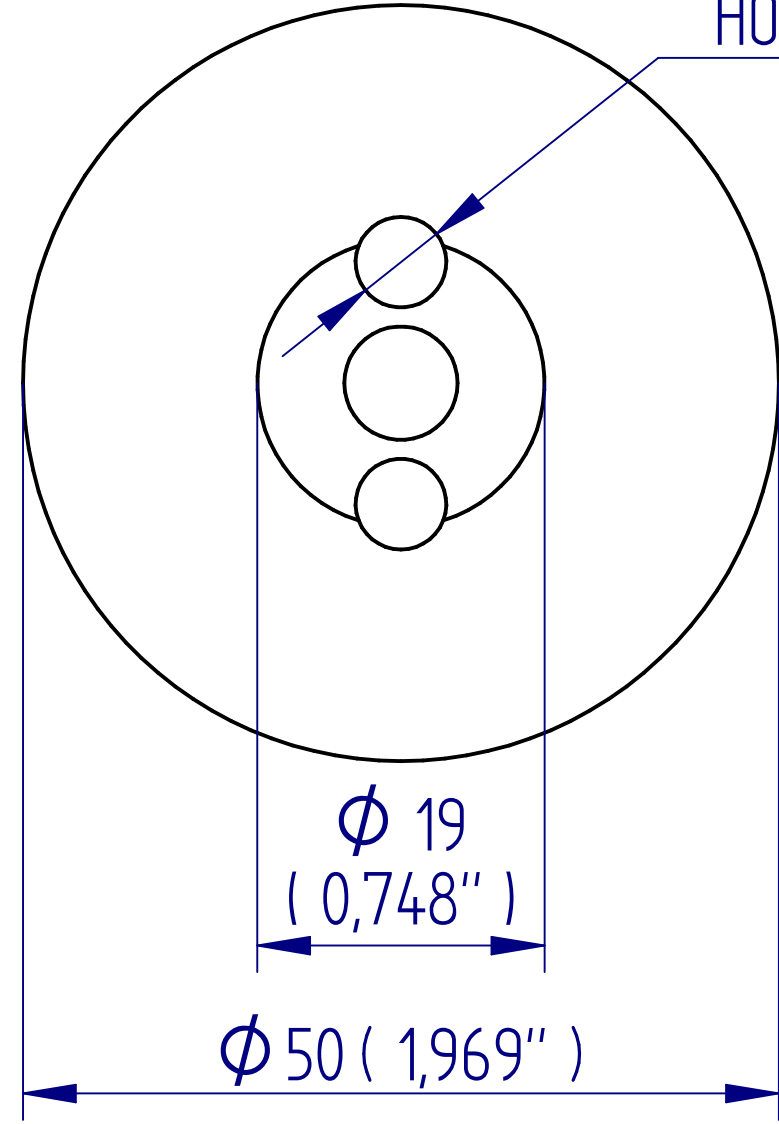
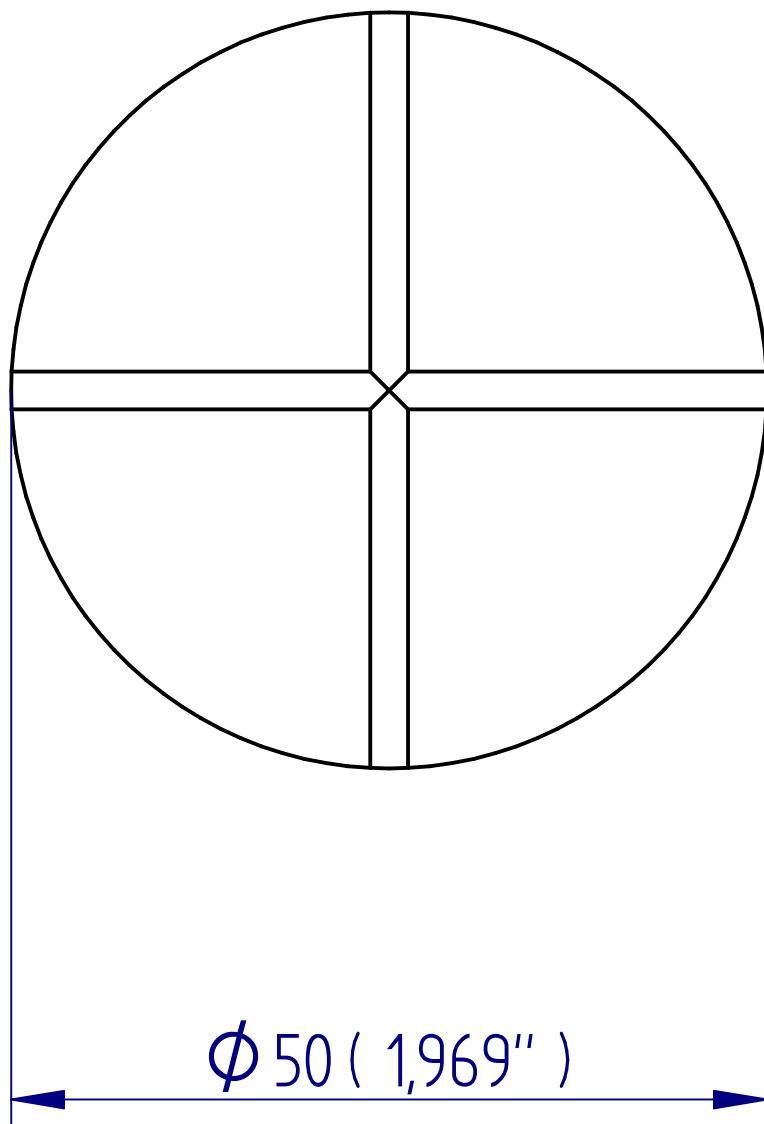
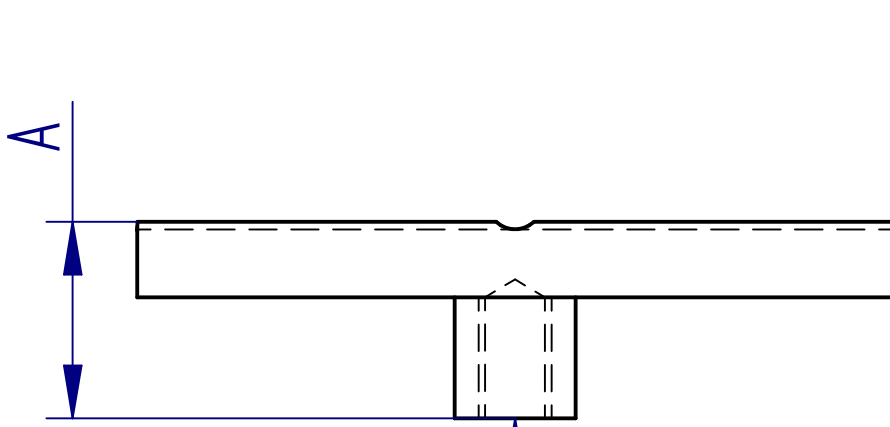
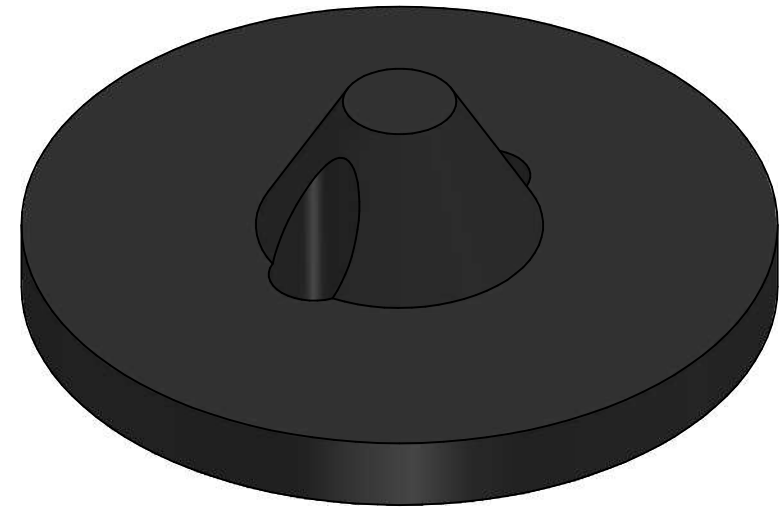
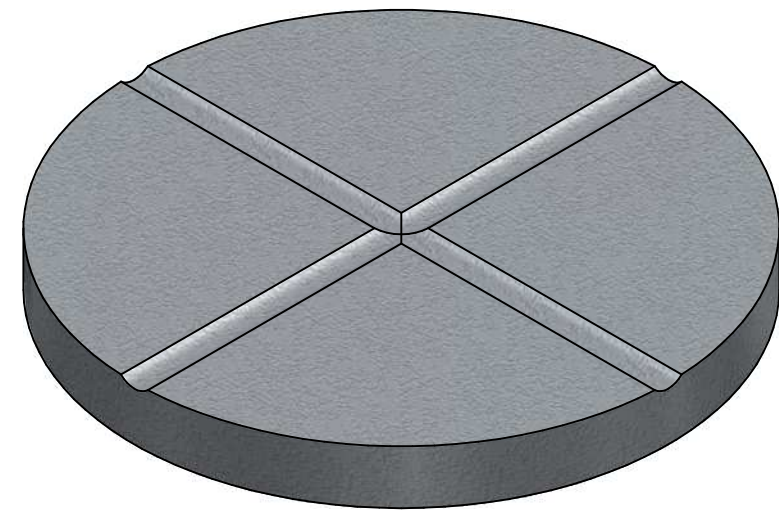


ALL DIMENSIONS ARE IN MILLIMETRES
FOLLOWED BY INCHES: MM (IN")

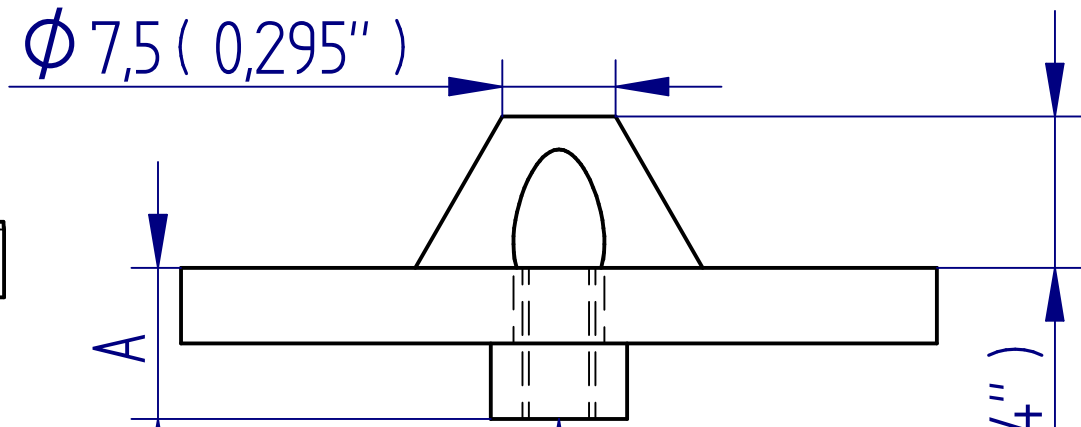


2x $\phi 6$ (0,236")
HOLES



THREAD 1

432-346



THREAD 1

432-347 & 432-348

10 (0,394")

DRAWING APPLIES TO PT NO:
432-346,347,348

432-XXX Vented Compression Plates

2:1 @ A3

