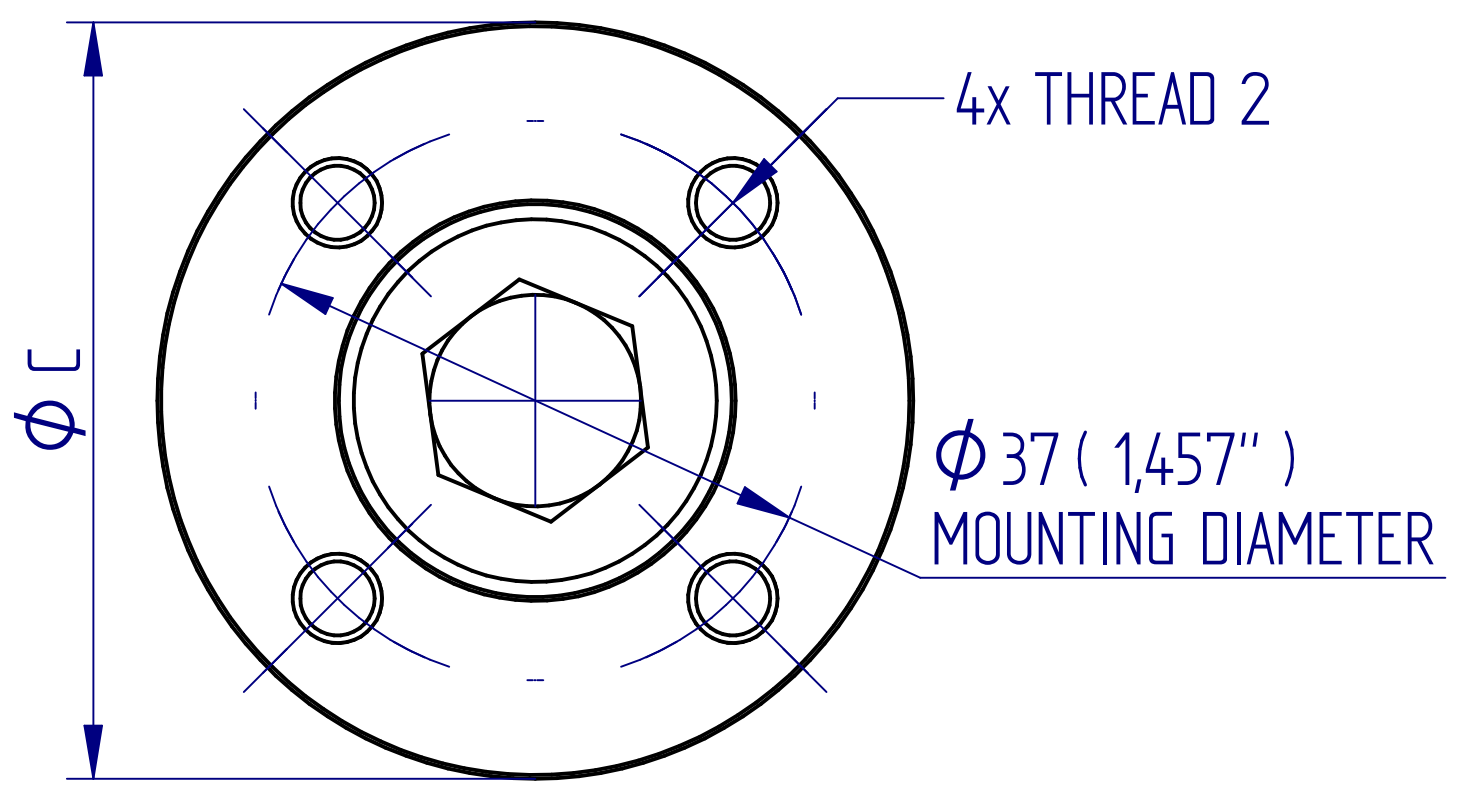
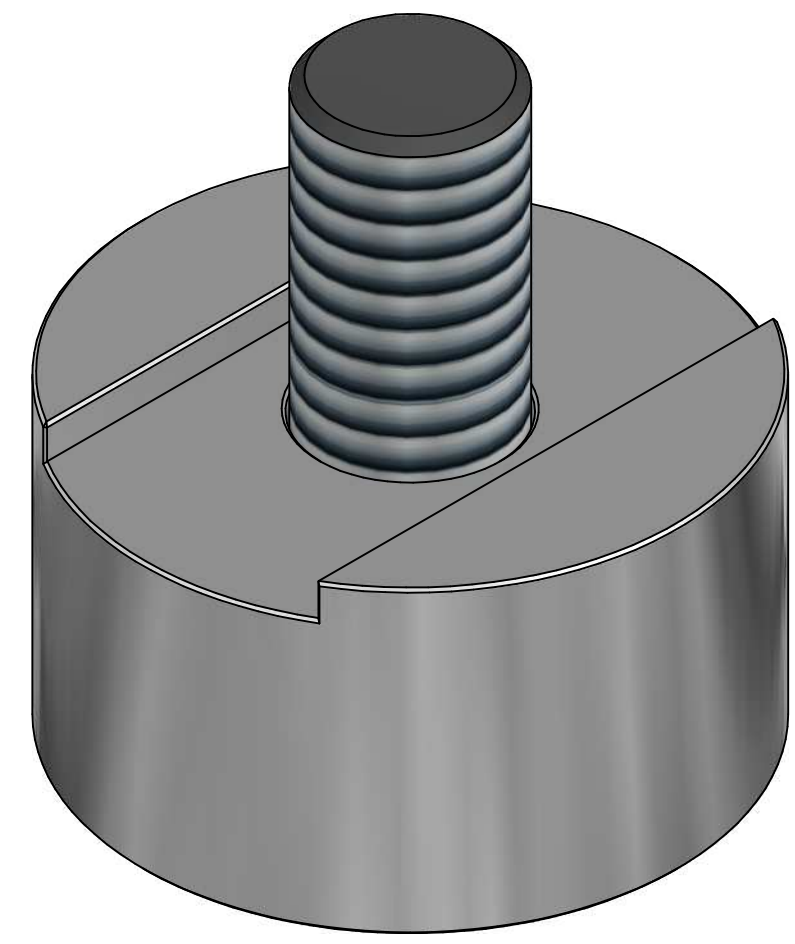
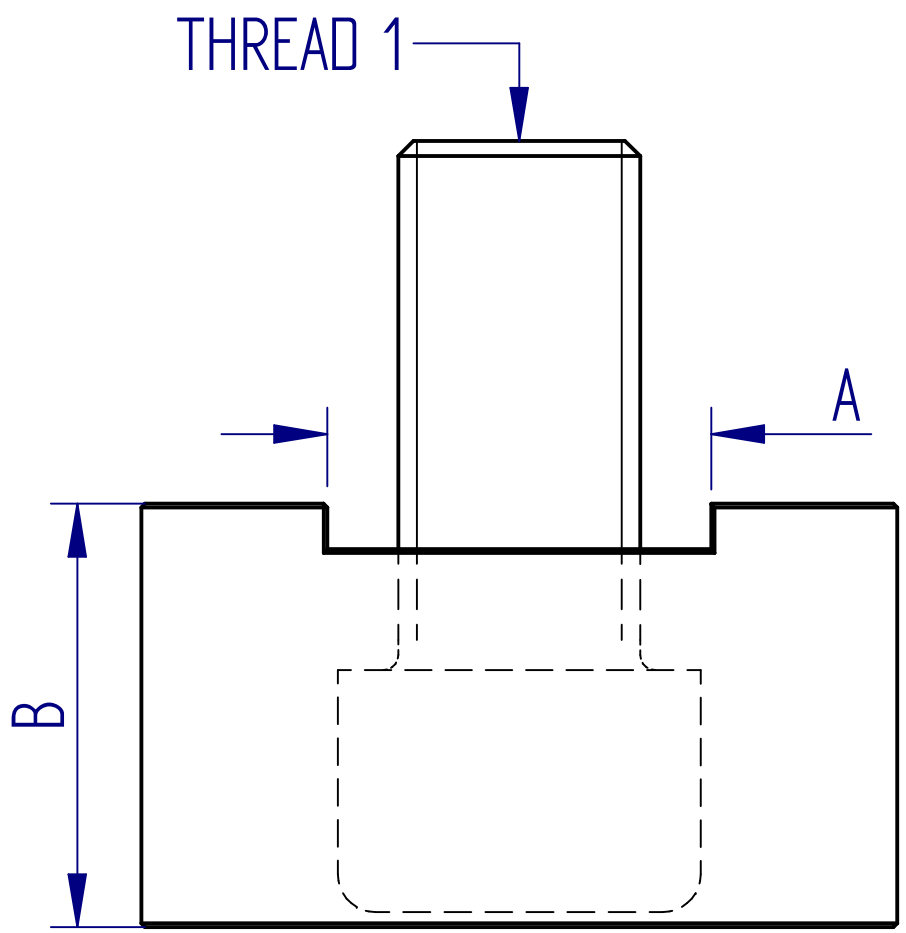


ALL DIMENSIONS ARE IN MILLIMETRES
FOLLOWED BY INCHES: MM (IN")



DRAWING APPLIES TO PT NO:
432-285,286,287,288,452 2:1 @ A3

432-XXX QC Loadcell Mounting Plates

