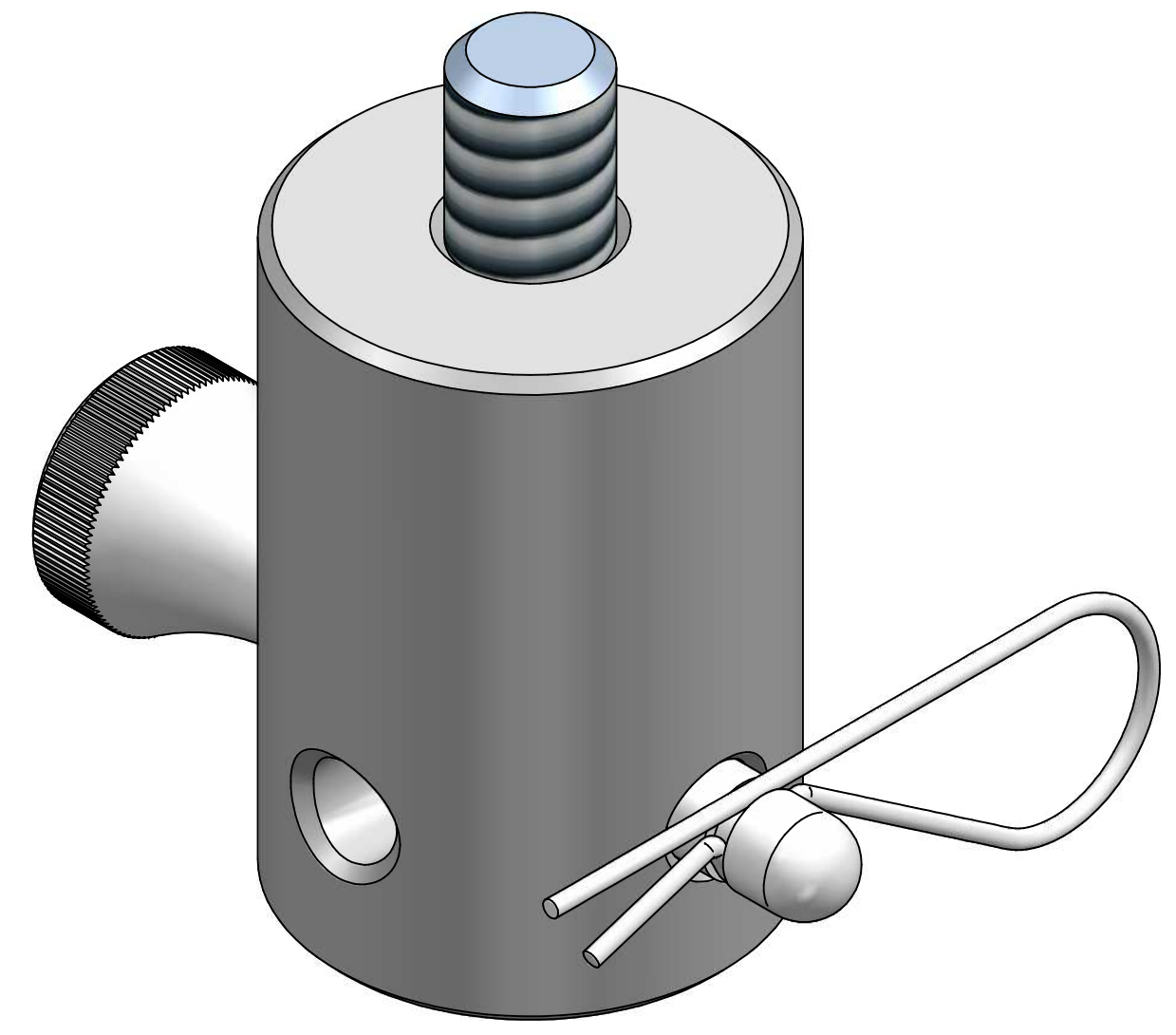
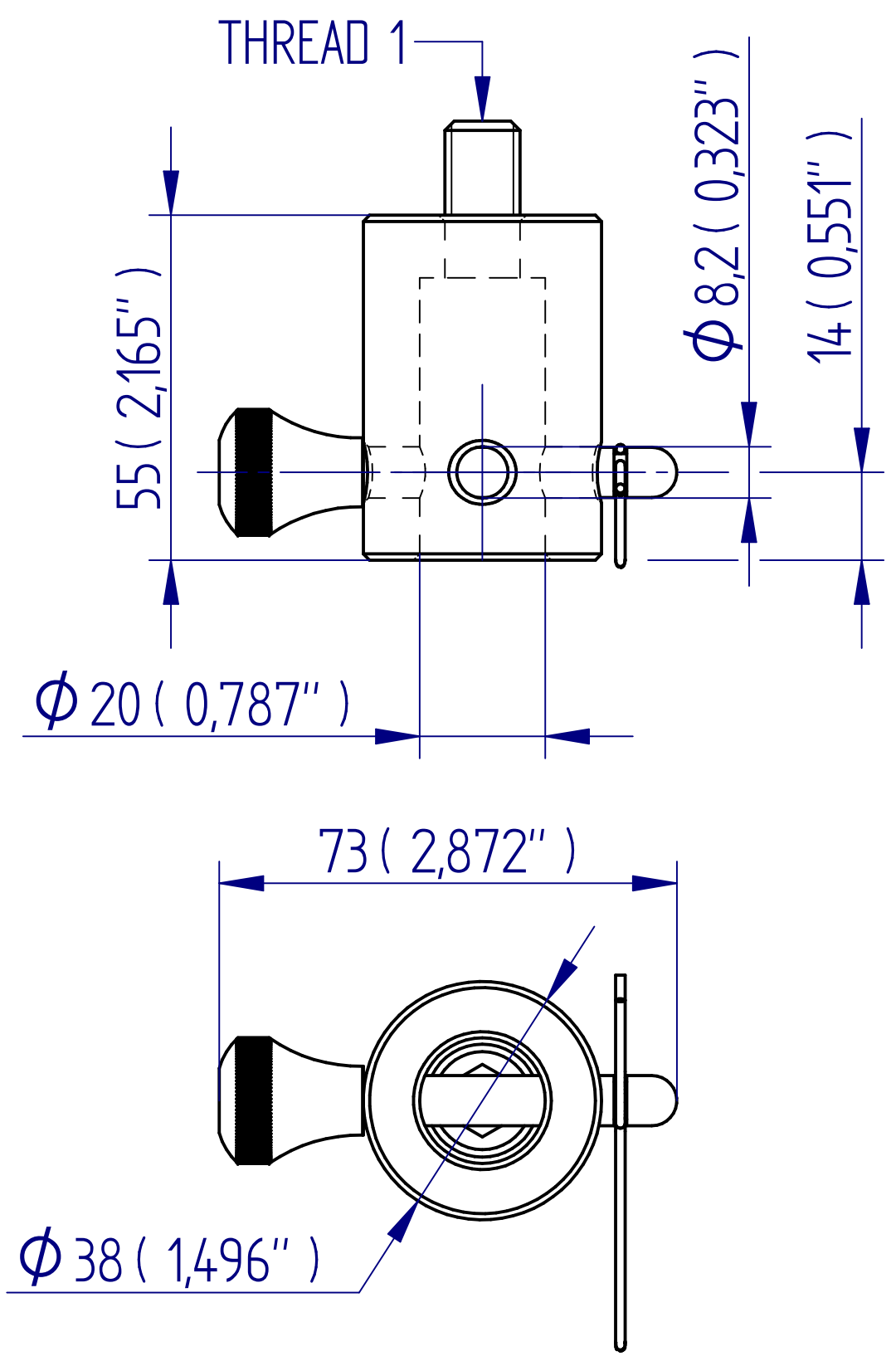


ALL DIMENSIONS ARE IN MILLIMETRES  
FOLLOWED BY INCHES: MM ( IN" )



432-XXX QC Types B and K Adaptors

DRAWING APPLIES TO PT NO:  
432-283 & 432-429 1:1 @ A3

