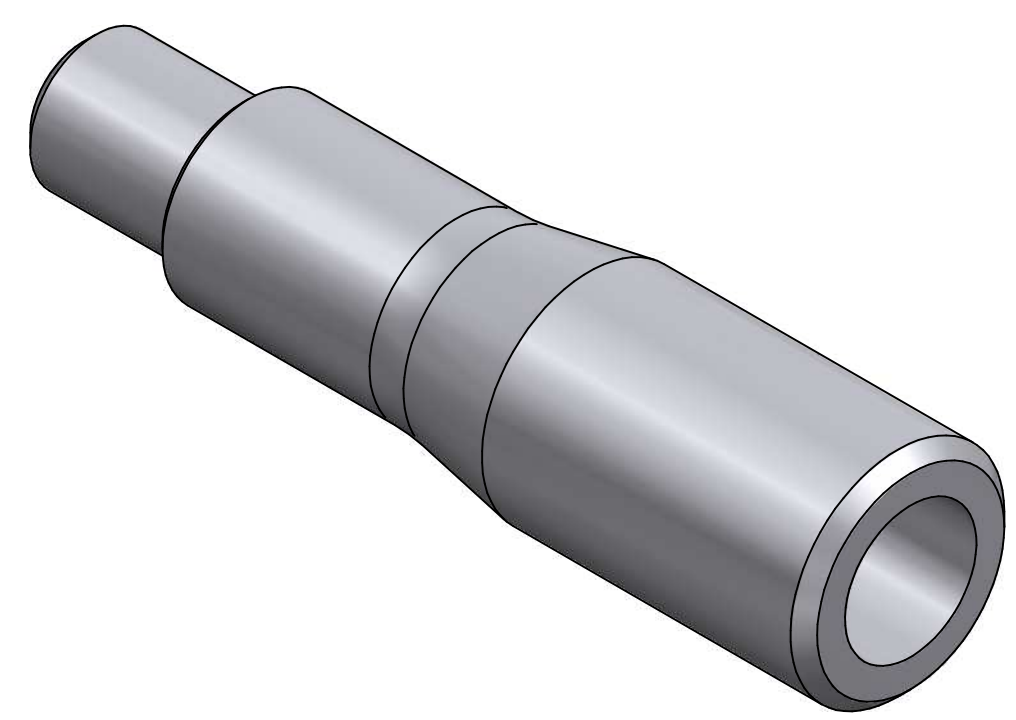
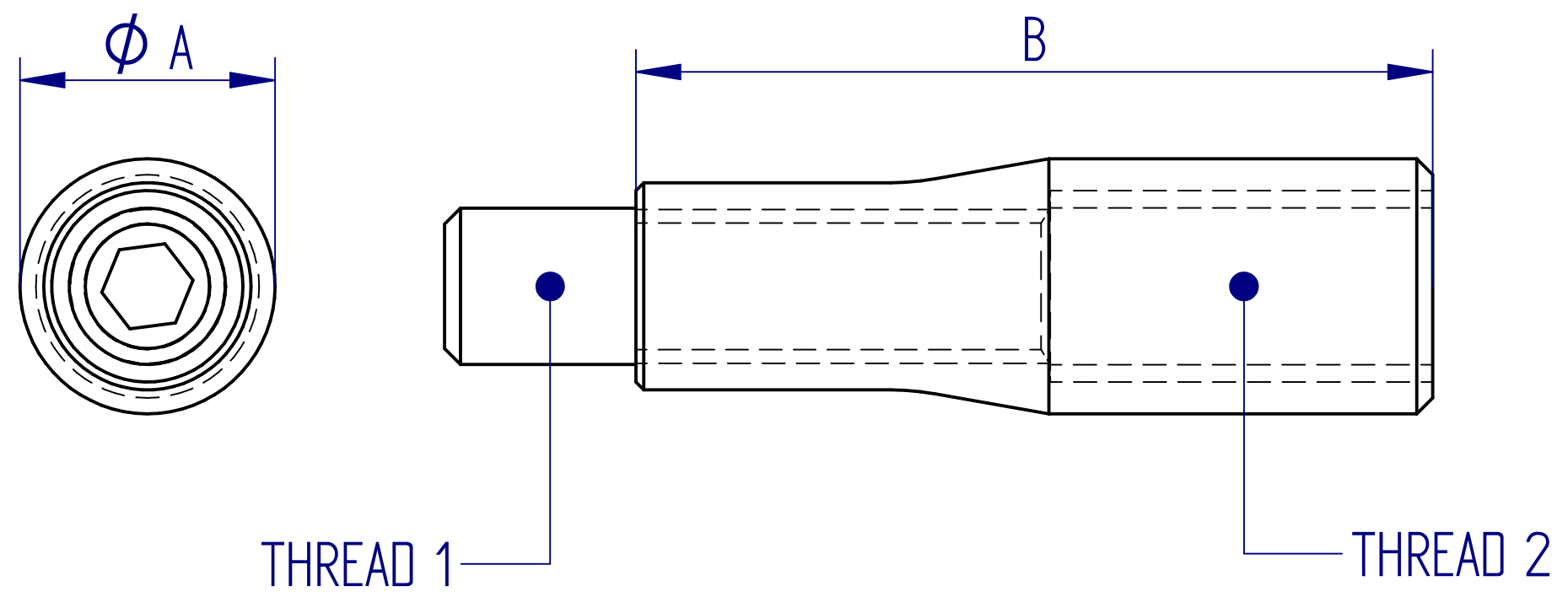


ALL DIMENSIONS ARE IN MILLIMETRES
FOLLOWED BY INCHES: MM (IN")



DRAWING APPLIES TO PT NO:
432-193 & 432-332 5:1 @ A3

432-XXX M-F Adaptors

Mecmesin
testing to perfection