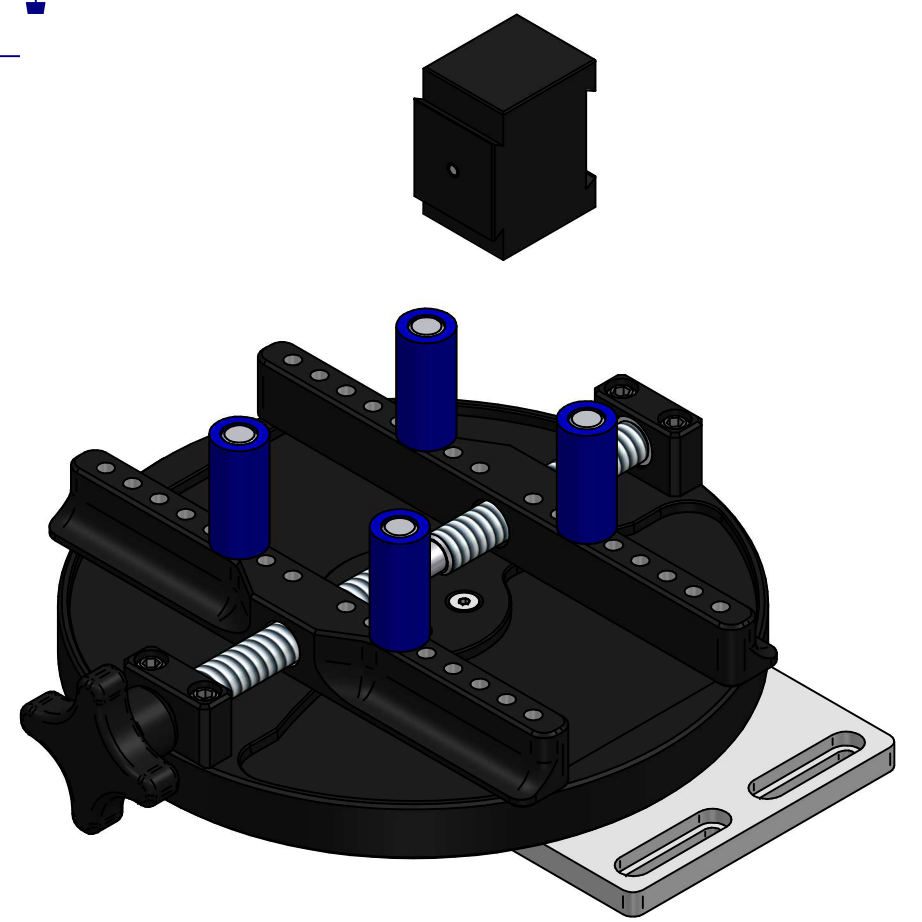
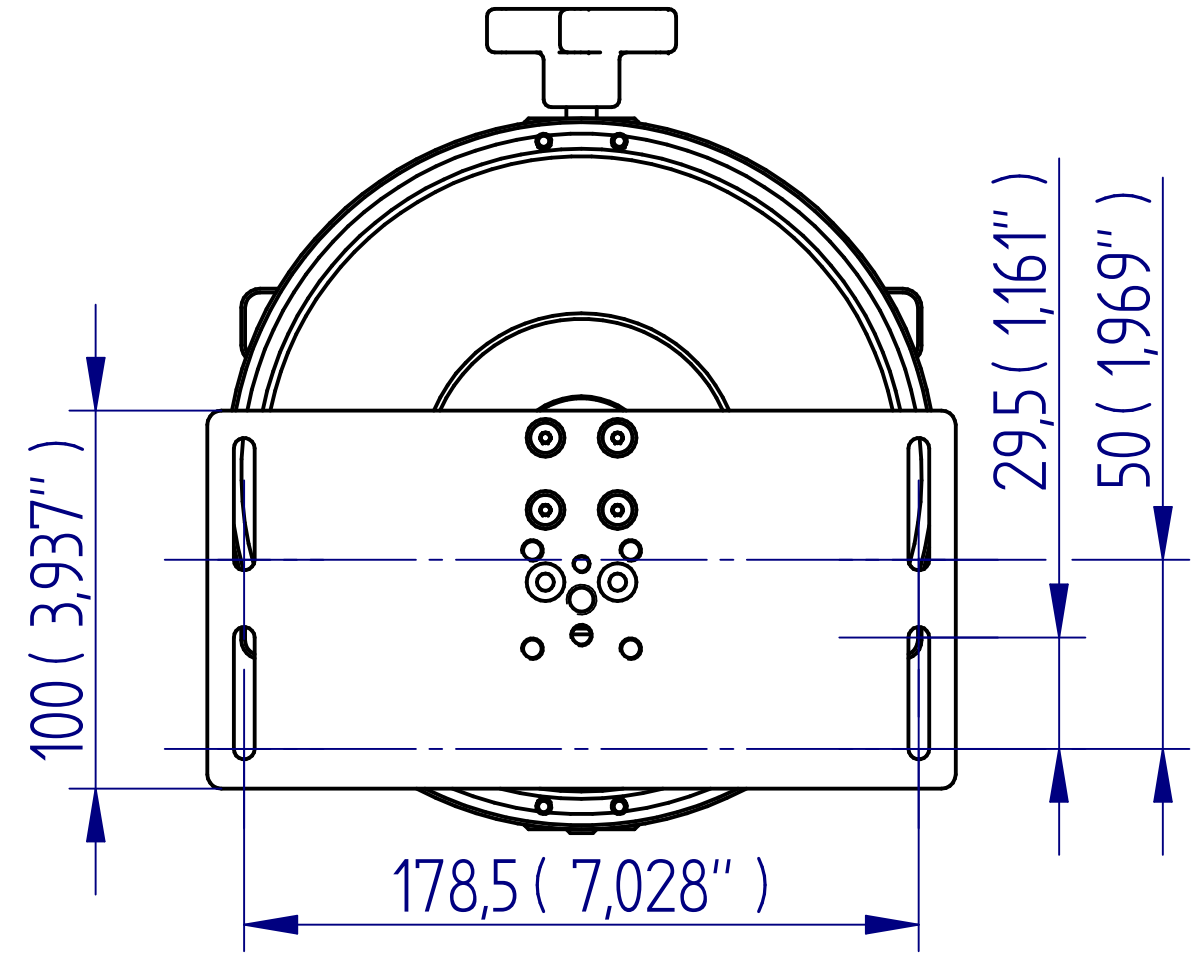
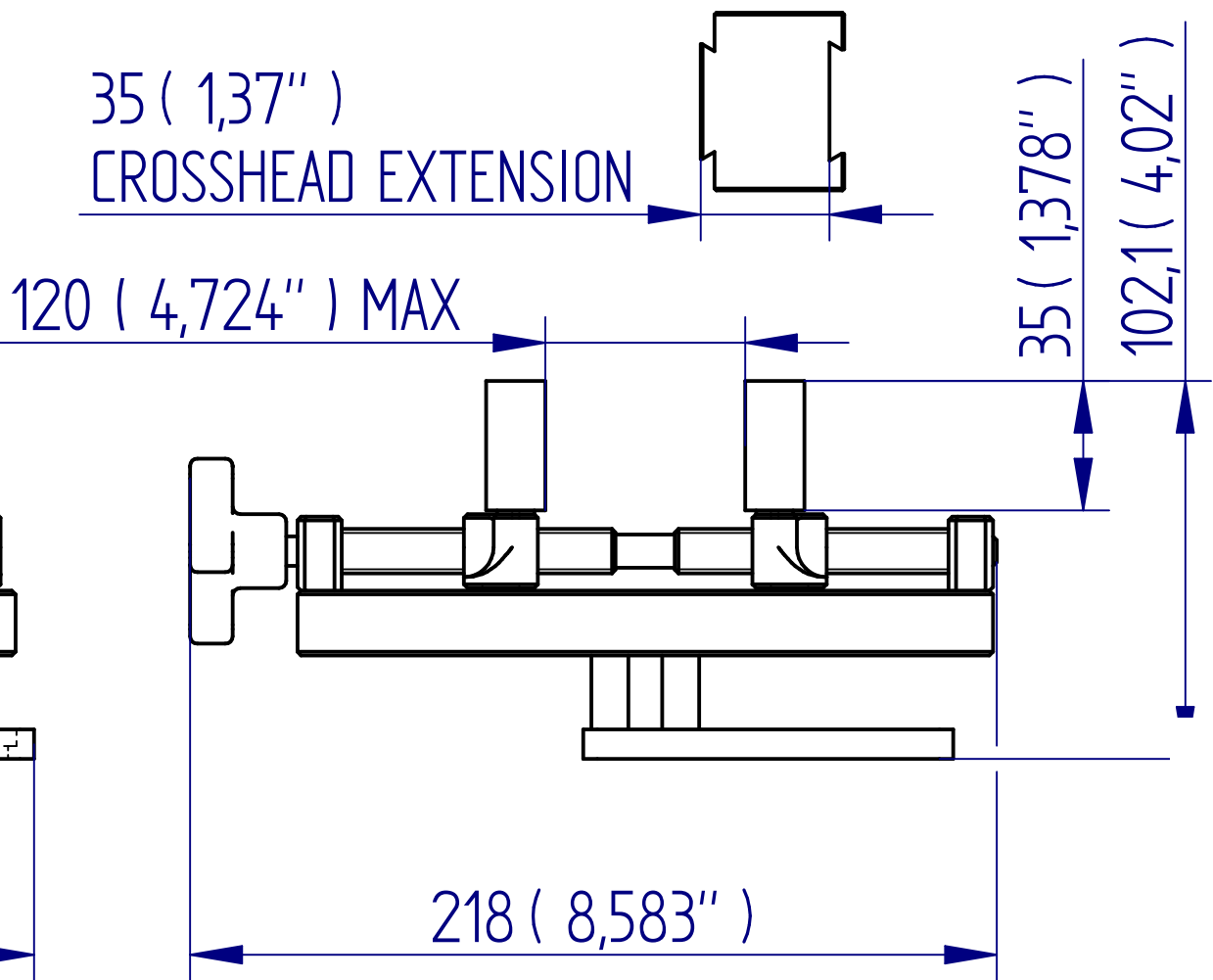
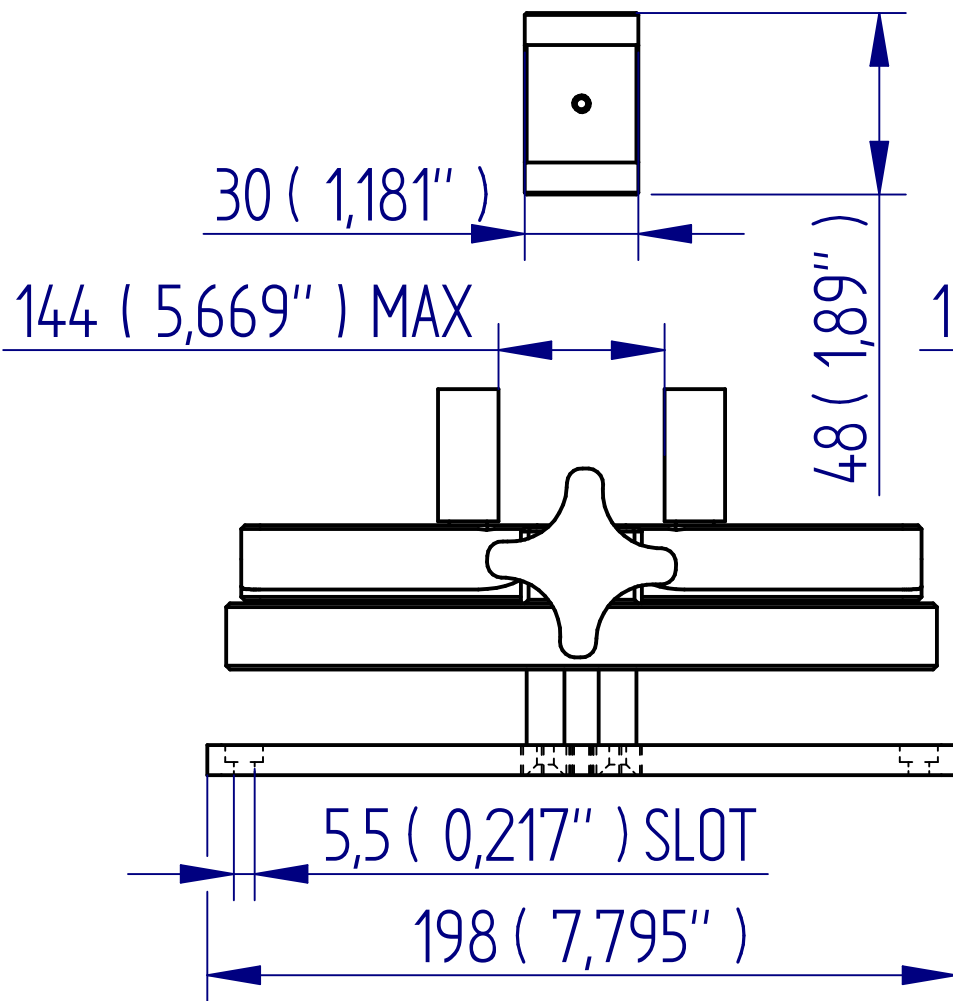


ALL DIMENSIONS ARE IN MILLIMETRES  
 FOLLOWED BY INCHES: MM ( IN" )



432-411 Container Holder (10-190mm)

1:2 @ A3

