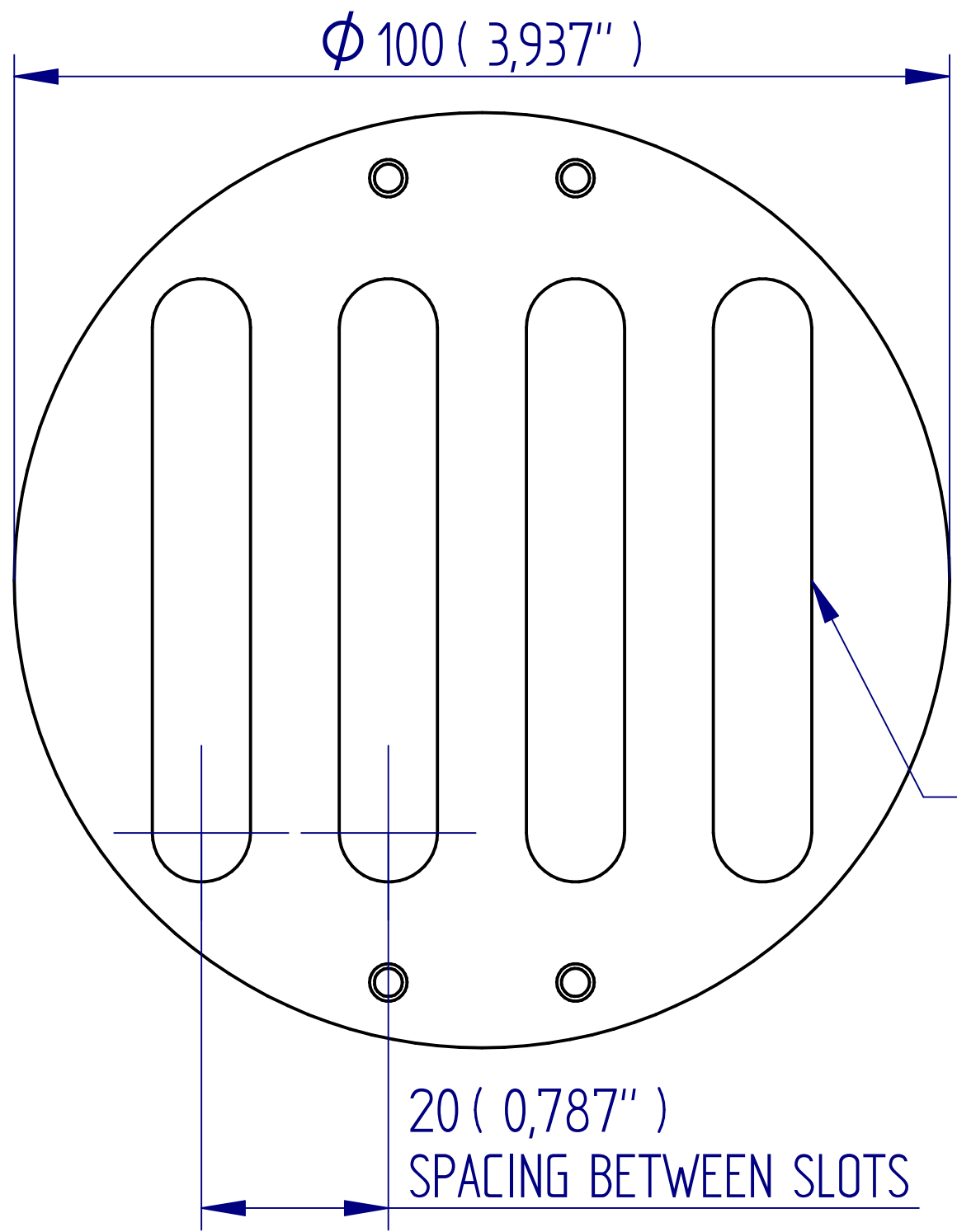
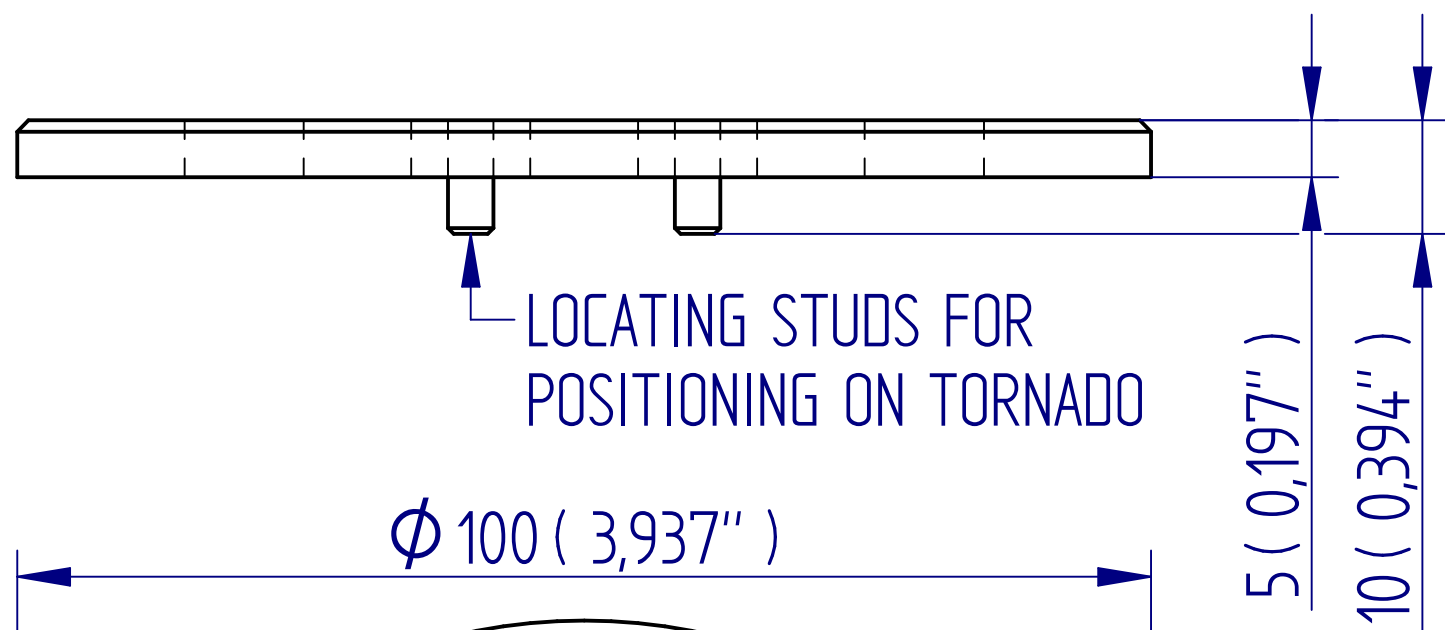


ALL DIMENSIONS ARE IN MILLIMETRES
FOLLOWED BY INCHES: MM (IN")



10,5 x 54 (0,413 X 2,126")
SLOTS FOR TORNADO PEGS



432-407 Saddle Plate for Tornado

2:1 @ A3

