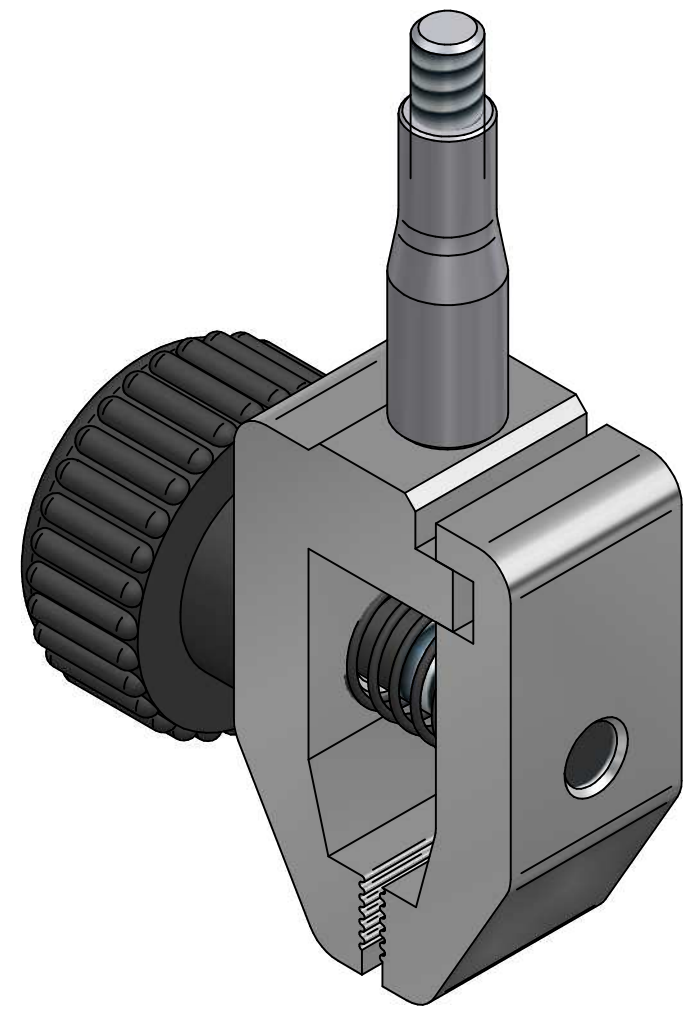
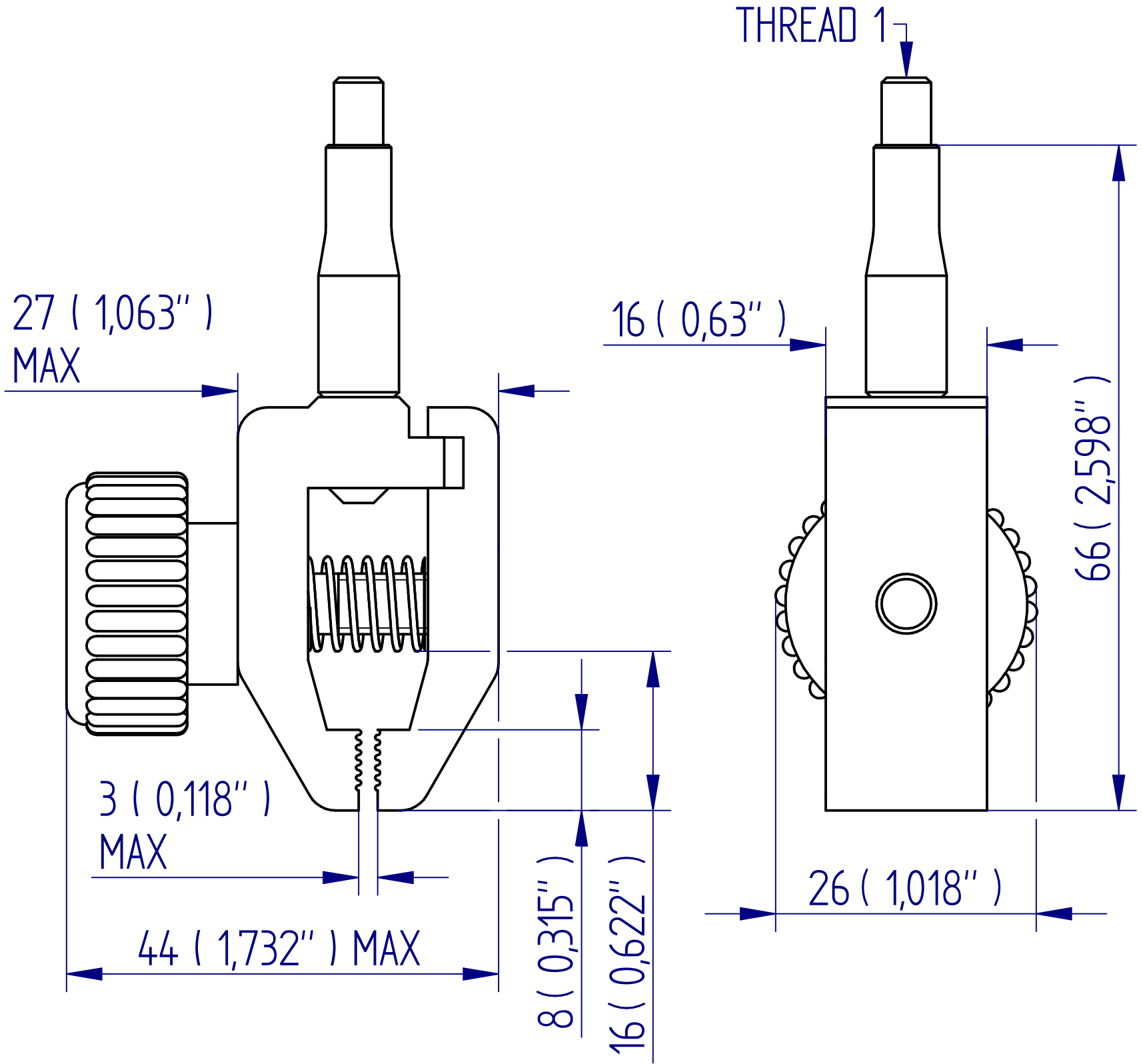


ALL DIMENSIONS ARE IN MILLIMETRES
FOLLOWED BY INCHES: MM (IN")



432-381 Spring Action Vice Clamp

2:1 @ A3

