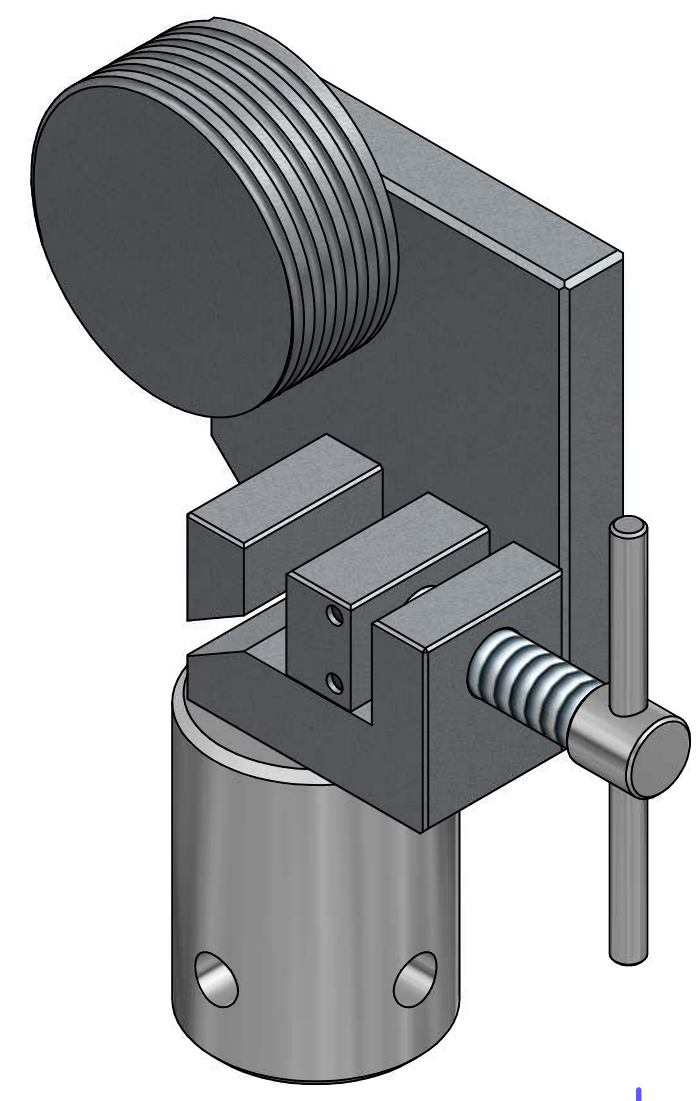
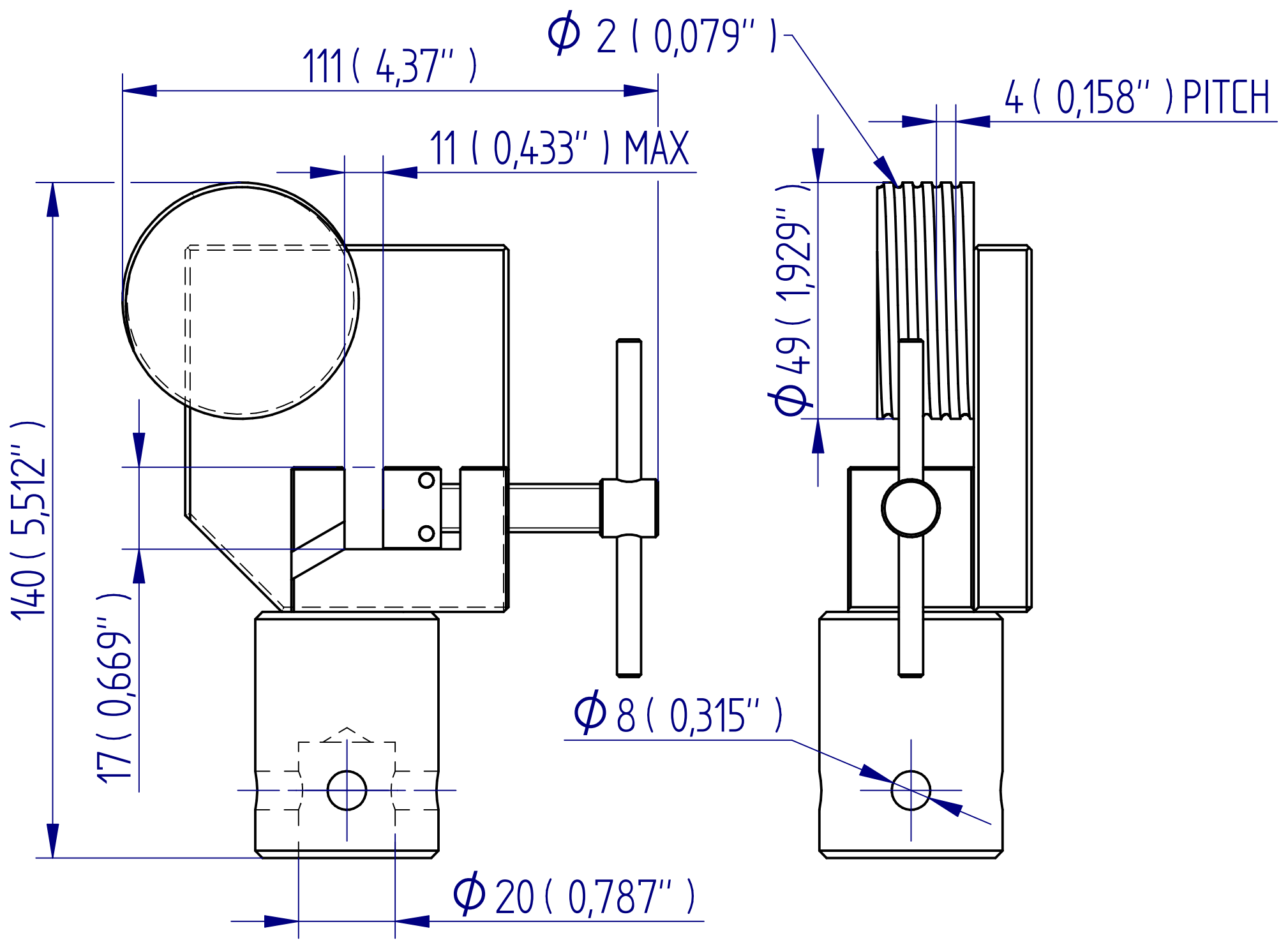


ALL DIMENSIONS ARE IN MILLIMETRES
FOLLOWED BY INCHES: MM (IN")

DRAWING IS INDICATIVE ONLY



432-271 Large Circular Bollard Grip

1:1 @ A3

