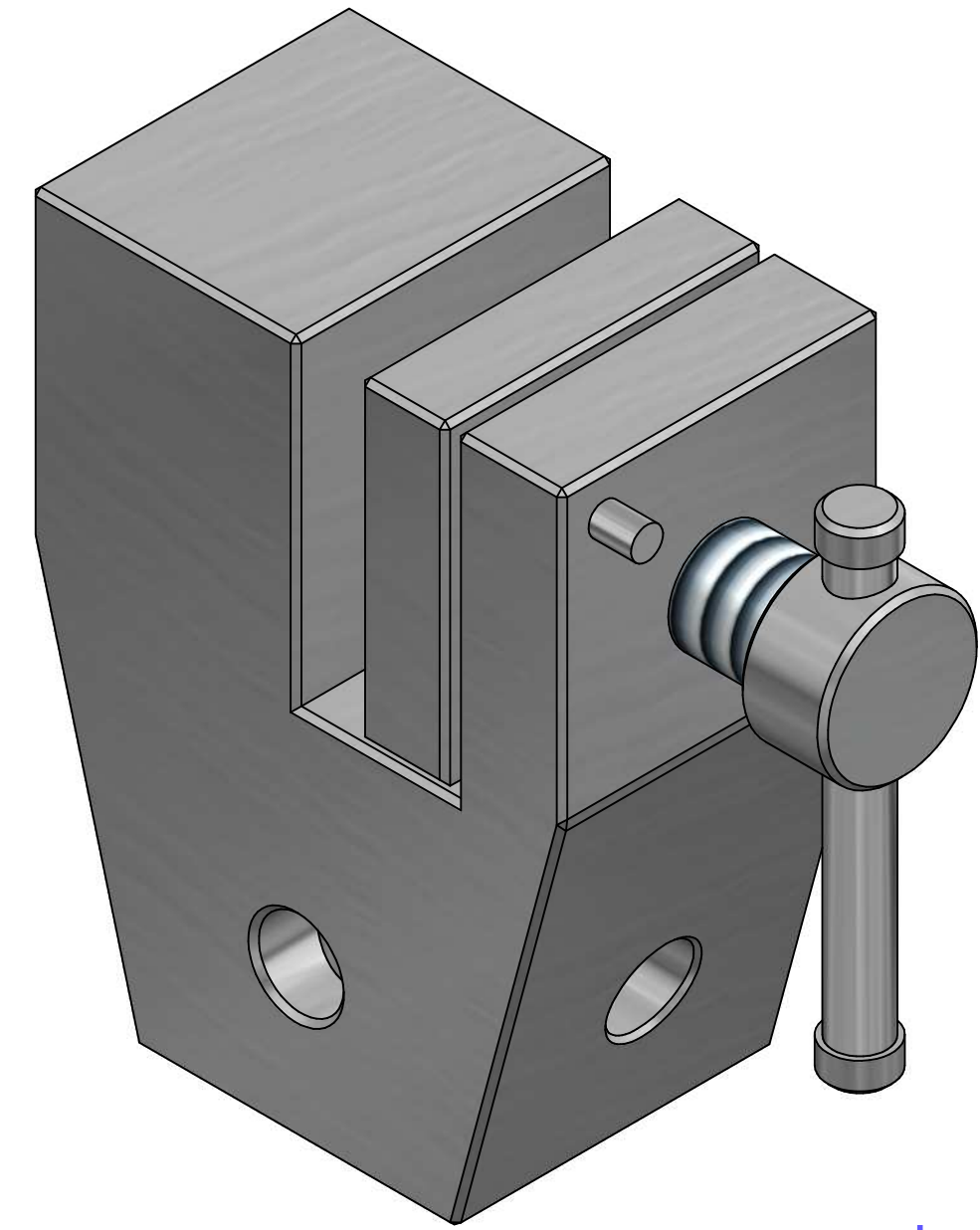
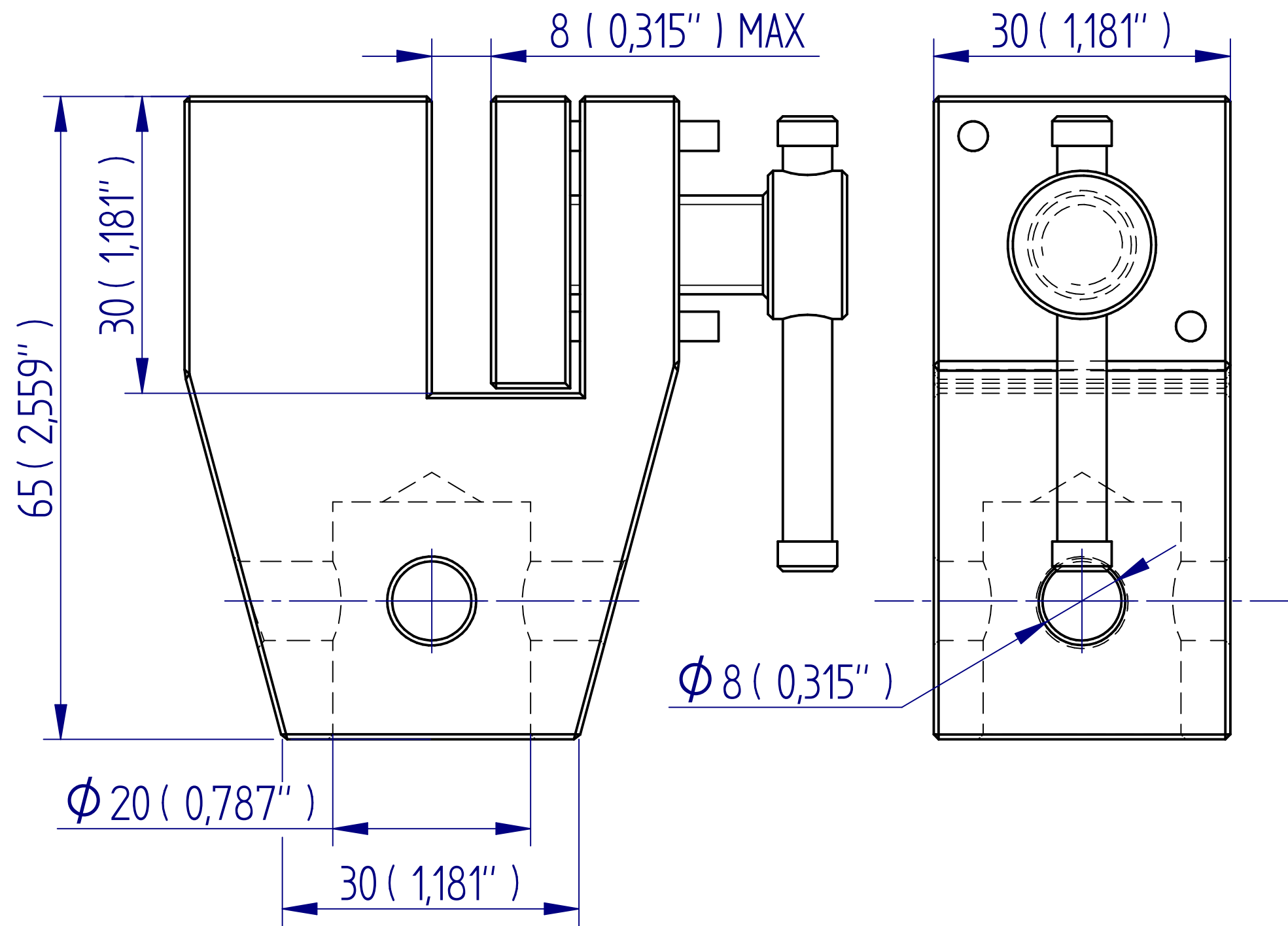


ALL DIMENSIONS ARE IN MILLIMETRES
FOLLOWED BY INCHES: MM (IN")

DRAWING IS INDICATIVE ONLY



432-264 Small Sgl Act Vice Grip

2:1 @ A3

