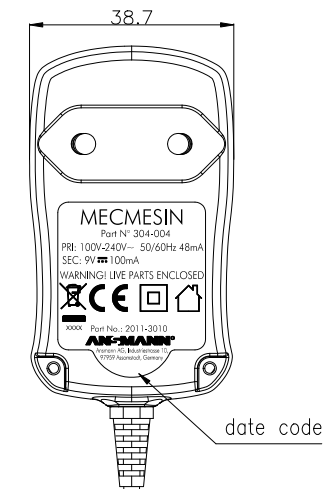
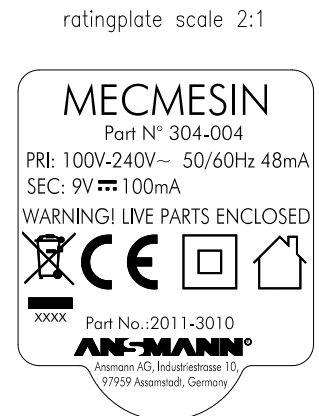
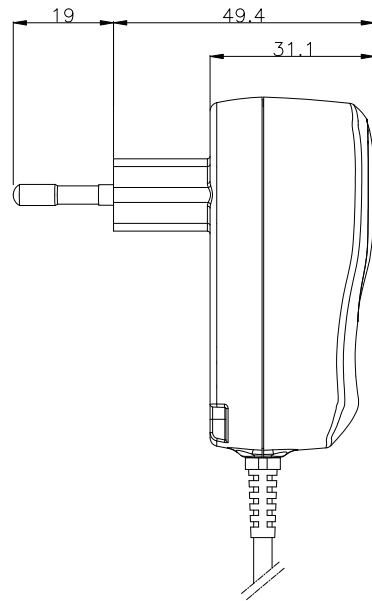
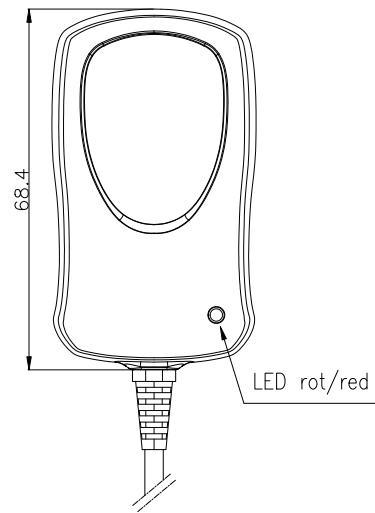
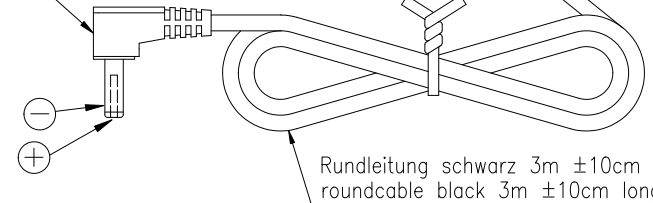


The supplier acknowledges that, with the acceptance of the drawing, he is in a position to manufacture the illustrated part in accordance with the drawing in reproducible form and series production. Through the selected manufacturing processes or materials, all errors in the material and structure which could subsequently lead to an impairment of the component. These agreements cover and define the entire valid deviation from this part must be written and must be signed by the purchaser.



Winkelhohlstecker/
90° angle hollow-plug
ø1,35xø3,5x11mm±0,25mm



Rundleitung schwarz 3m ±10cm lang geschirmt/
roundcable black 3m ±10cm long with shield

Technische Daten/ technical data	: Steckerladegerät/ plug-in charger
Chemie/ chemistry	: NiMH/NiCd
Zellenzahl/ no. of cells	: 5 Zellen/ cells
ladbare Kapazität/ loadable capacity	: min. 700mAh max. ----mAh
Eingangsspannung/ input voltage	: 100V...240VAC ±10% / 50/60Hz
Eingangs-Schutz/ primary electrical protection	: Sicherung T1.6A/ fuse
Leistungsaufnahme im Leerlauf/ stand-by power consumption	: ca./ approx. 0.2W
Nenn-Leistungsaufnahme/ nominal power consumption	: ca./ approx. 3W
Ableitstrom/ Leakage current	: ---
Ausgangsspannung im Leerlauf/ no load output voltage	: 14...16VDC
Nennausgangsspannung/ nominal output voltage	: 9VDC (5 Zellen/ cells)
Nennladestrom/ nominal charge current	: 100mA ±10% Konstantstrom/ constant current - 0V...9V
Ausgangs-Schutz/ secondary electrical protection	: elektronisch gegen Kurzschluss, mechanisch gegen Verpolung/ electronical against short circuit, mechanical against wrong polarity
Akku-Vollerennung/ battery full detection	: ---
Sicherheitstimer/ safety timer	: ---
Spannungsfestigkeit/ electric strength	: 4 kV Eingang/Ausgang primary/secondary
Schutzklasse/ protection class	: II
Betriebstemperatur/ operating temperature	: 0°C...+25°C
Lagertemperatur/ storage temperature	: -25°C...+70°C

Nettogewicht/ net weight	: 110g
Gehäuse/ case	: Steckergehäuse, schwarz, Typ/ 3A03 plug-in housing, black, type
Gehäusematerial/ case material	: ABS plastic
Leiterplattenmaterial/ pcb material	: CEM1
Schutzart/ case protection	: IP 20
Typenschild Vorderseite/ ratingplate front	: ---
Typenschild Rückseite/ ratingplate back	: schwarzer Aufkleber mit weißer Bedruckung/ black label with white printing
Anleitungen/ instructions	: ---
Approbationen/ approvals	: CE
Normen/ standards	: IEC/EN 60335-1, IEC/EN60335-2-29
Anzeigen/ indicators	: Betriebsanzeige LED rot power indicator LED red

Application range for inquiry IS-2014-00703		Allowable deviation general tolerances		Surface	Model:	Material:	
		DIN ISO 2768-m			Scale (DIN A2): 1:1	All dimensions in mm	
		2015	Date	Name	Drawing name		
		Drawn by	07.10.	SK	plug-in charger 9V/100mA		
		Approved by					
V1	label corrected	22.09.16	HM	Drawing number		Sheet	
V0	ratingplate updated	17.03.16	SK	Part number		2011-3010	
V0	---	07.10.15	SK			1/1	
Version	Change	Date	Name	Project: IS-2014-00703	Replaced by:	Replacement through:	

This drawing may not be copied, reproduced or made available to third parties in any way whatsoever without our prior written approval.