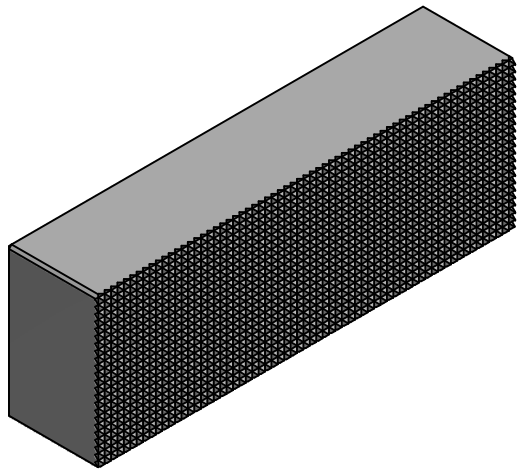
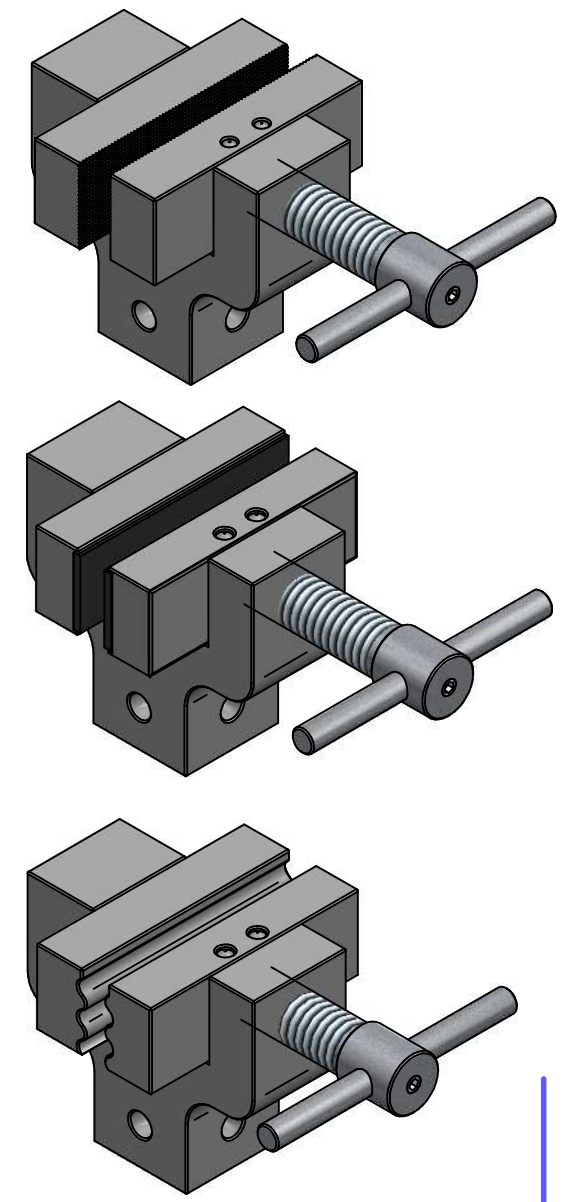
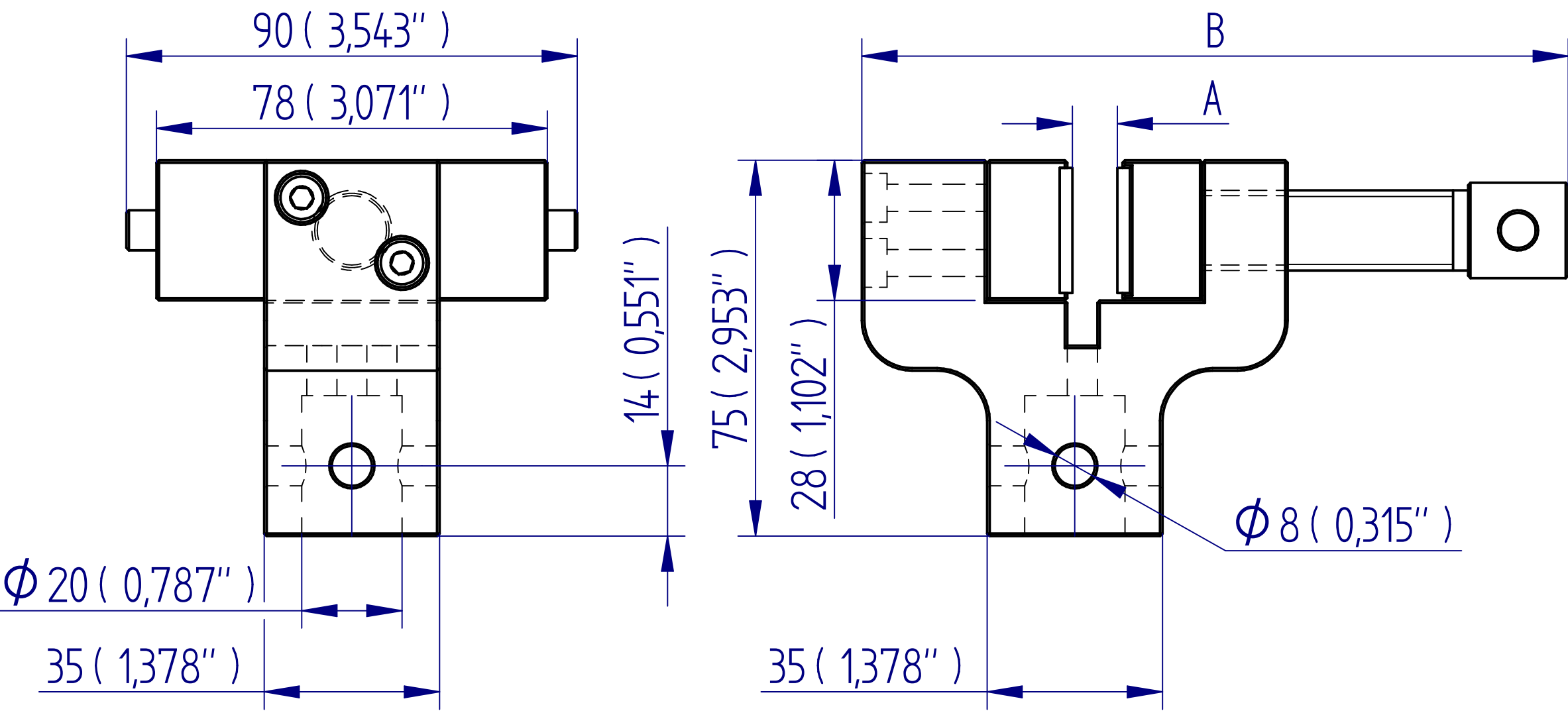
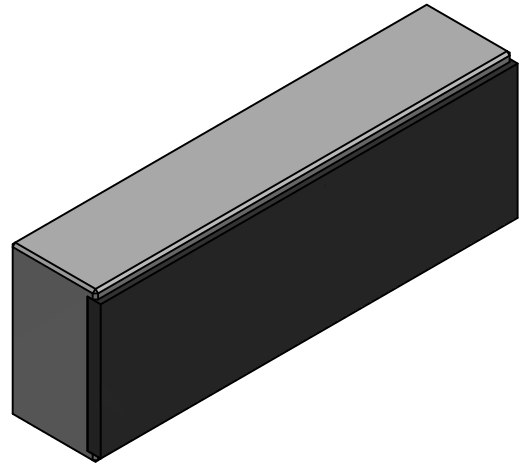


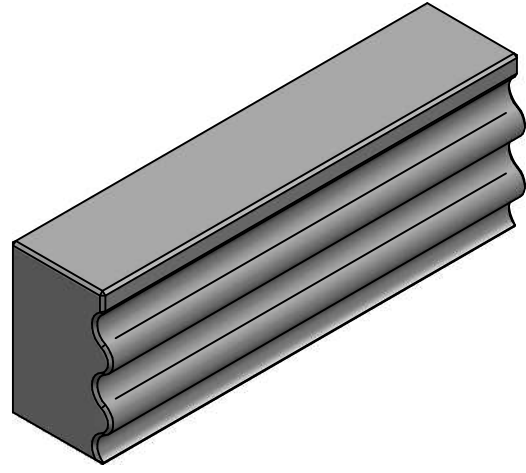
ALL DIMENSIONS ARE IN MILLIMETRES
 FOLLOWED BY INCHES: MM (IN")



JAW PROFILE FOR
 432-267



JAW PROFILE FOR
 432-267-V01



JAW PROFILE FOR
 432-267-V02

DRAWING APPLIES TO PT NO:
 432-267
 432-267-V01
 432-267-V02

432-267-XXX Lrg Sgl Actn Vice Grip

1:1 @ A3

