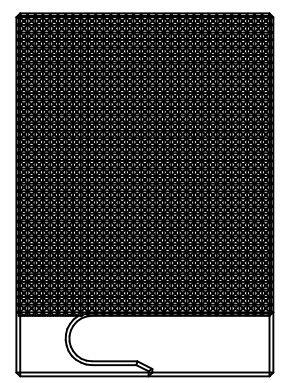
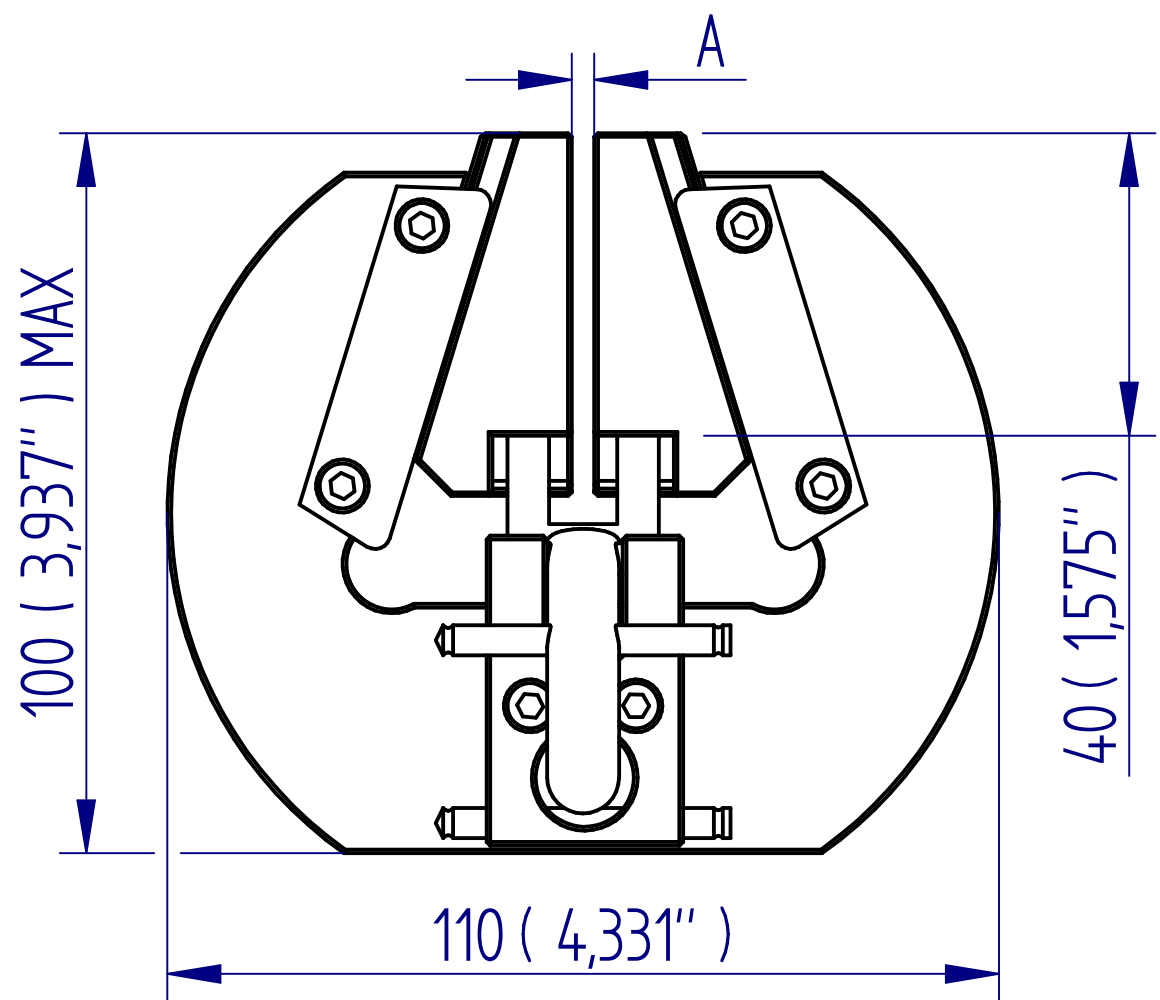
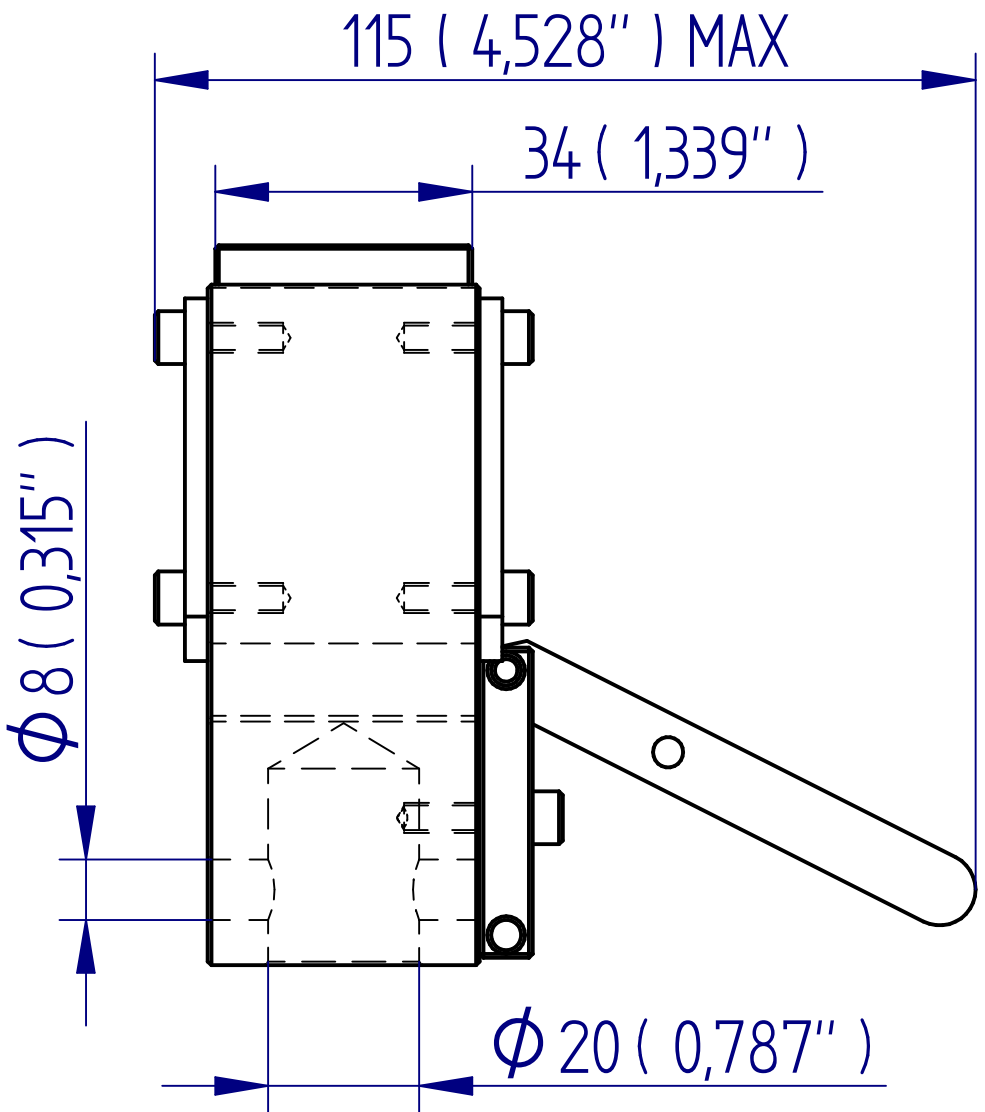
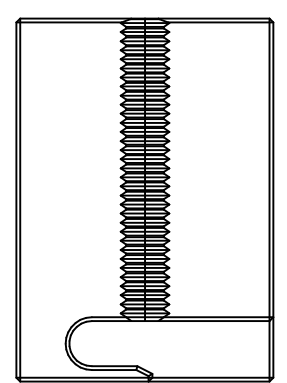


ALL DIMENSIONS ARE IN MILLIMETRES  
FOLLOWED BY INCHES: MM ( IN" )

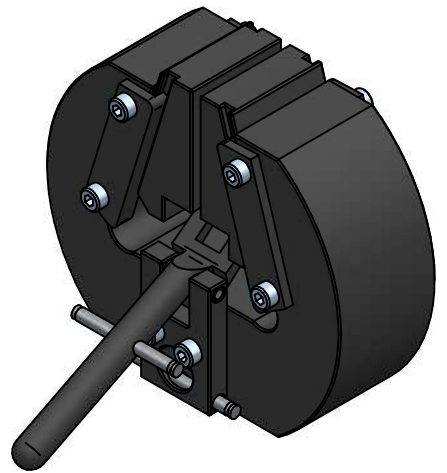


432-460  
PYRAMID JAWS  
FOR FLAT SAMPLES



432-461  
'V' JAWS  
FOR ROUND SAMPLES  
3-9 MM DIAMETER

NOTE:  
JAWS MUST BE  
ORDERED SEPARATELY



DRAWING APPLIES TO PT NO:  
432-459,460,461

1:1 @ A3

432-XXX Wedge Grip and Jaws

Mecmesin  
testing to perfection