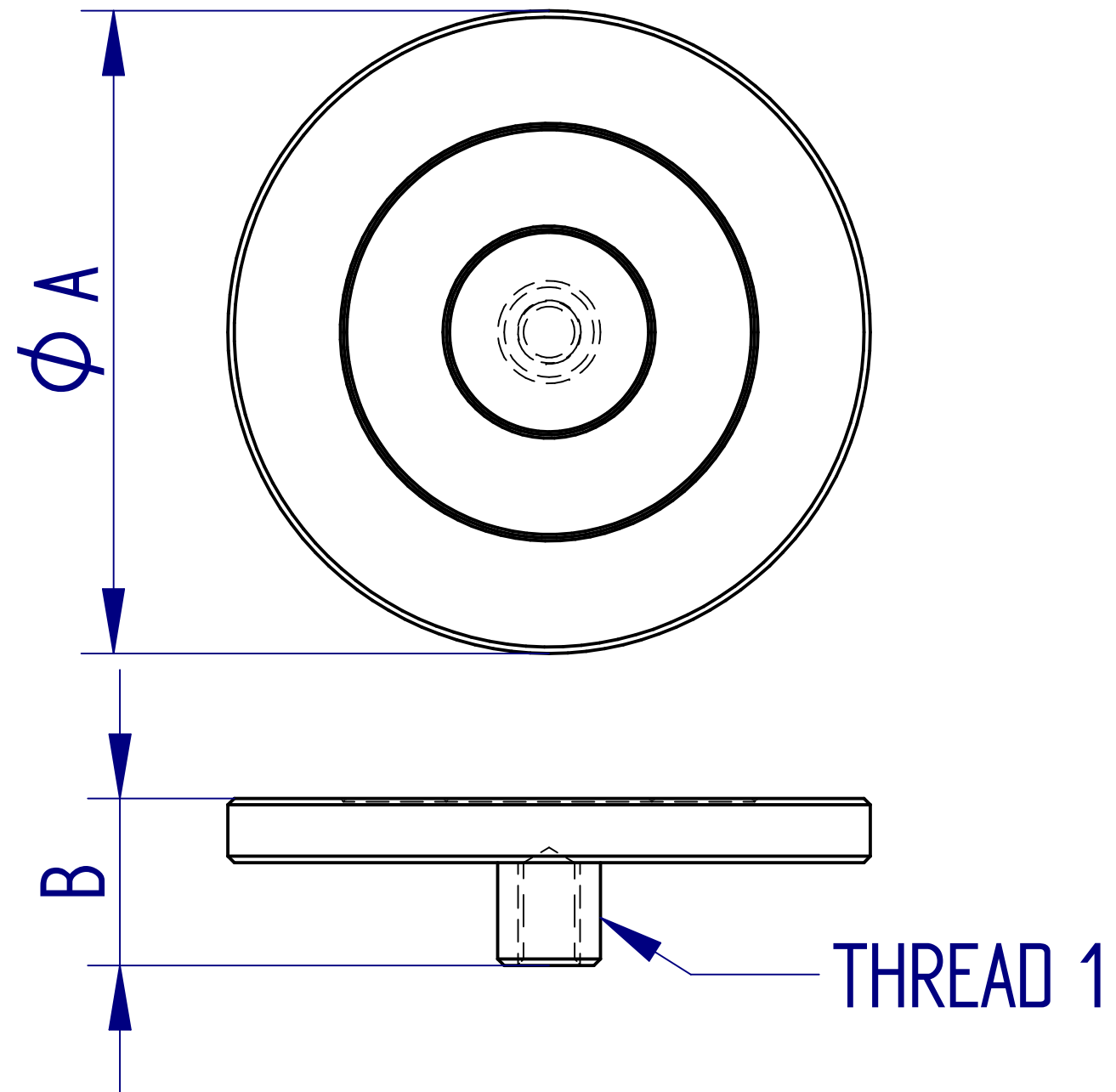


ALL DIMENSIONS ARE IN MILLIMETRES
FOLLOWED BY INCHES: MM (IN")



432-XXX Nickel Plated Compression Plates

DRAWING APPLIES TO PT NO:
432-005,119,121,125,188-F95,343,344 2:1 @ A3

