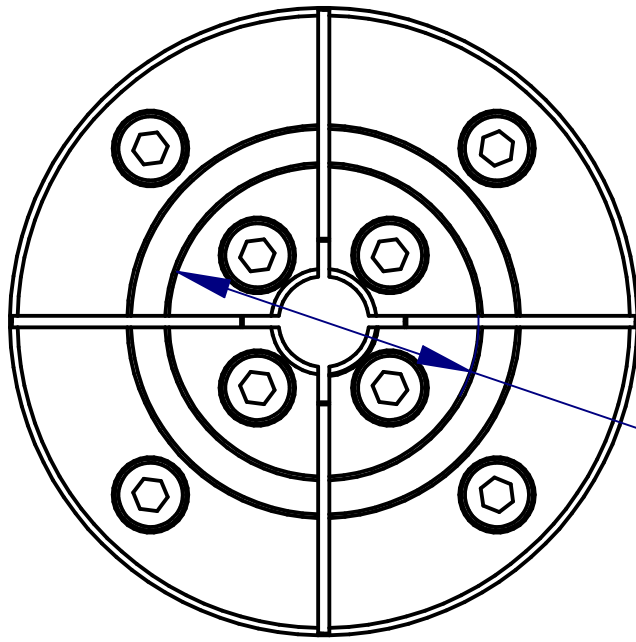
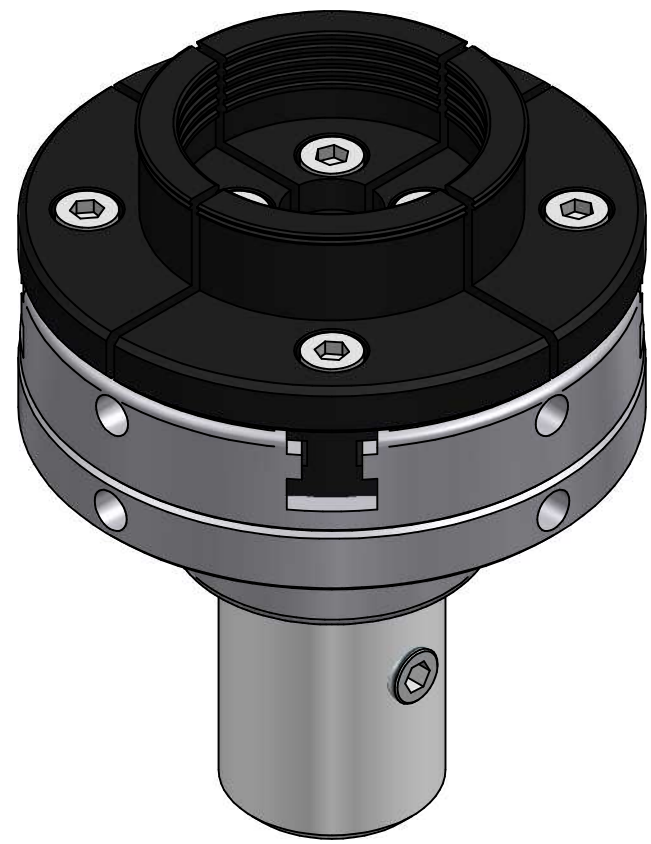
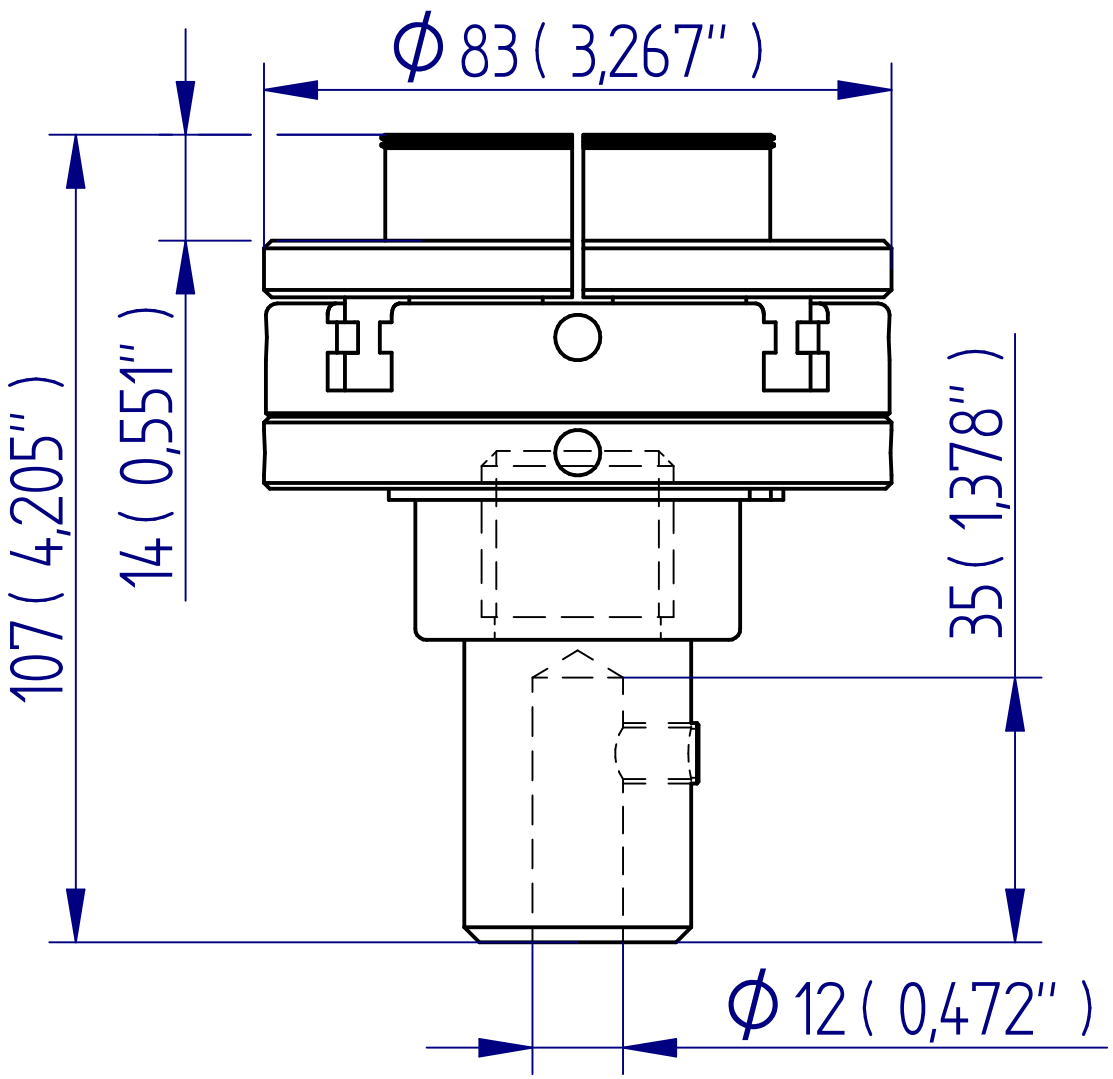


ALL DIMENSIONS ARE IN MILLIMETRES
FOLLOWED BY INCHES: MM (IN")



ϕ 37.5 (1,476") MIN
 ϕ 70 (2,756") MAX



432-445 Lower Chuck Large (Round shaft)

1:1 @ A3

