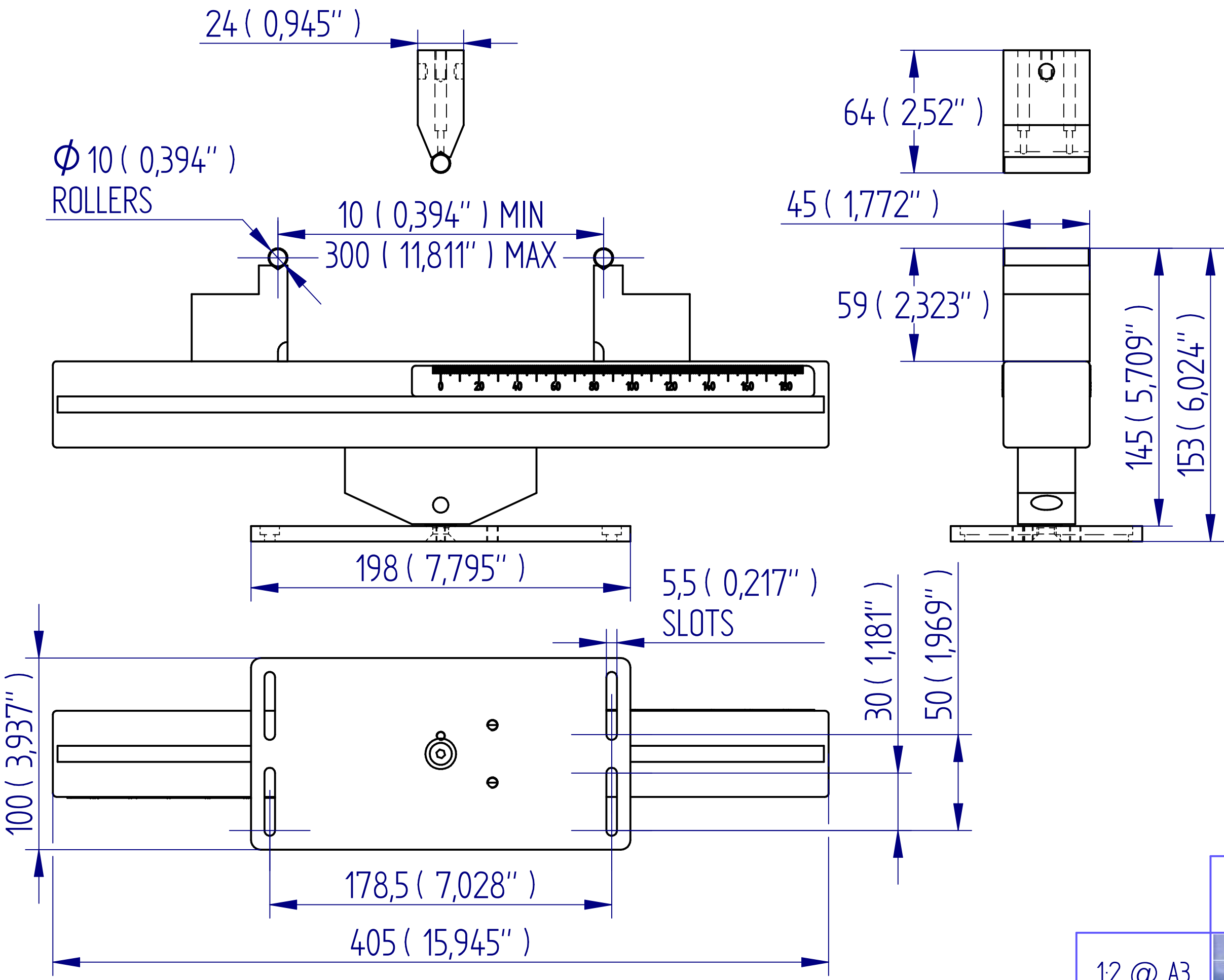
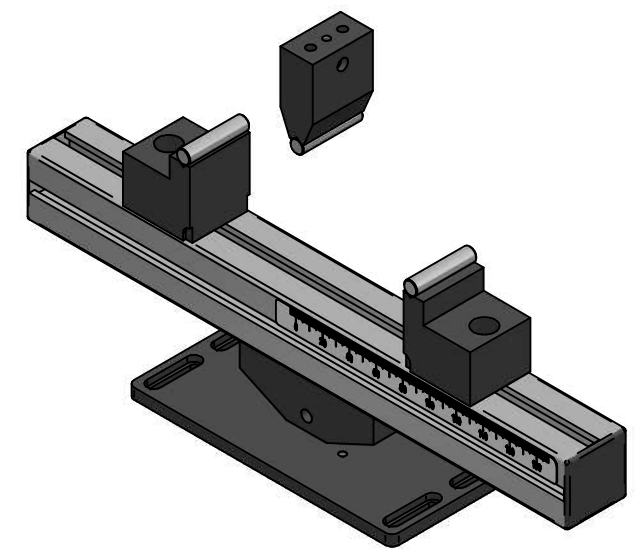


ALL DIMENSIONS ARE IN MILLIMETRES  
FOLLOWED BY INCHES: MM ( IN" )

DRAWING IS INDICATIVE ONLY



432-151 2.5 kN Three Point Bend Jig

**Mecmesin**  
testing to perfection

1:2 @ A3