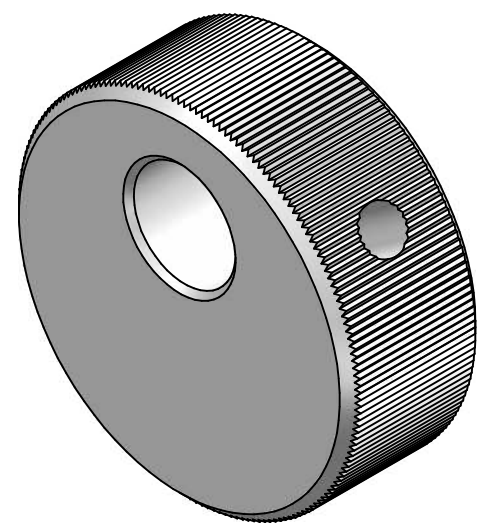
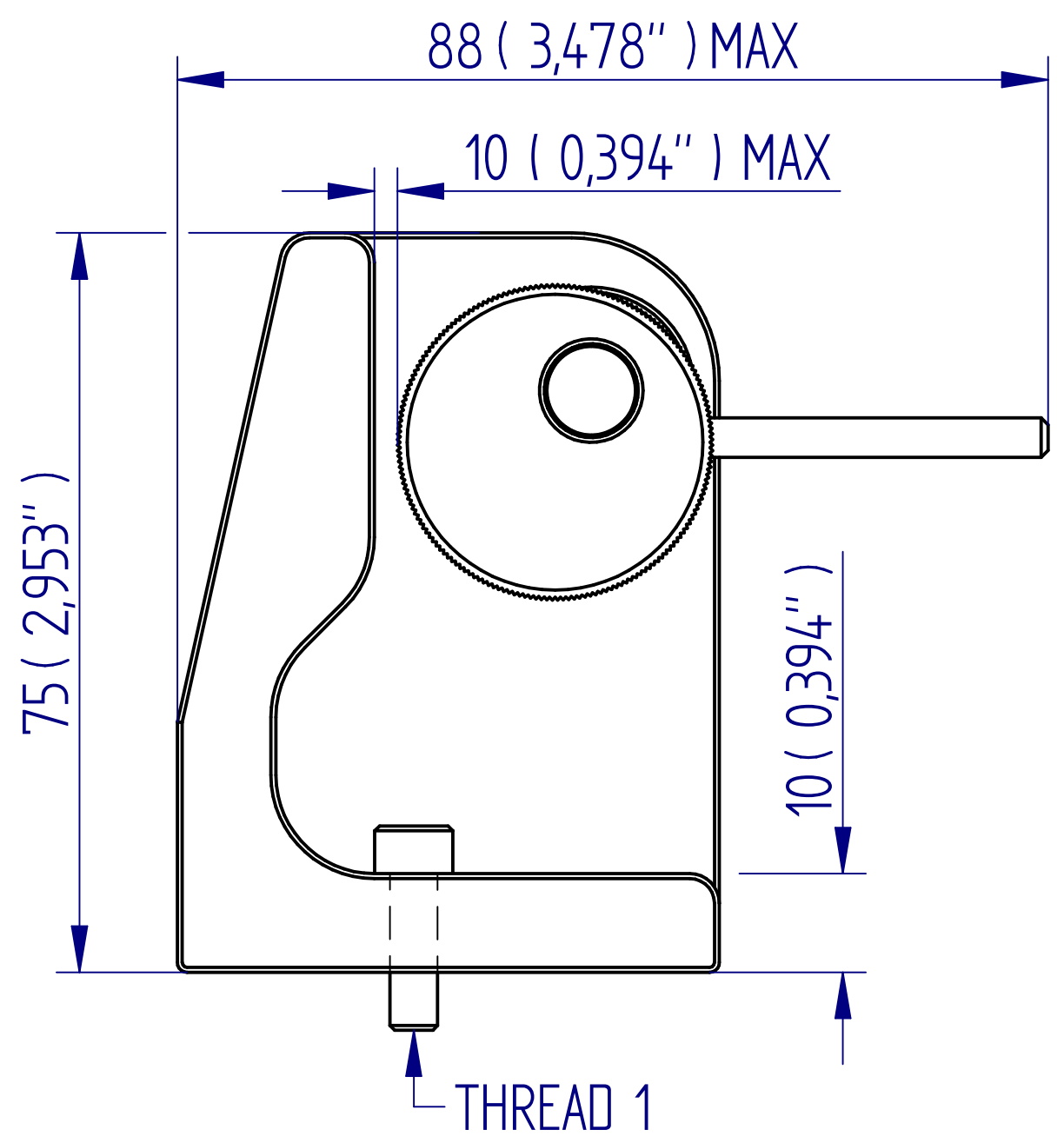
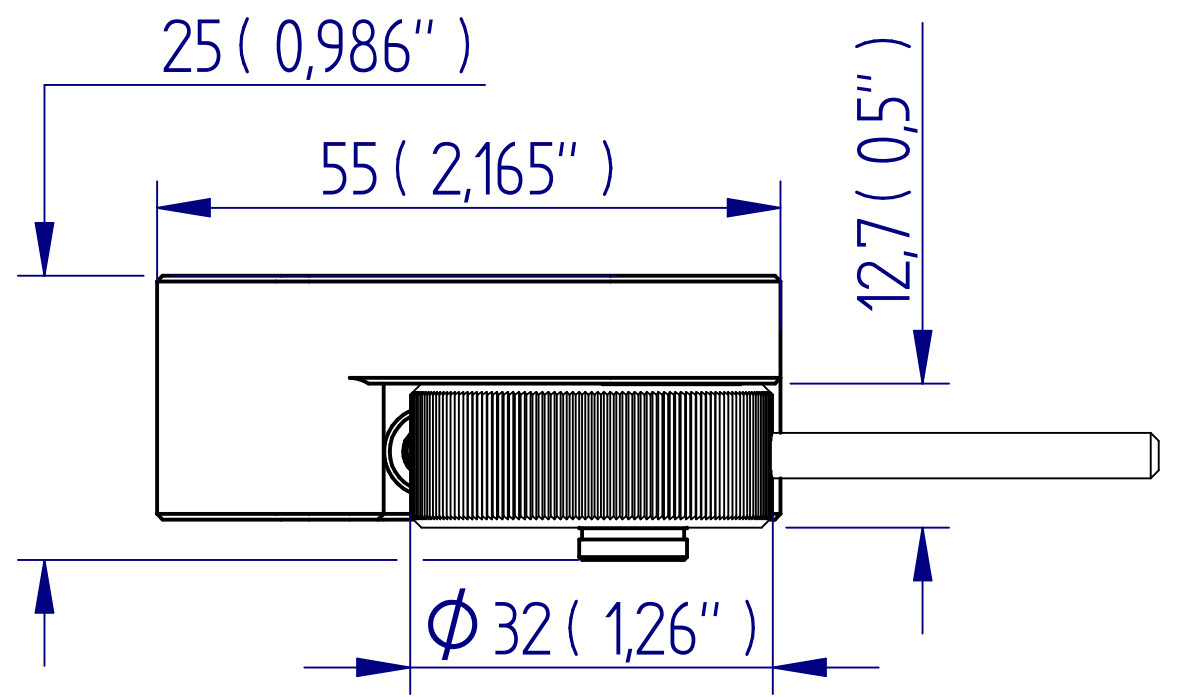
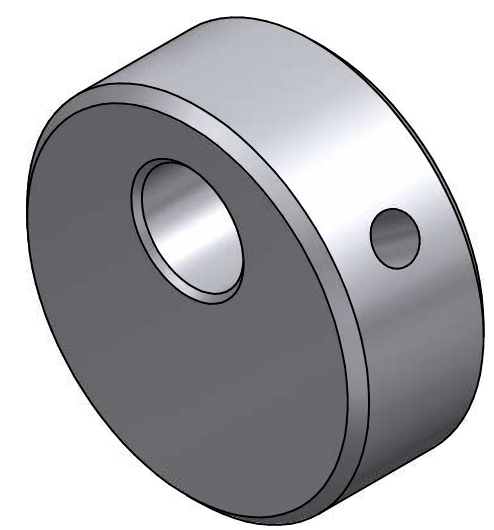


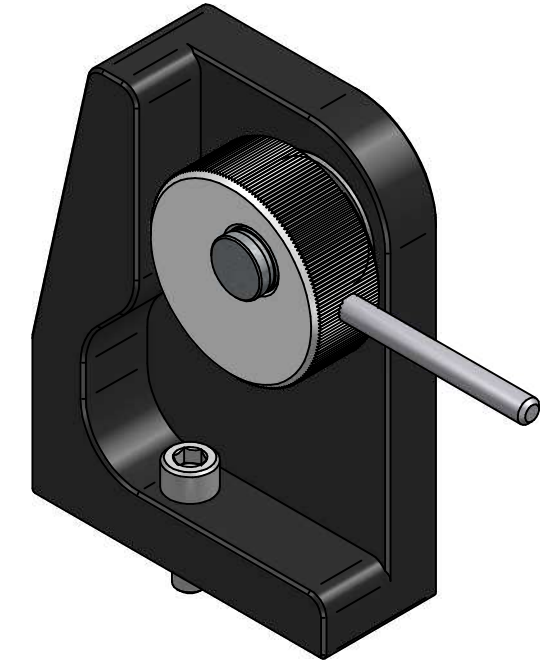
ALL DIMENSIONS ARE IN MILLIMETRES  
FOLLOWED BY INCHES: MM ( IN" )



SERRATED CAM  
USED IN 432-390



SMOOTH CAM  
USED IN 432-404



DRAWING APPLIES TO PT NO:  
432-390 & 432-404

432-XXX Cable Cam Grips

1.5:1 @ A3

