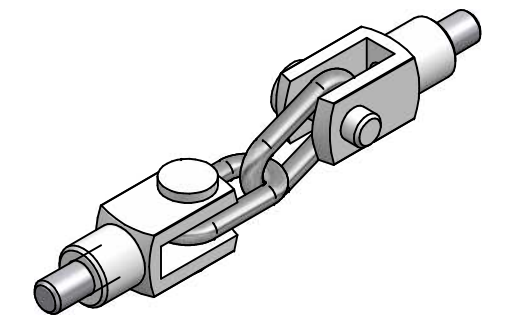
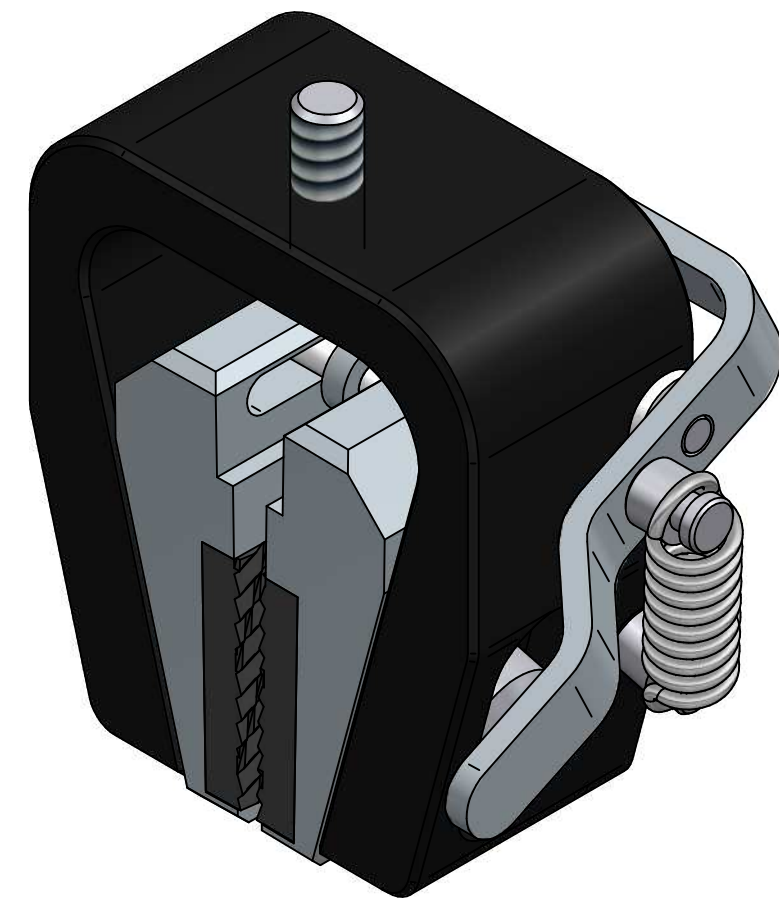
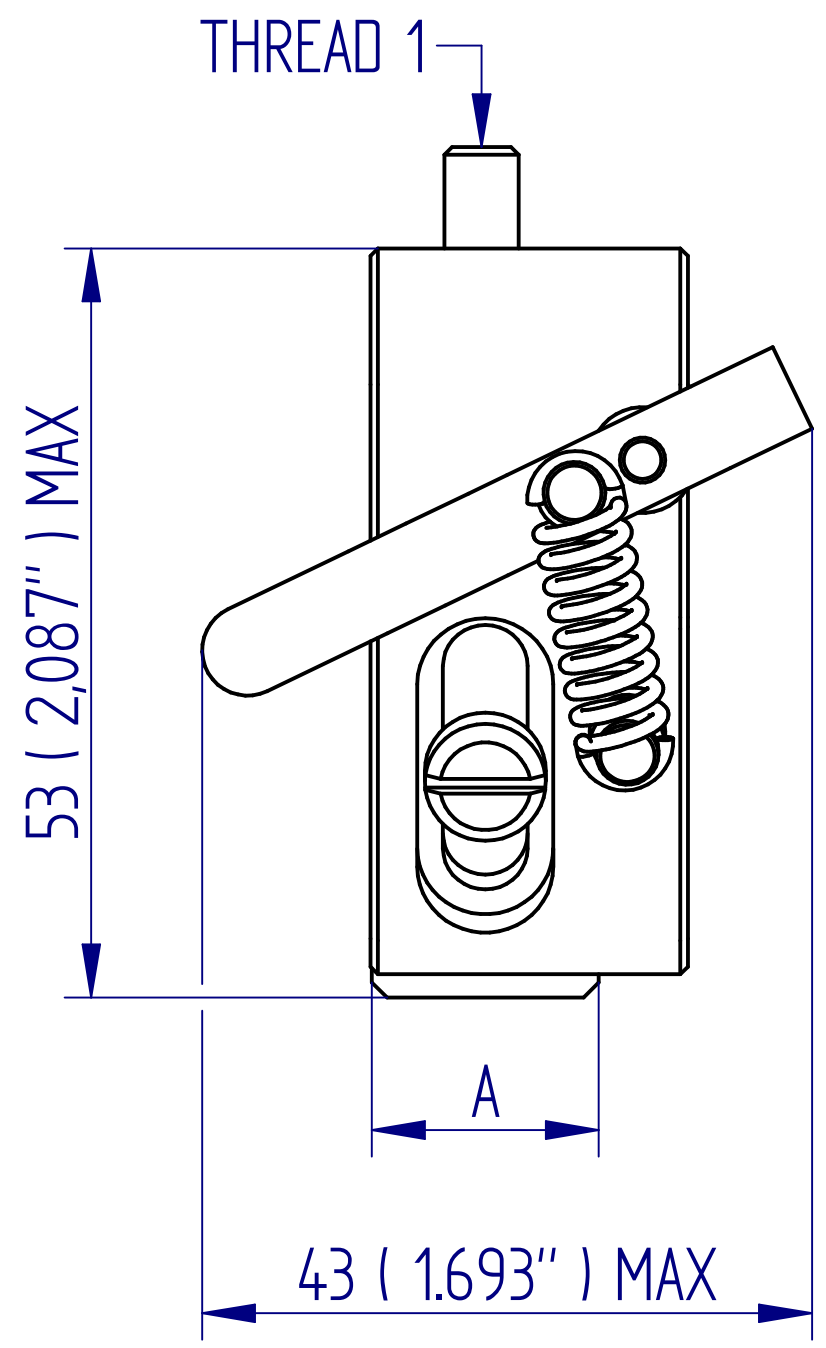
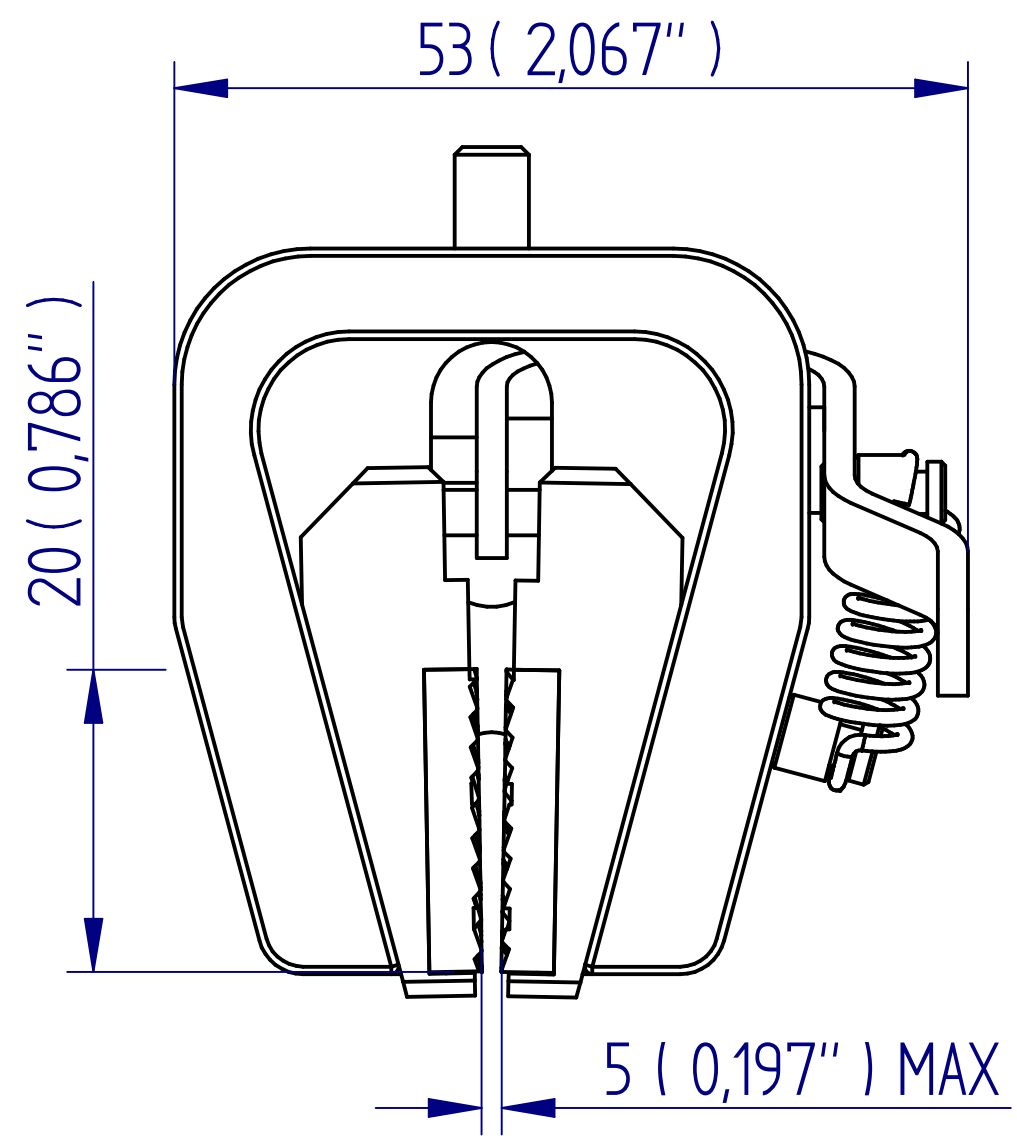


ALL DIMENSIONS ARE IN MILLIMETRES  
FOLLOWED BY INCHES: MM ( IN" )



CHAIN LINK (432-259)  
INCLUDED WITH 432-415

DRAWING APPLIES TO PT NO:  
432-385 & 432-415 2:1 @ A3

432-XXX Wedge Grips

Mecmesin  
testing to perfection