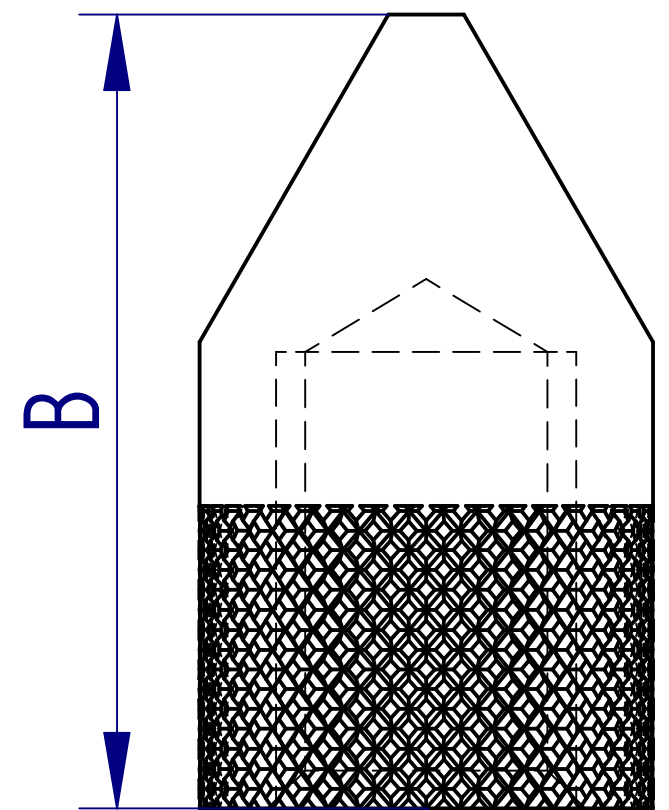
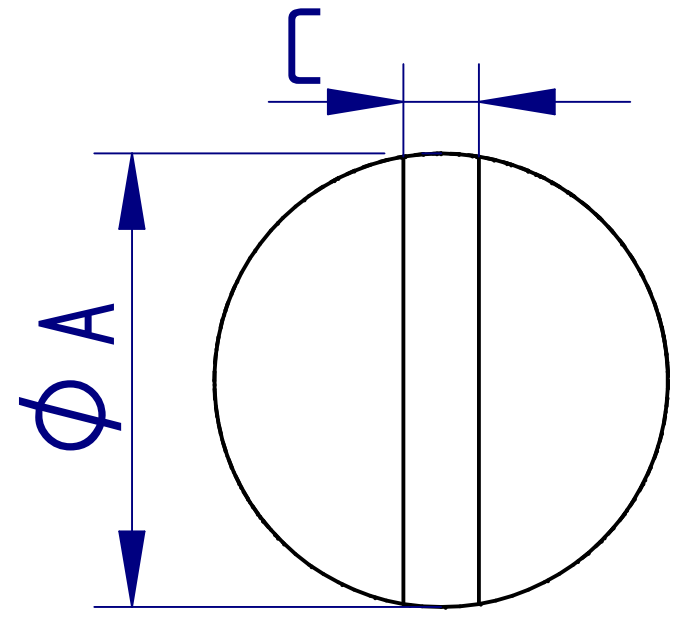


ALL DIMENSIONS ARE IN MILLIMETRES
FOLLOWED BY INCHES: MM (IN")



THREAD 1

DRAWING APPLIES TO PT NO:
432-360 & 432-361 5:1 @ A3

432-XXX Chisel Point Probes

The logo for Meemesisin, featuring the brand name in a bold, sans-serif font with a blue-to-white gradient. Below the name is the tagline "testing to perfection" in a smaller, blue font.