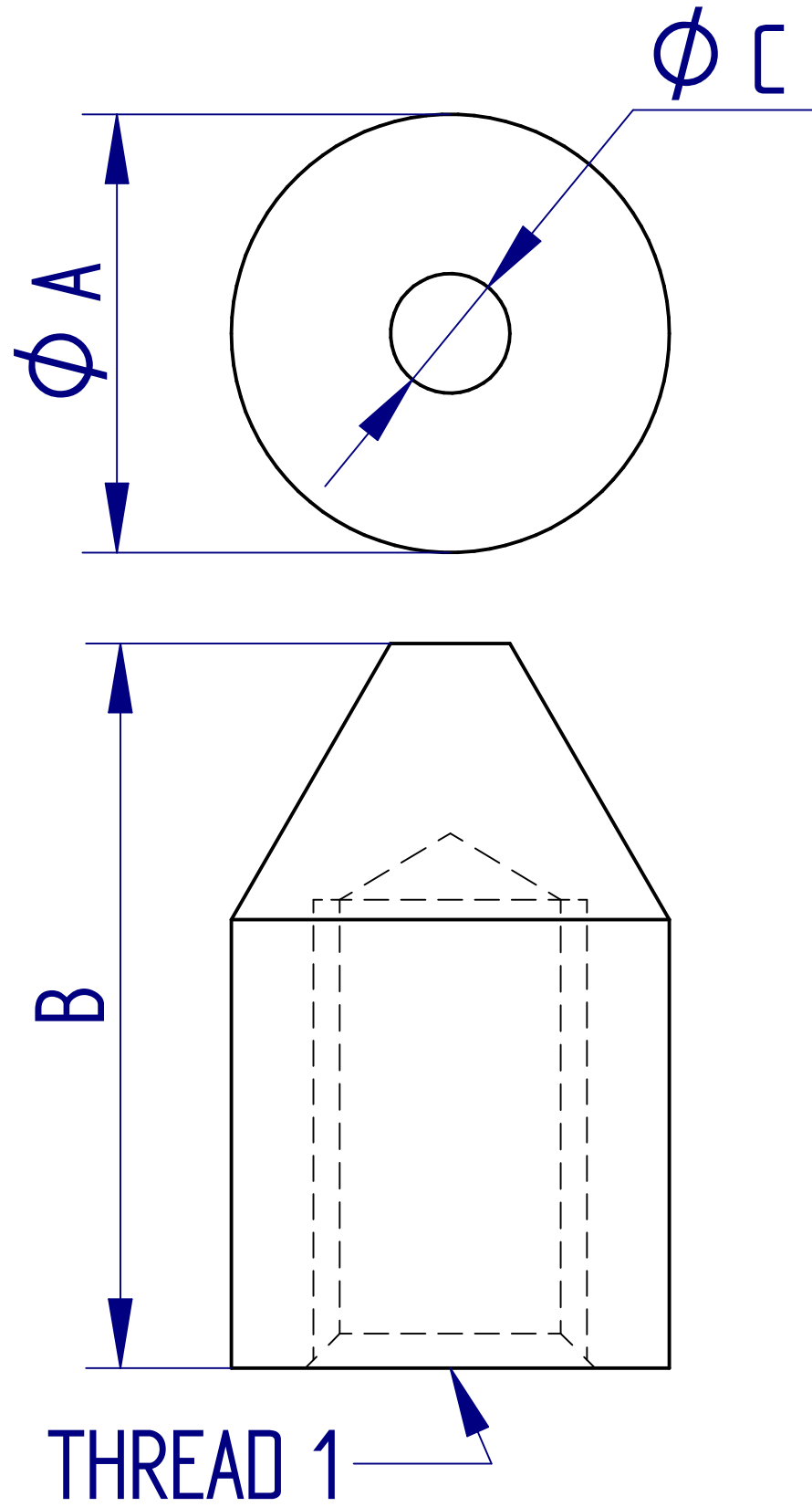


ALL DIMENSIONS ARE IN MILLIMETRES
FOLLOWED BY INCHES: MM (IN")



432-XXX Cone Point Probes

DRAWING APPLIES TO PT NO:
432-358 & 432-359 5:1 @ A3

