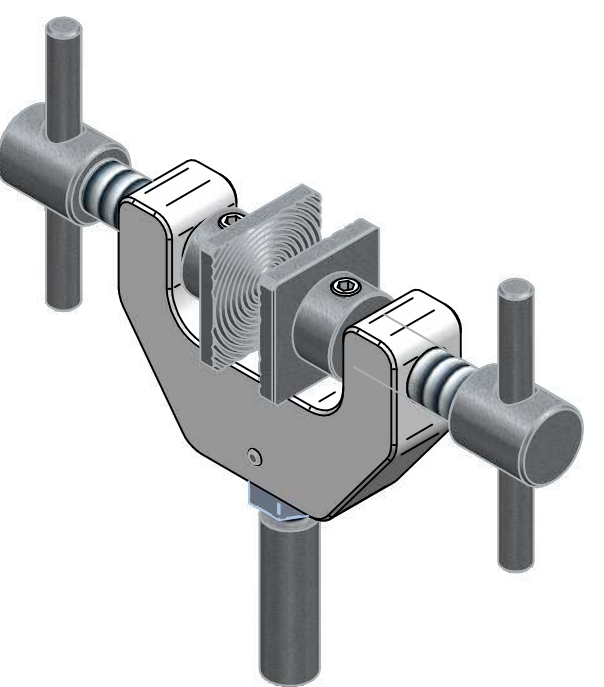
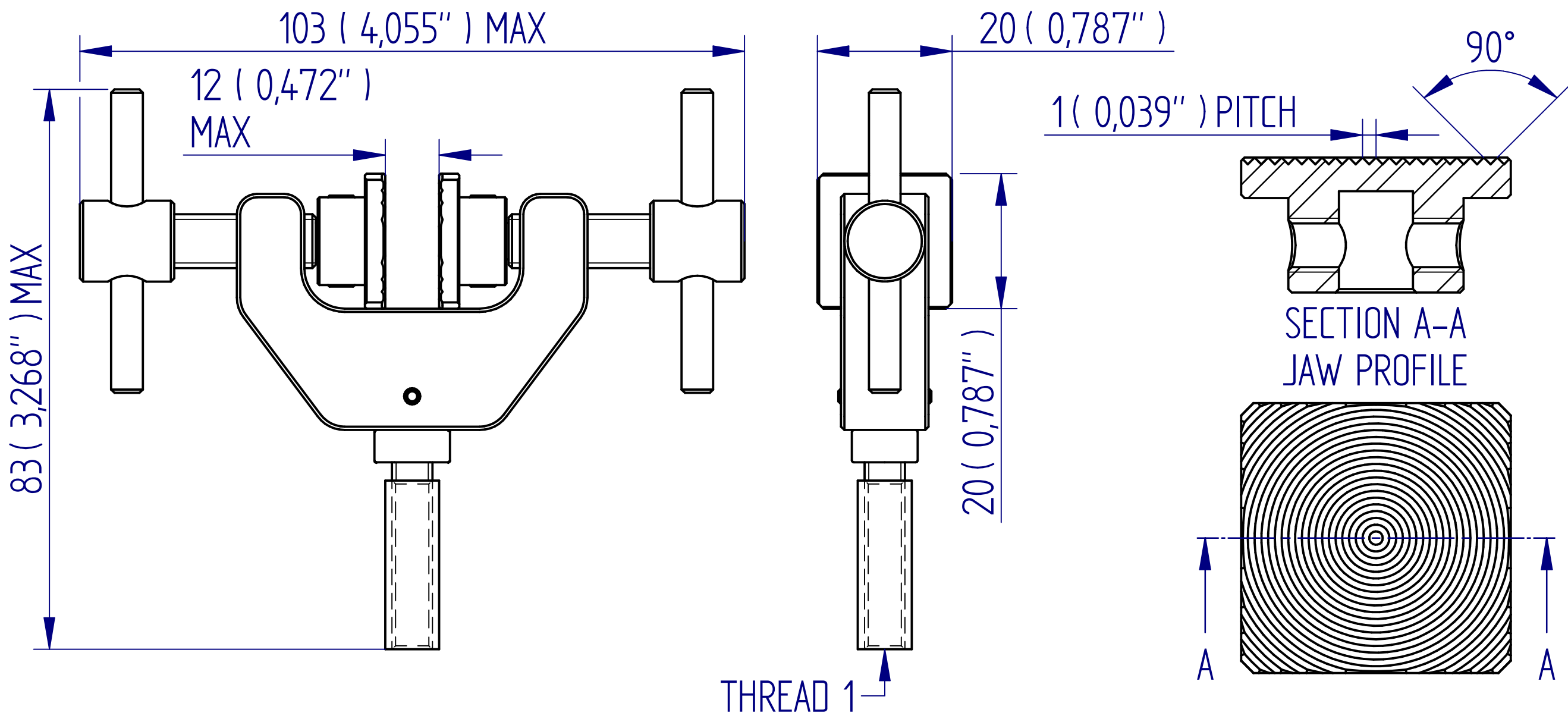


ALL DIMENSIONS ARE IN MILLIMETRES
FOLLOWED BY INCHES: MM (IN")



DRAWING APPLIES TO PT NO:
432-211 & 432-394

3:1 @ A3

432-XXX Small Parallel Grips

Mecmesin
testing to perfection