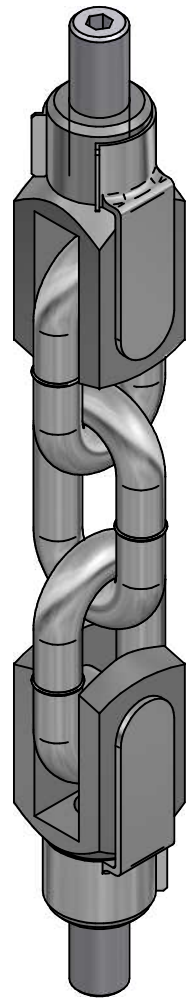
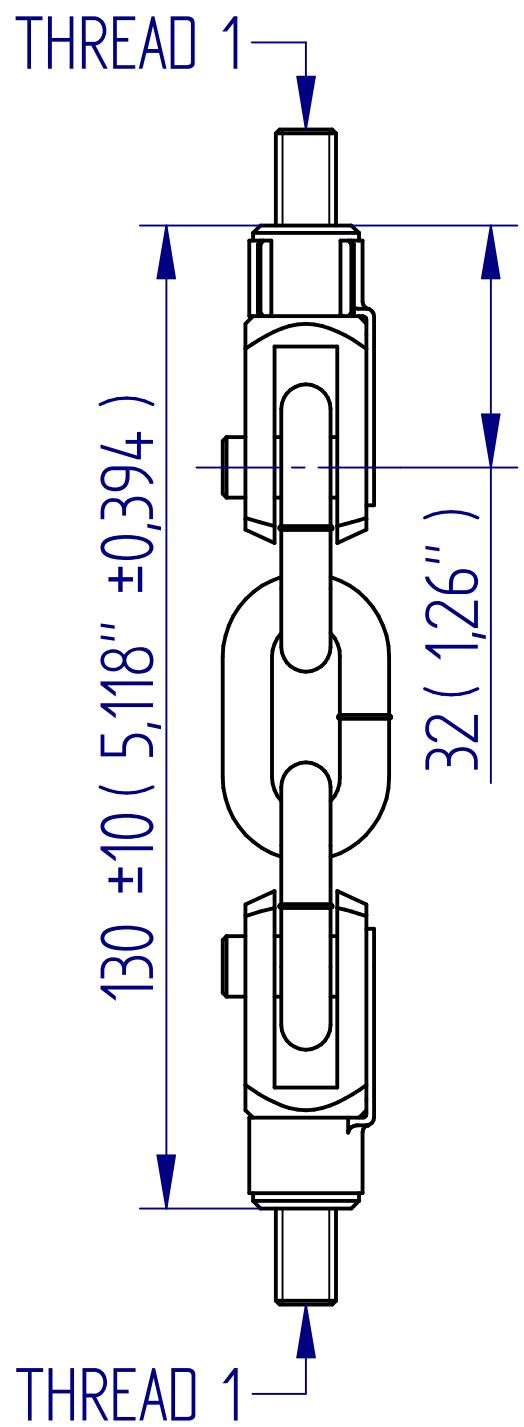


ALL DIMENSIONS ARE IN MILLIMETRES
FOLLOWED BY INCHES: MM (IN")



PSV8057 Large Chain Link Assembly

2:1 @ A3

