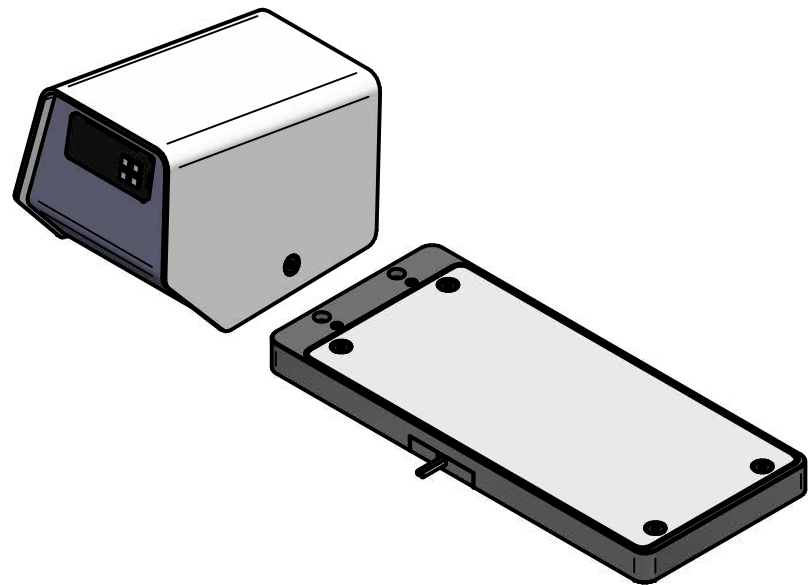
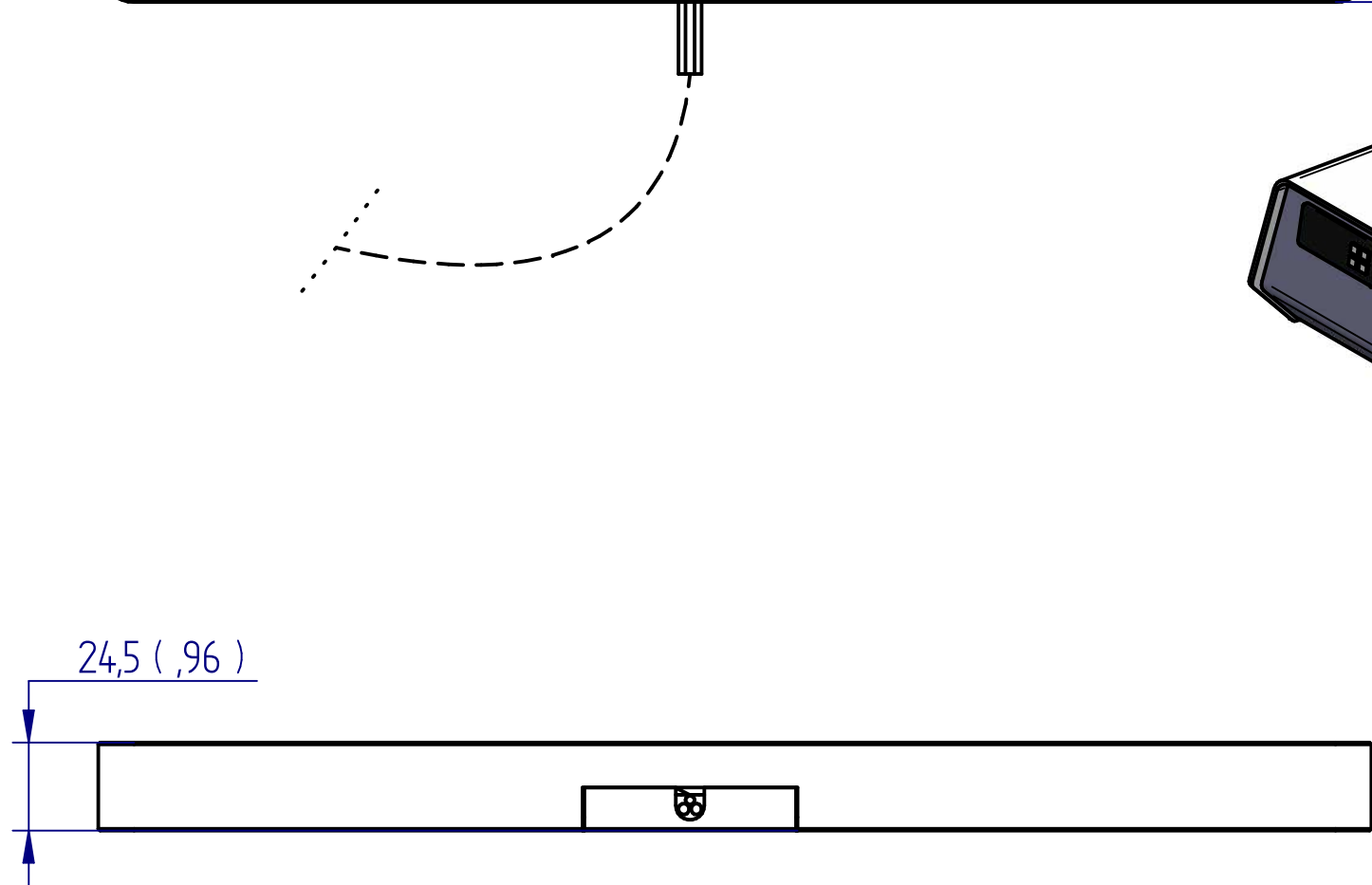
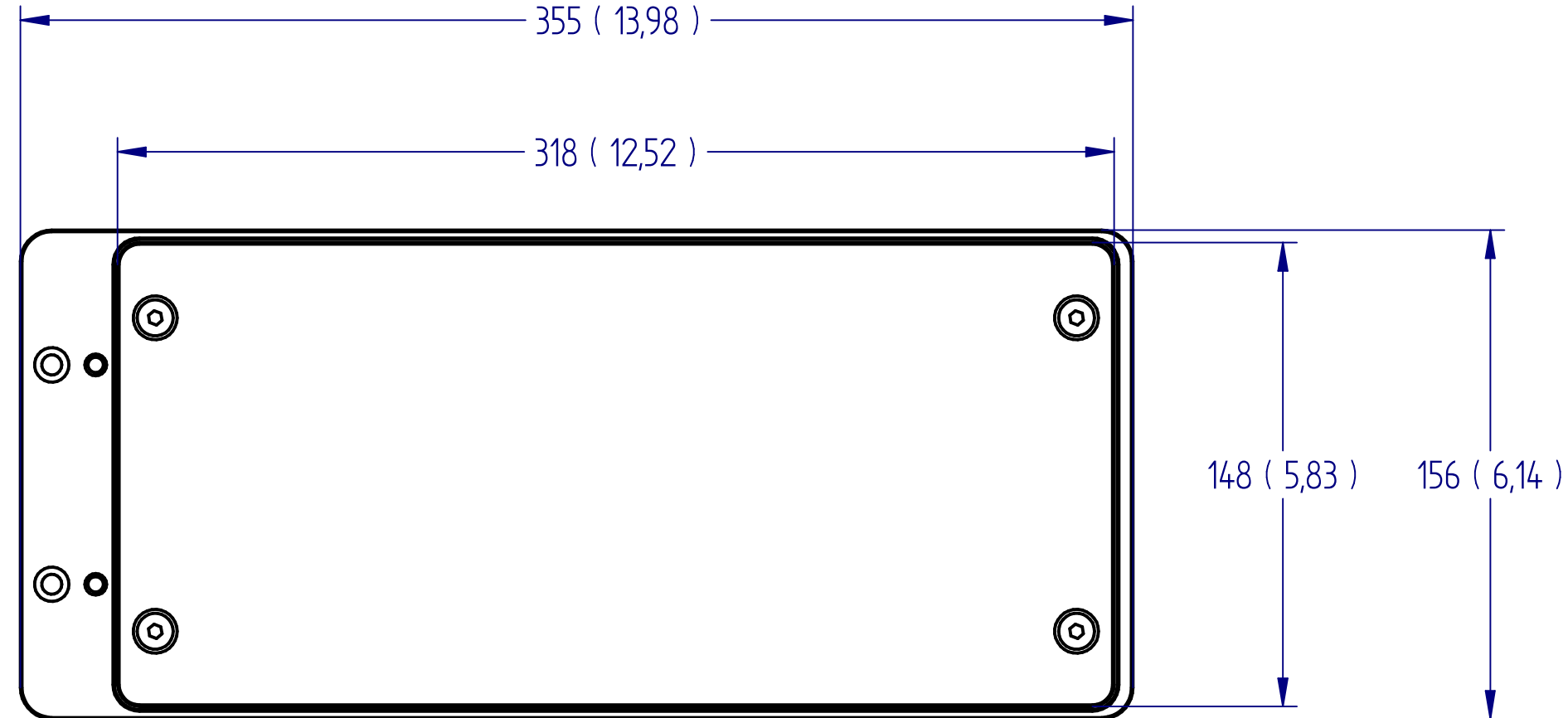
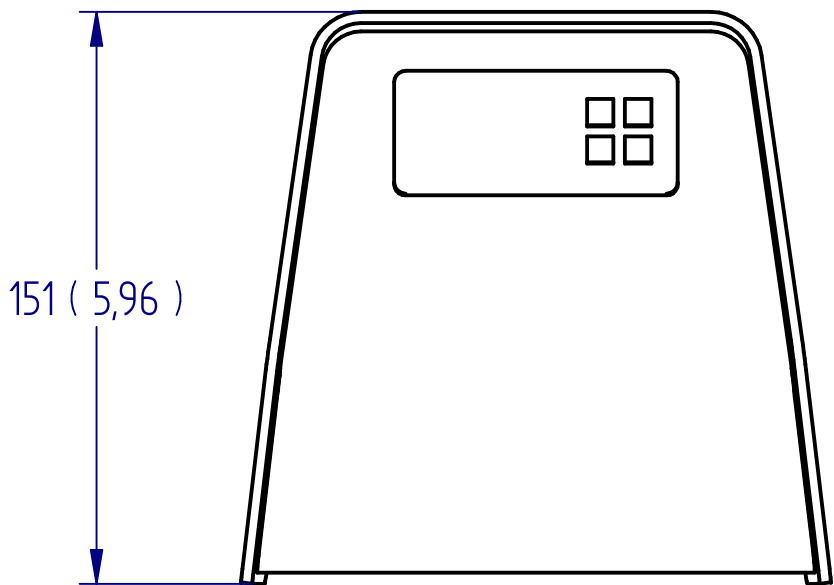
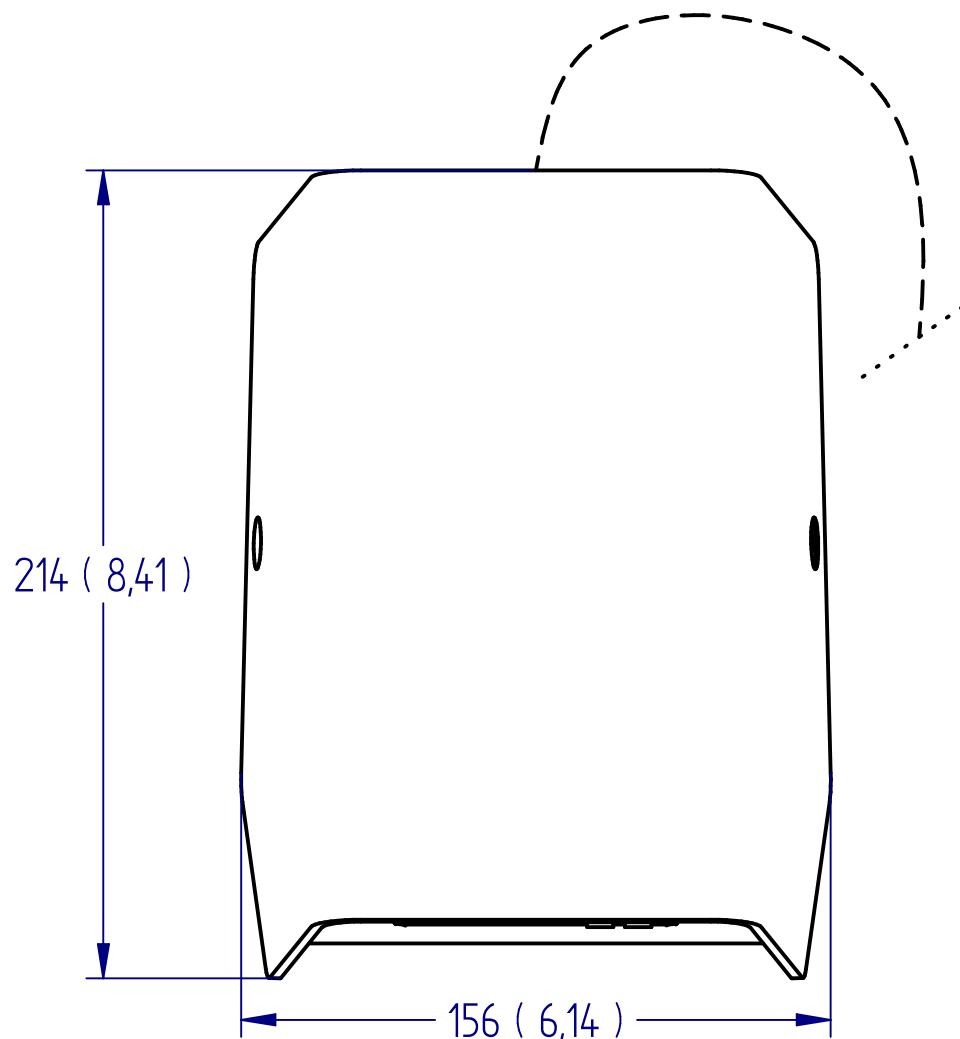


ALL DIMENSIONS ARE IN MILLIMETRES  
FOLLOWED BY INCHES: MM ( IN" )



432-640 FPT-H1 Heated  
coefficient of friction platen

1:2 @A3

