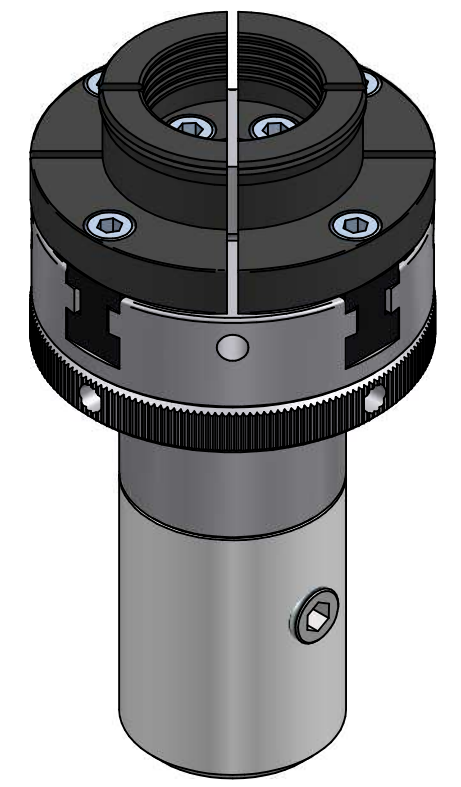
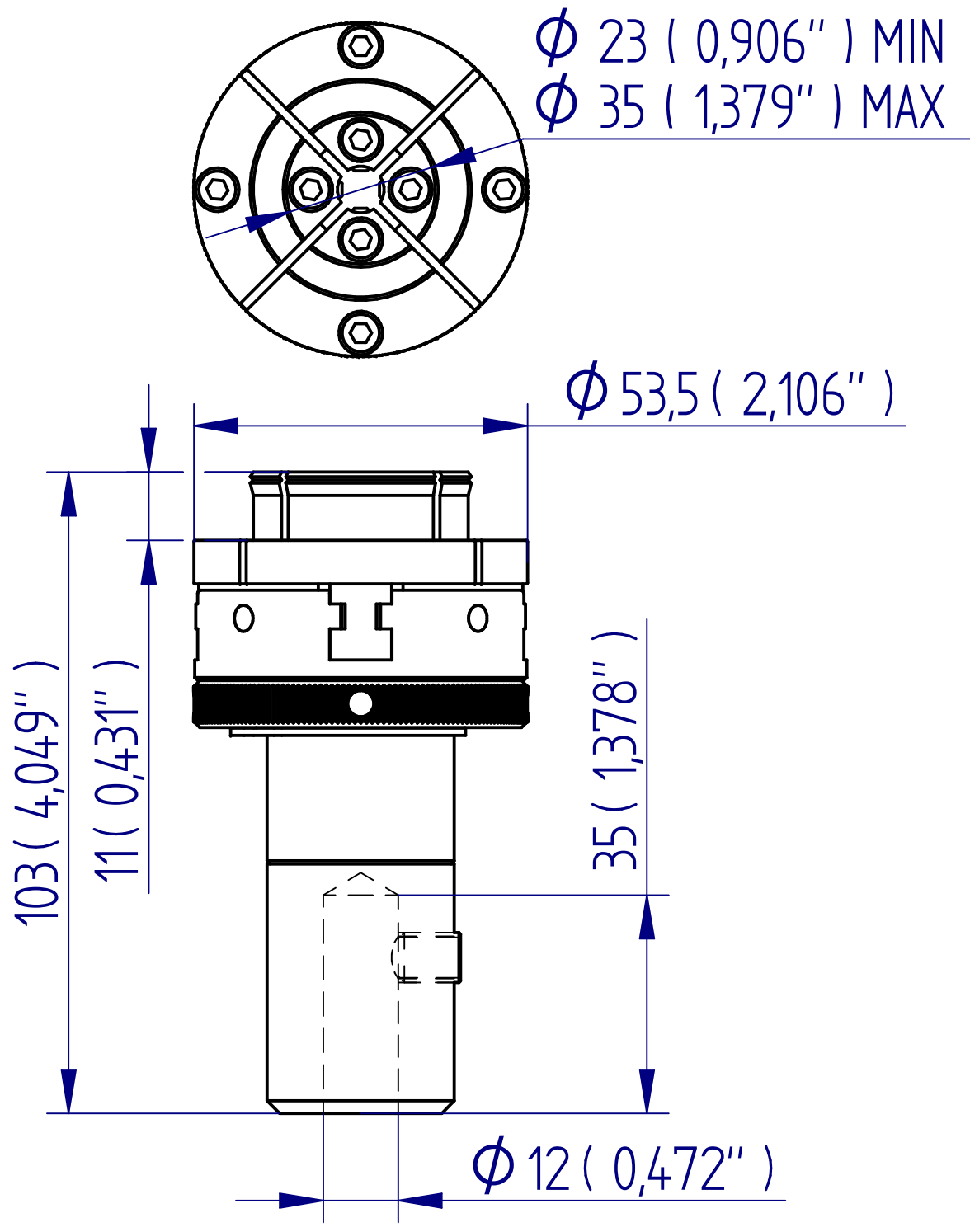


ALL DIMENSIONS ARE IN MILLIMETRES  
FOLLOWED BY INCHES: MM ( IN" )



432-496 Lower Chuck Small (Round Shaft)

Mecmesin  
testing to perfection

1:1 @ A3