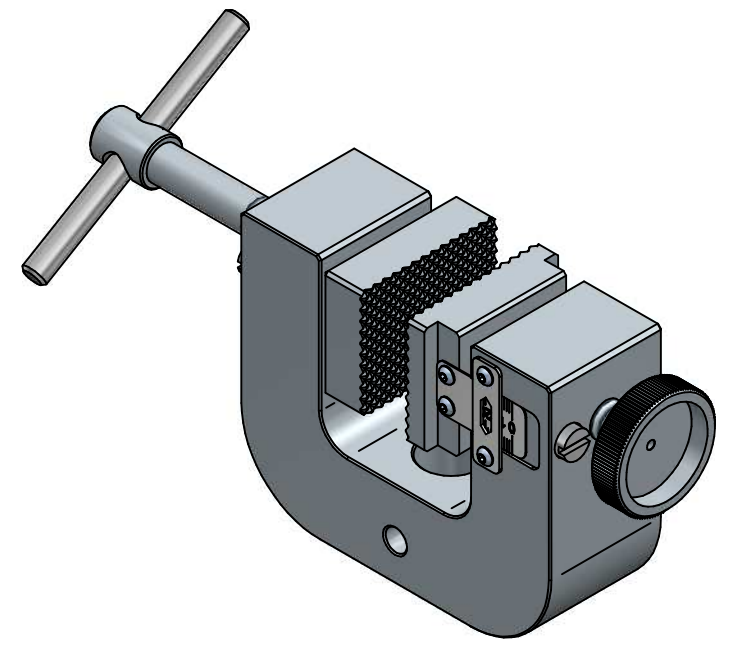
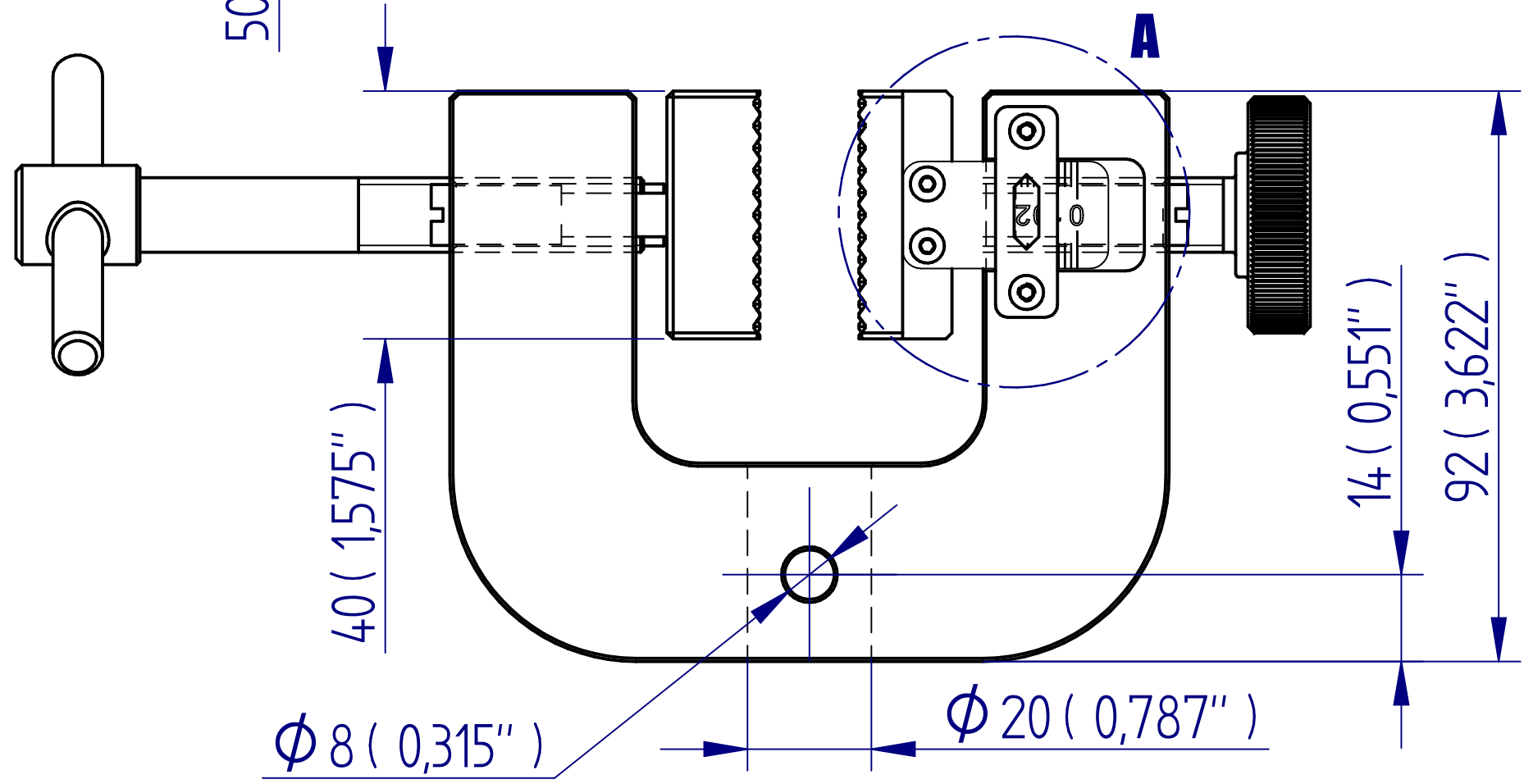
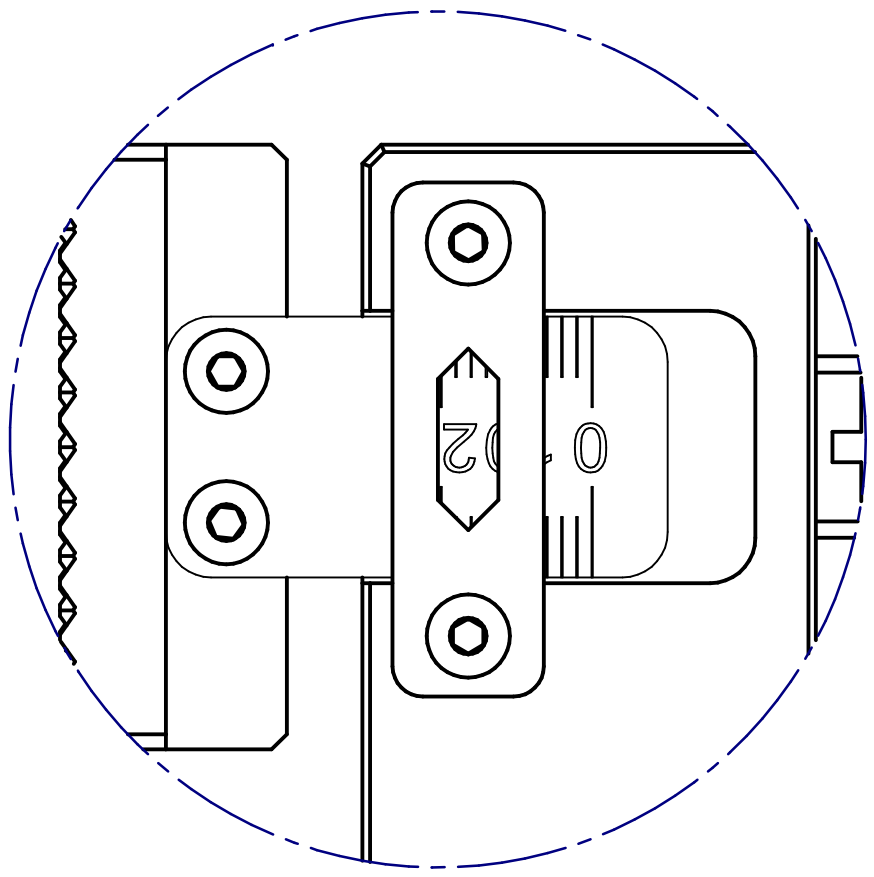
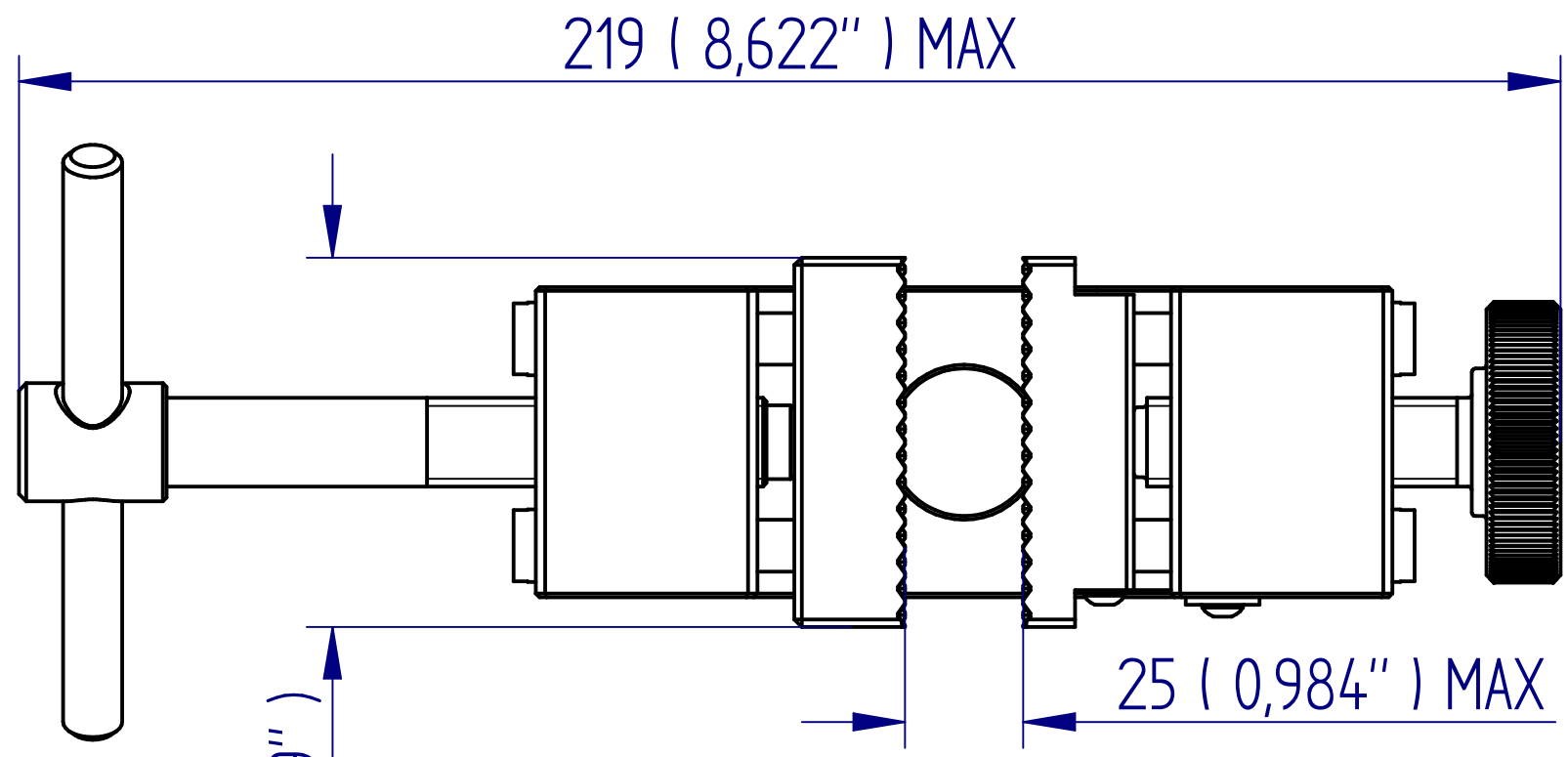


ALL DIMENSIONS ARE IN MILLIMETRES  
FOLLOWED BY INCHES: MM ( IN" )



432-433 Lrg Double Action Vice Grip

1:1 @ A3

