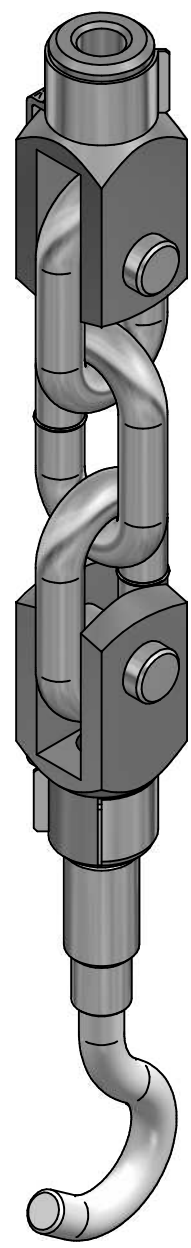
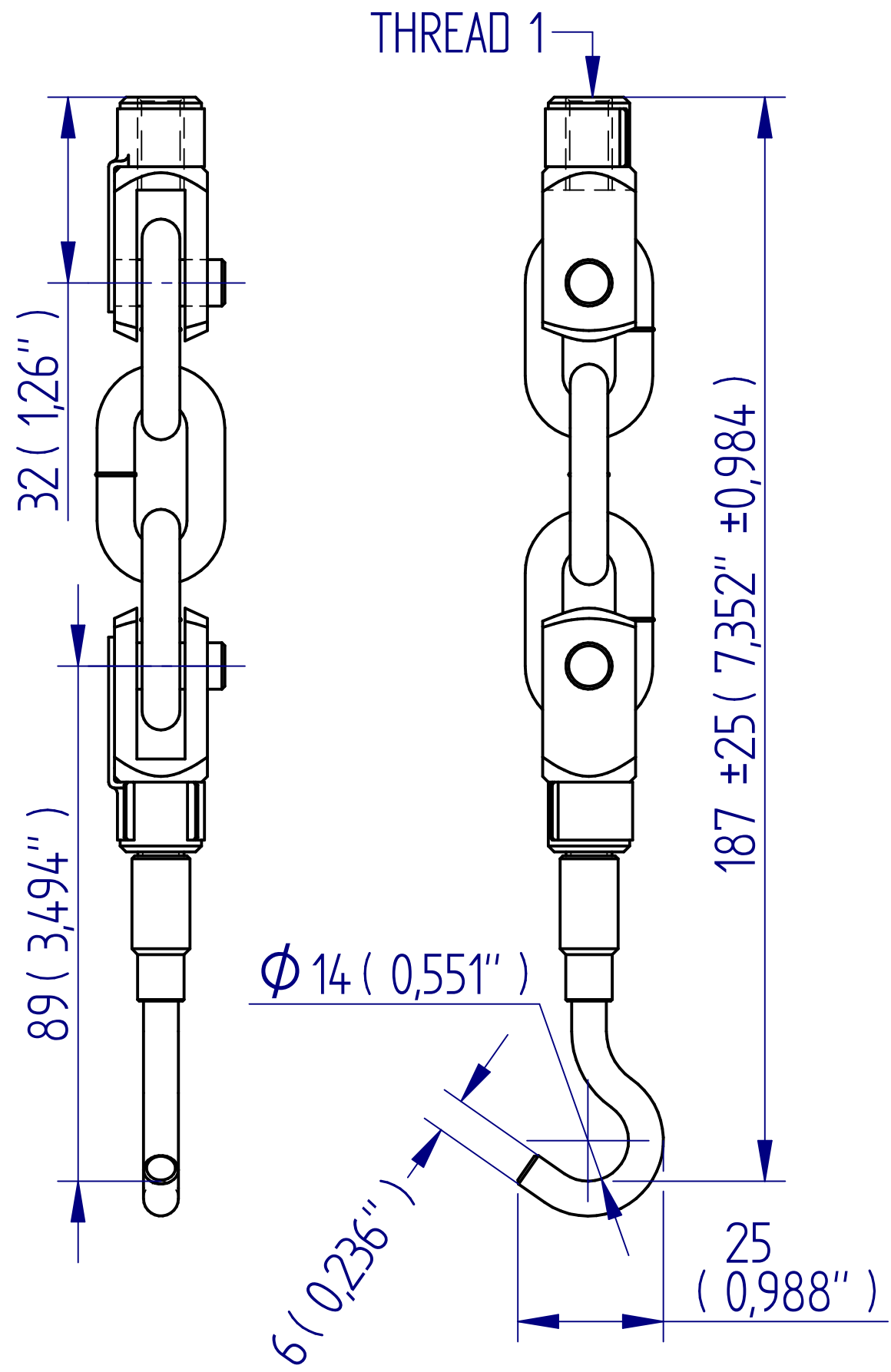


ALL DIMENSIONS ARE IN MILLIMETRES
FOLLOWED BY INCHES: MM (IN")



432-410 Chain Link & Hook Assembly

1:2 @ A3

