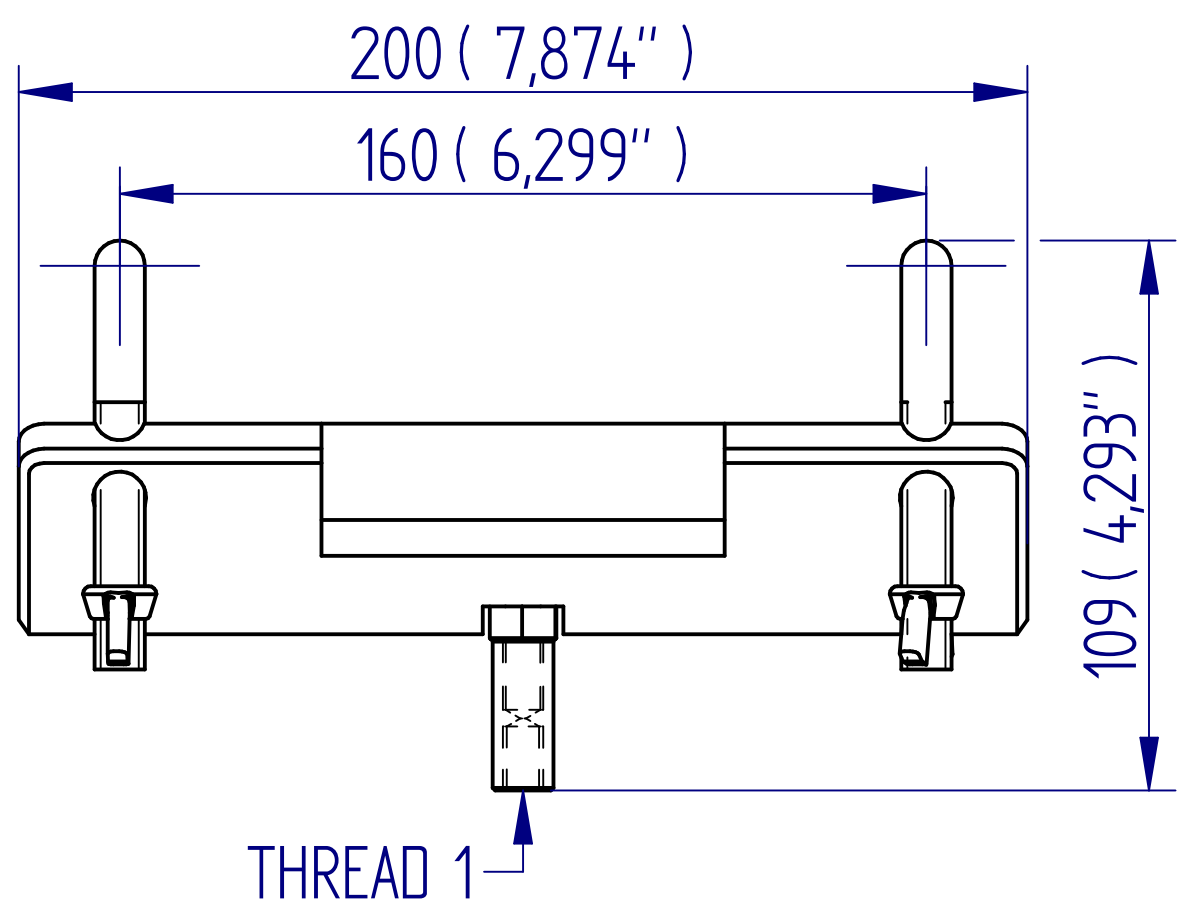
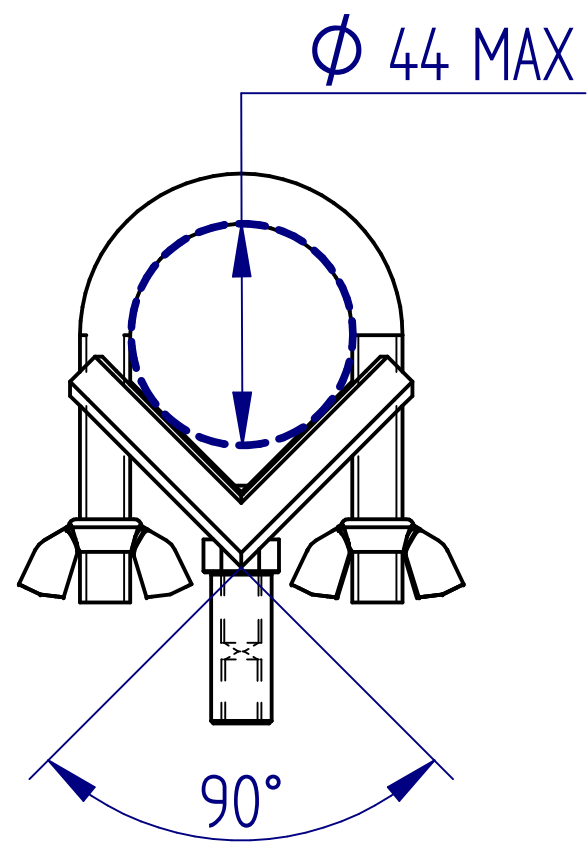
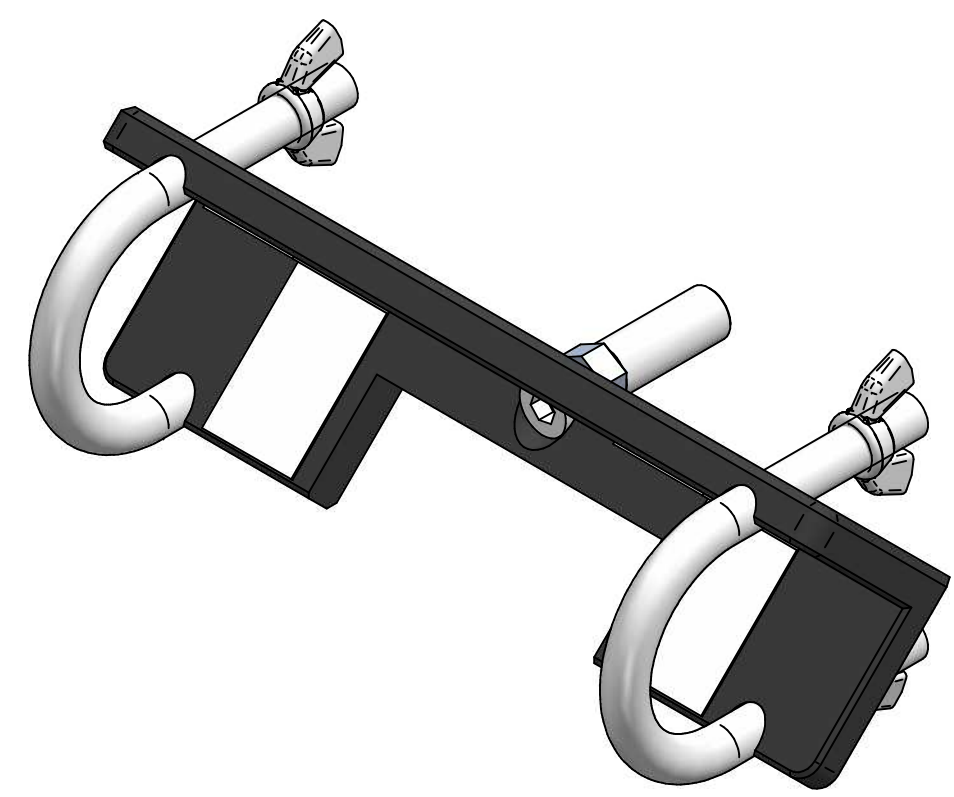
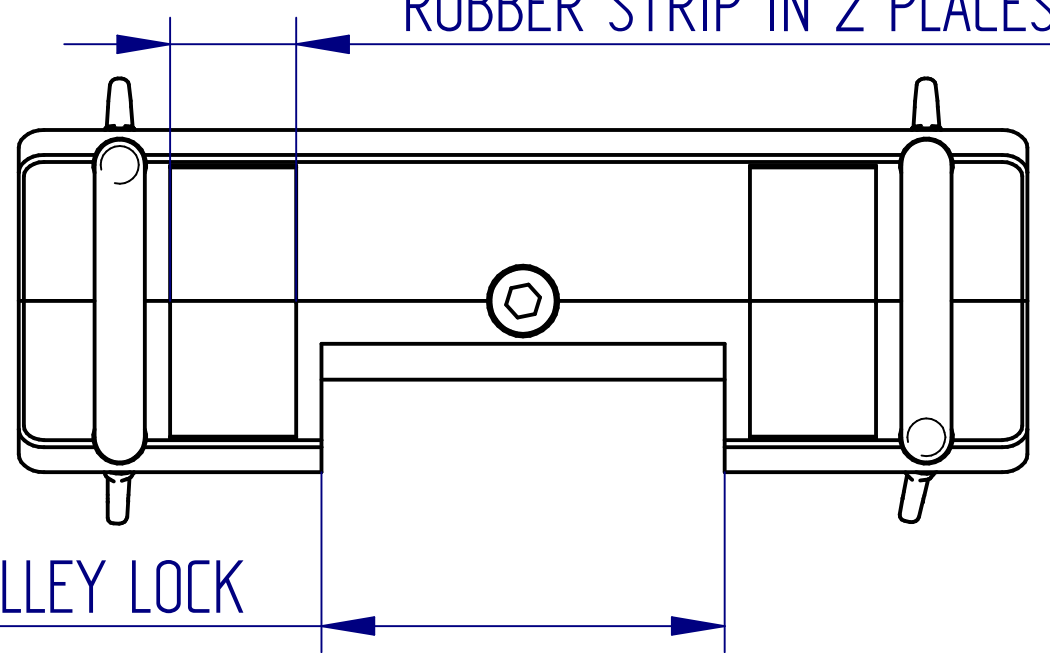


ALL DIMENSIONS ARE IN MILLIMETRES  
FOLLOWED BY INCHES: MM ( IN" )

25 x 40 ( 0,984 x 1,575" )  
RUBBER STRIP IN 2 PLACES

80 ( 3,15" )  
CLEARANCE FOR TROLLEY LOCK



432-405 1000 N Trolley Pushing Fixture

1:1 @ A3

