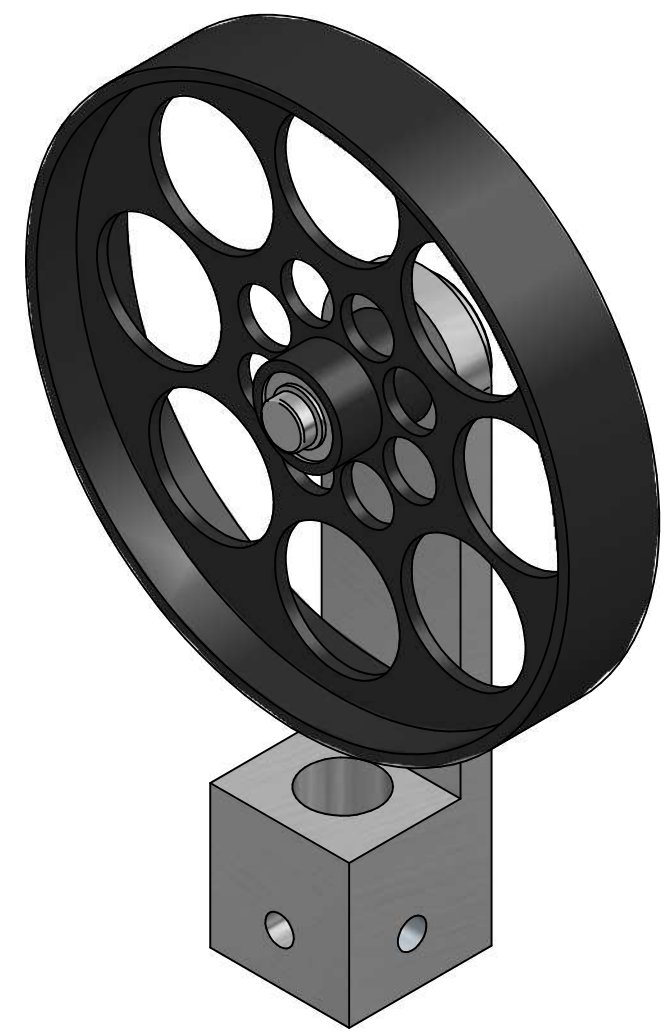
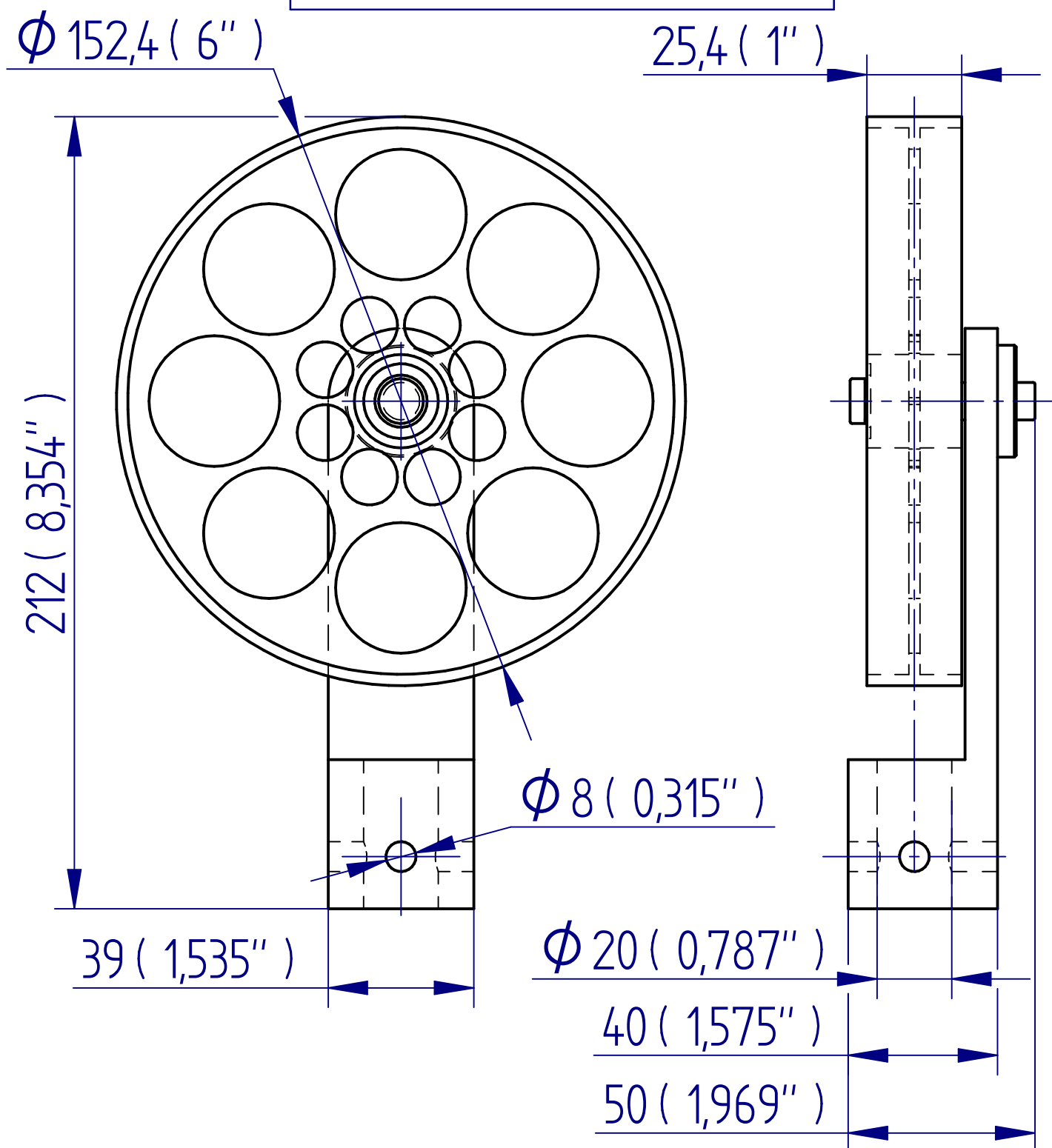


ALL DIMENSIONS ARE IN MILLIMETRES
FOLLOWED BY INCHES: MM (IN")

DRAWING IS INDICATIVE ONLY



432-265 Pull-Peel Wheel Fixture

1:1.5 @ A3

