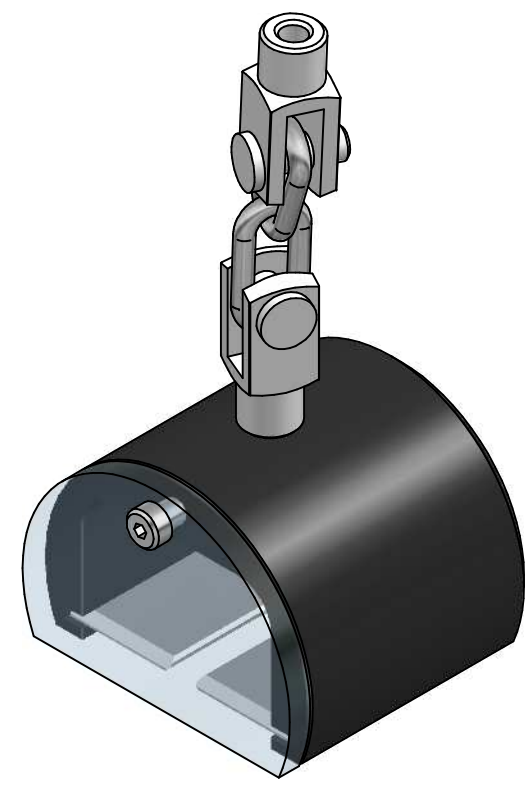
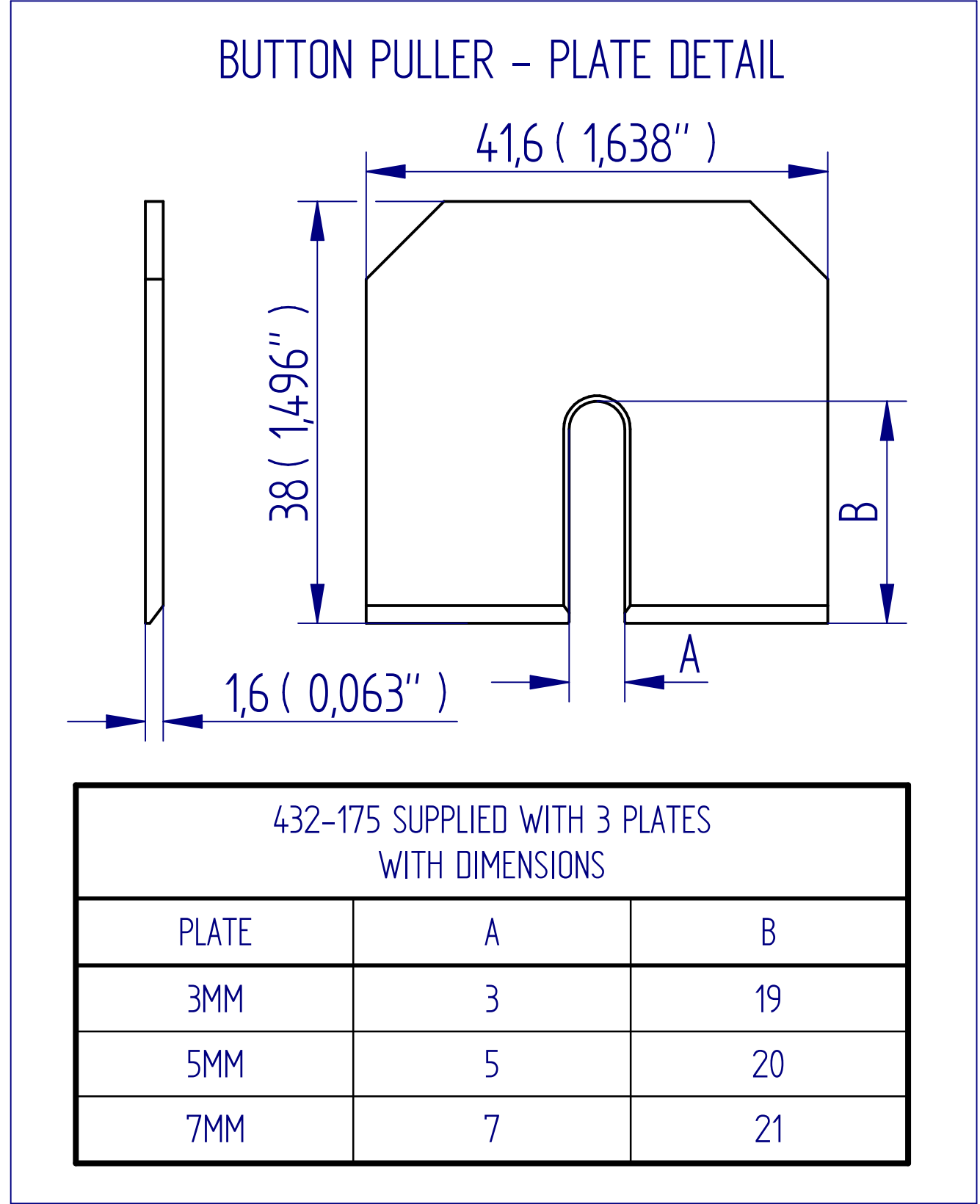
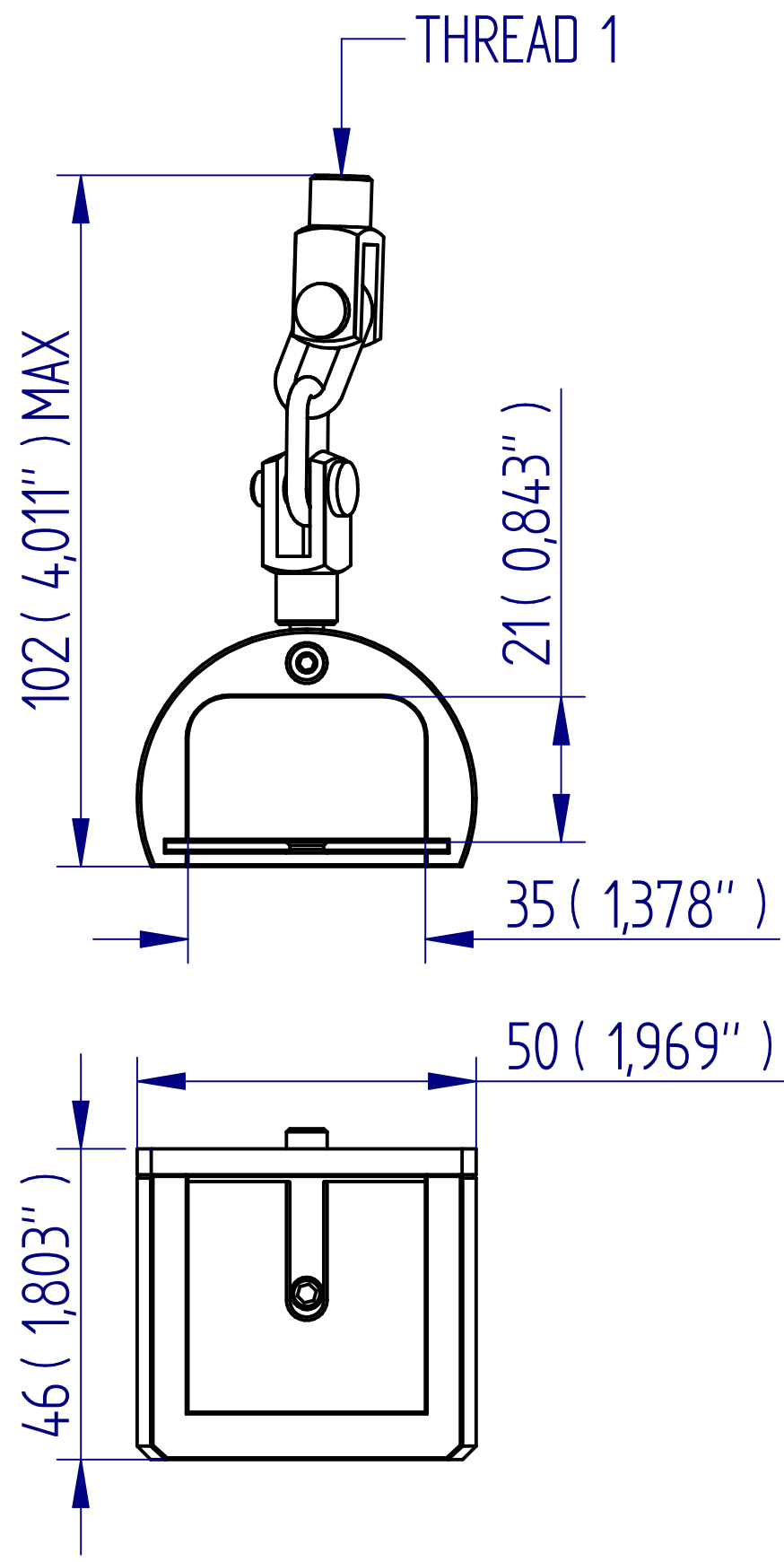


ALL DIMENSIONS ARE IN MILLIMETRES  
 FOLLOWED BY INCHES: MM ( IN" )



1:1 @ A3

432-175 Button Pull Fixture

testing to perfection