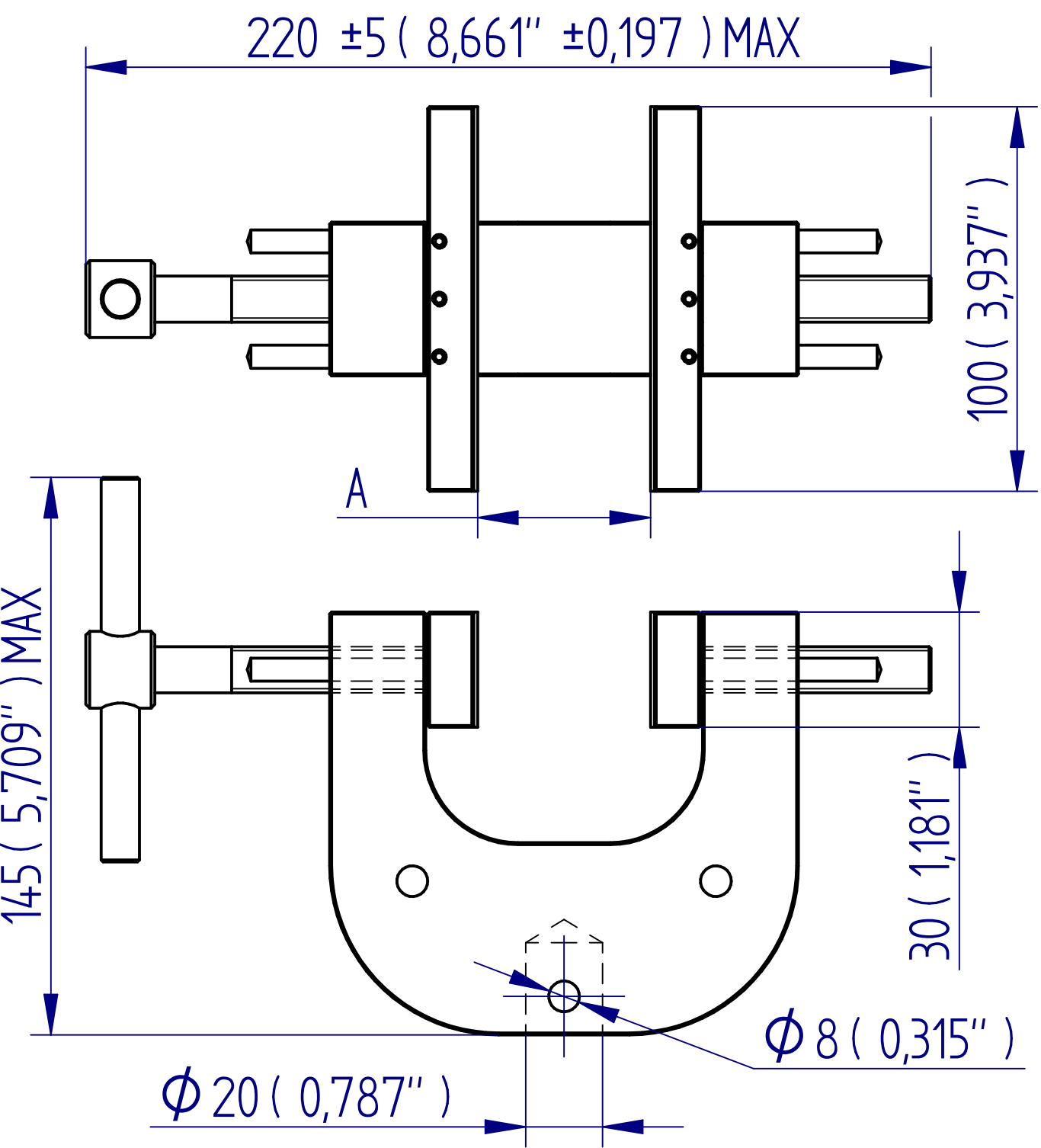
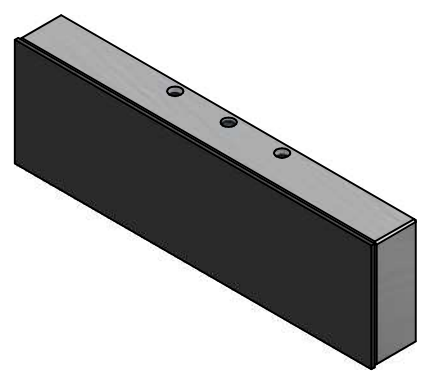
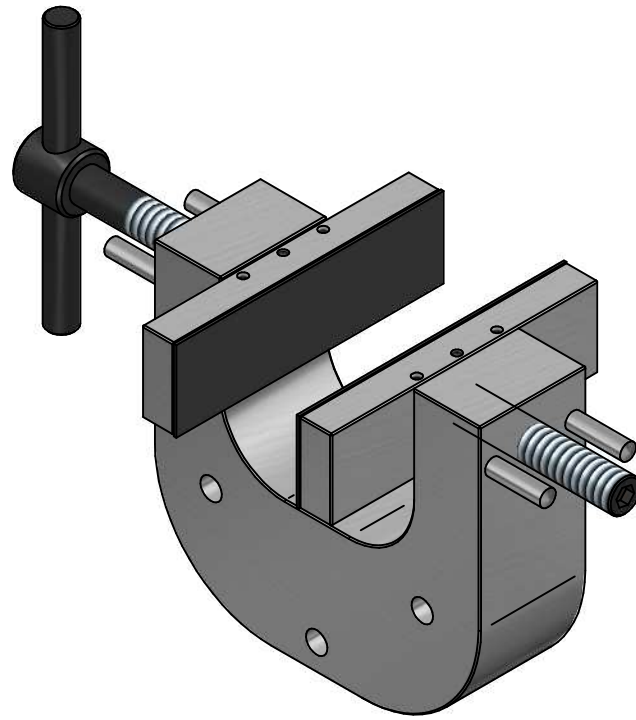


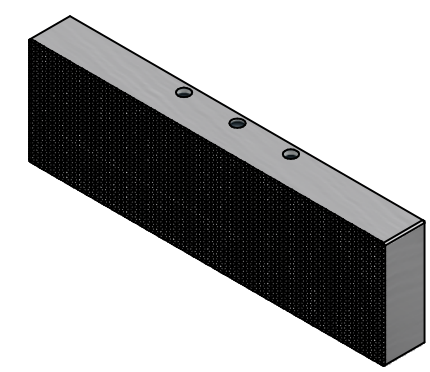
ALL DIMENSIONS ARE IN MILLIMETRES
 FOLLOWED BY INCHES: MM (IN")



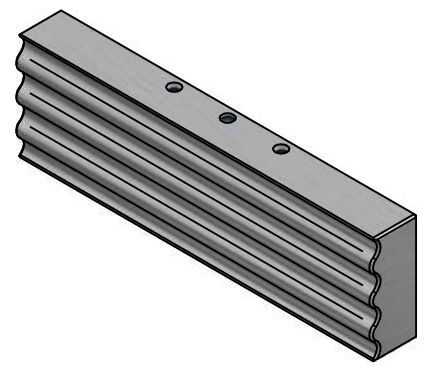
NOTE:
 JAWS MUST BE ORDERED SEPARATELY



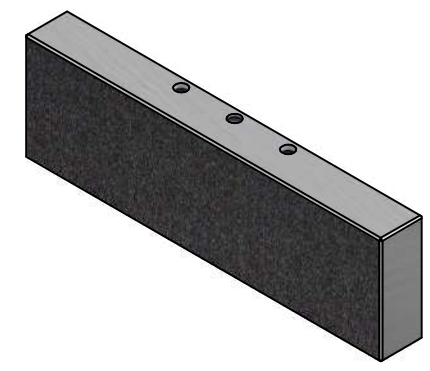
432-466
 RUBBER JAWS



432-467
 PYRAMID JAWS



432-468
 WAVE JAWS



432-469
 DIAMOND-FACED JAWS

432-XXX Large 2-way Plane Grip and Jaws

DRAWING APPLIES TO PT NO:
 432-465,466,467,468,469

1:1.5 @ A3

