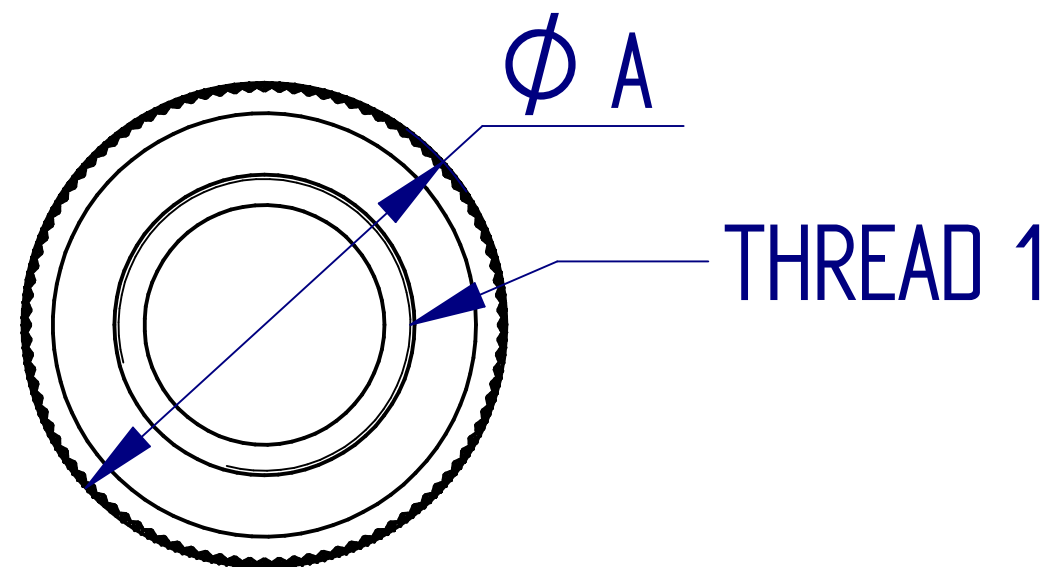
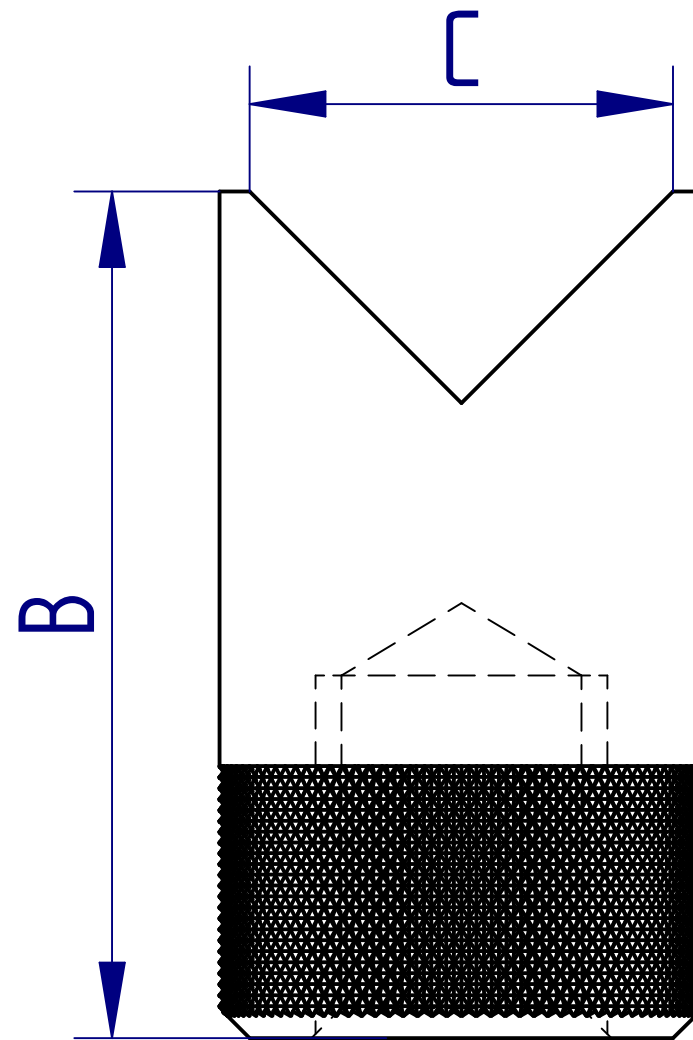


ALL DIMENSIONS ARE IN MILLIMETRES
FOLLOWED BY INCHES: MM (IN")



432-XXX Inverted Chisel

DRAWING APPLIES TO PT NO:
432-356 & 432-357 8:1 @ A3

