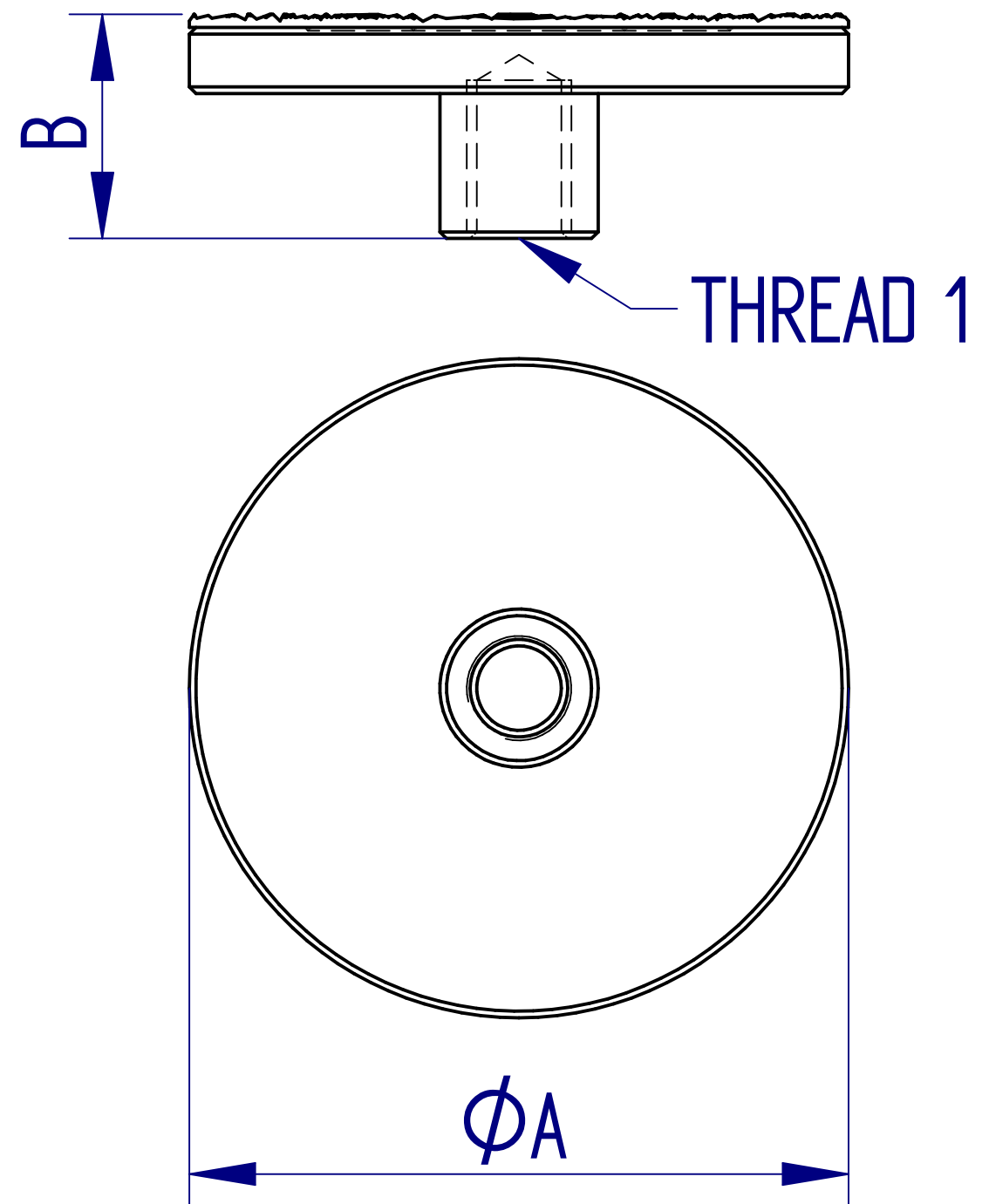


ALL DIMENSIONS ARE IN MILLIMETRES
FOLLOWED BY INCHES: MM (IN")



432-XXX Rubber Faced Comp Plates 50mm

DRAWING APPLIES TO PT NO:
432-219 & 432-220

2:1 @ A3

