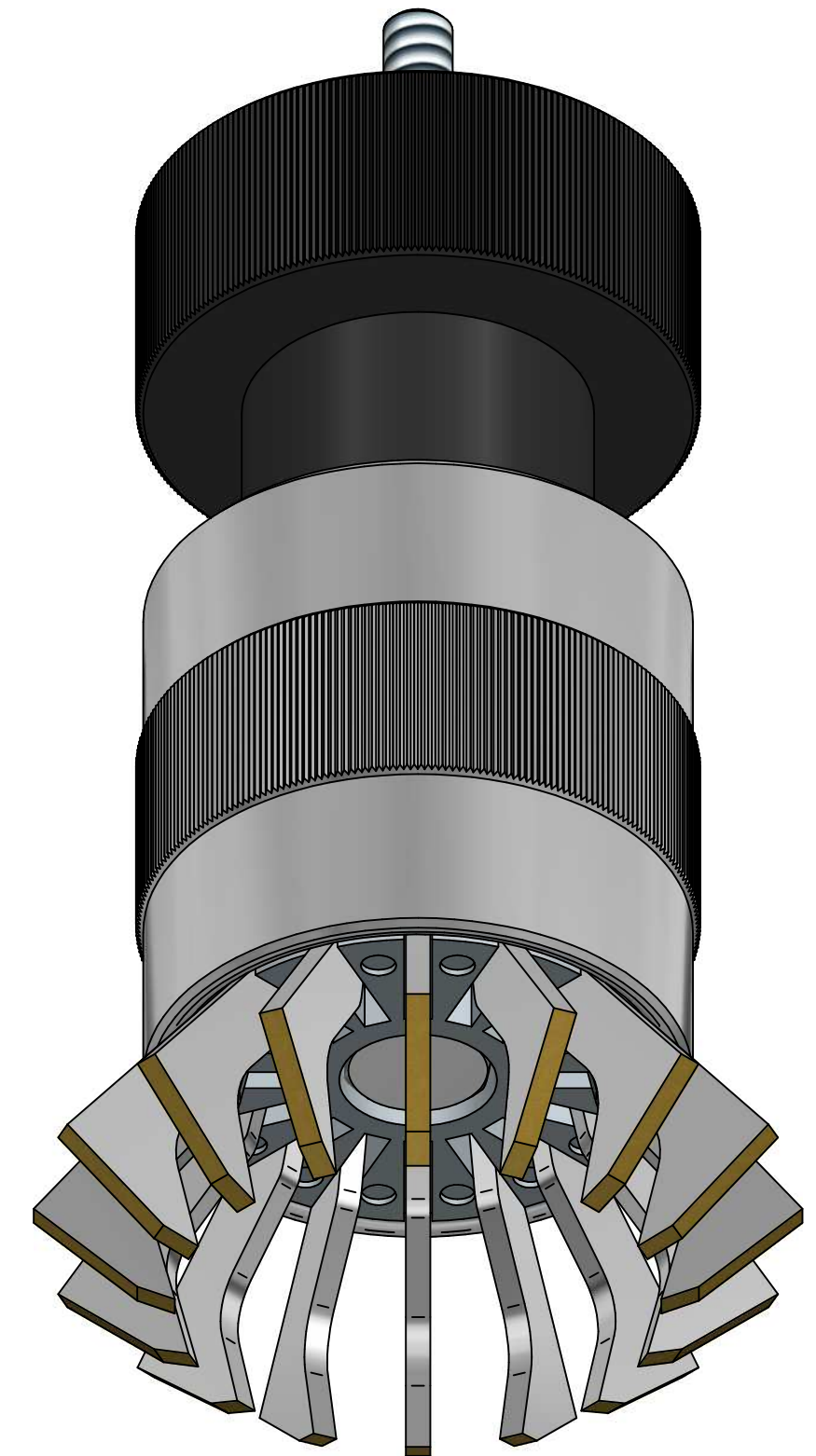
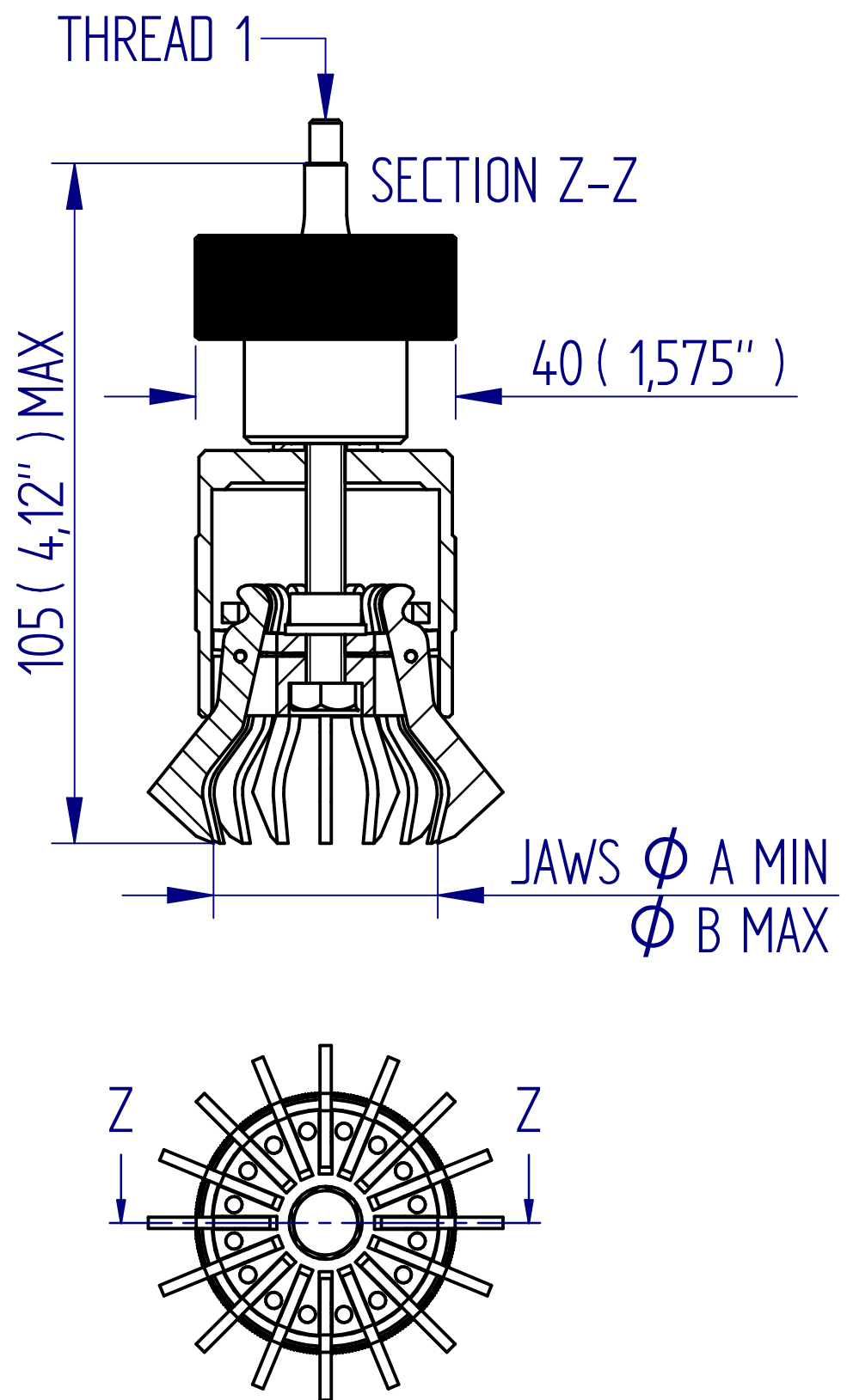


ALL DIMENSIONS ARE IN MILLIMETRES  
FOLLOWED BY INCHES: MM ( IN" )



432-XXX Multijaw Grip Fixture

DRAWING APPLIES TO PT NO:  
432-215 & 432-420 1:1 @ A3

