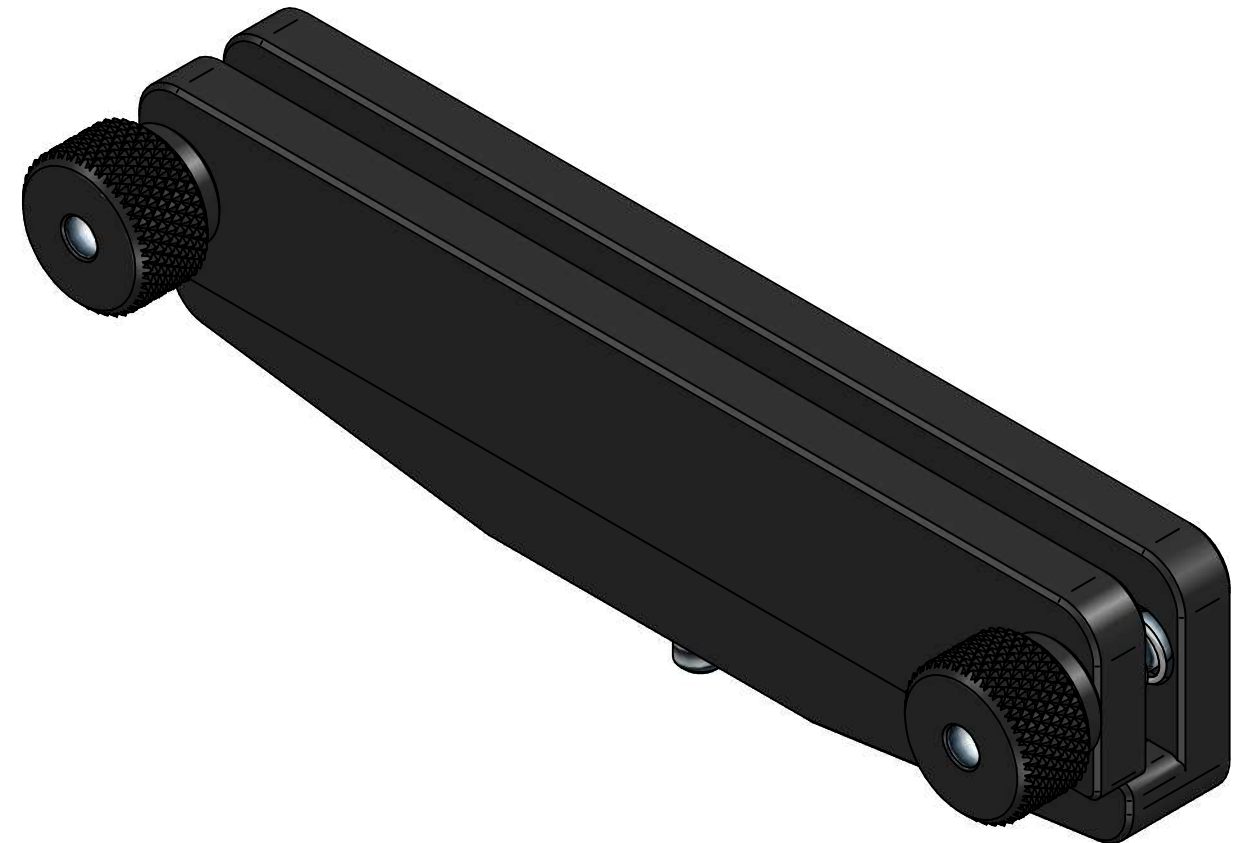
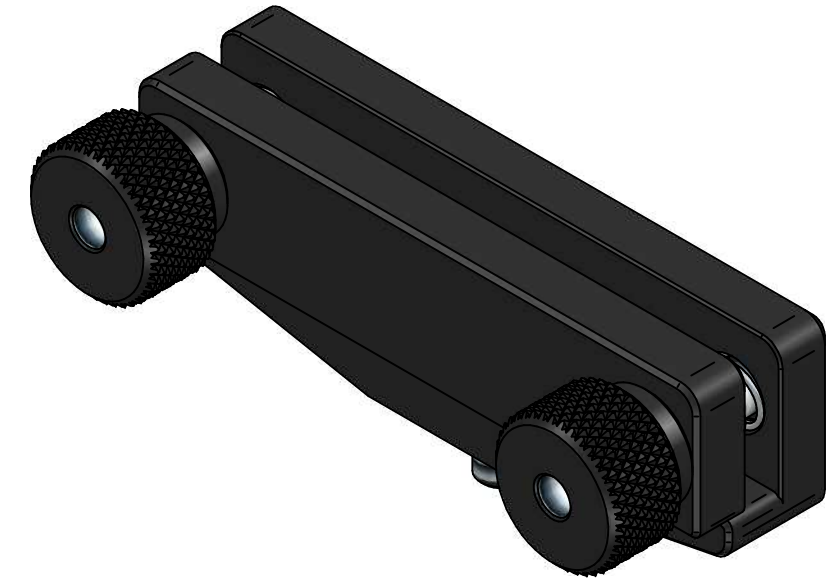
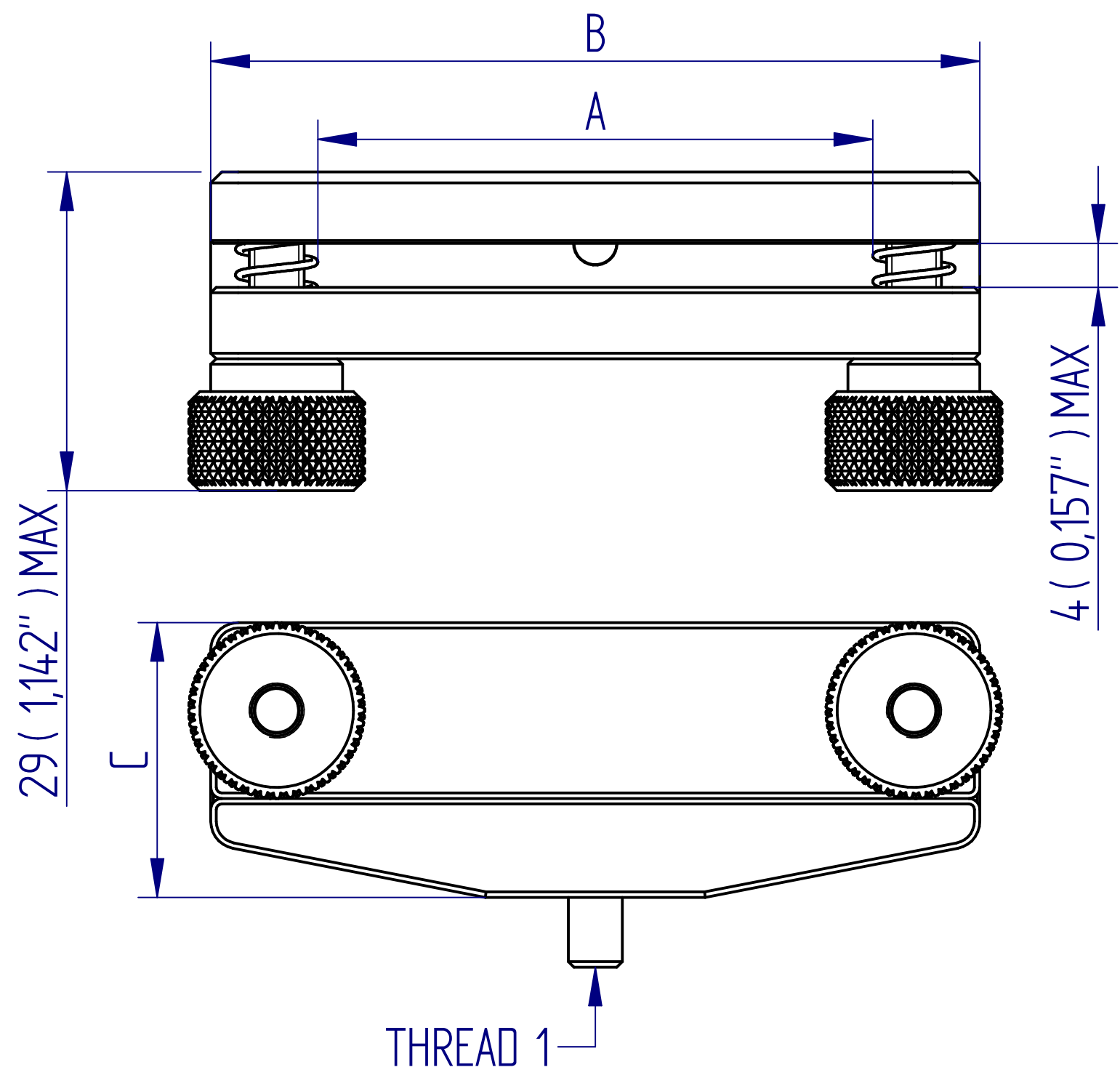


ALL DIMENSIONS ARE IN MILLIMETRES  
FOLLOWED BY INCHES: MM ( IN" )



432-XXX Fabric Grips

DRAWING APPLIES TO PT NO:  
432-384 & 432-386

2:1 @ A3

