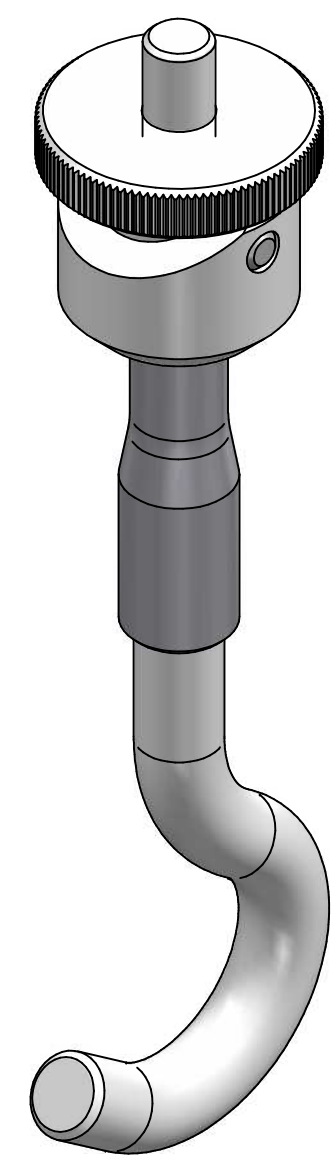
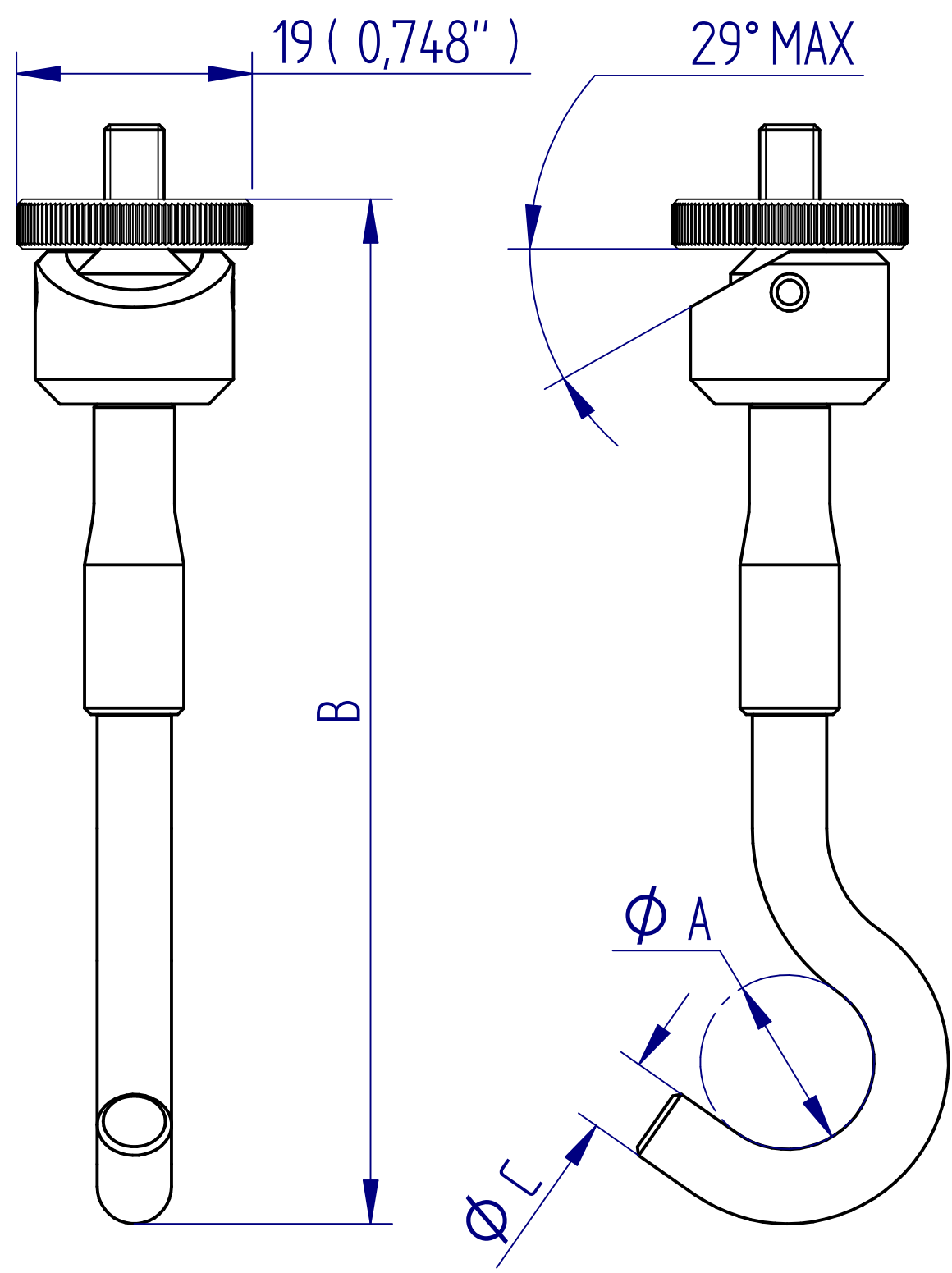


ALL DIMENSIONS ARE IN MILLIMETRES
FOLLOWED BY INCHES: MM (IN")



432-XXX Test Hook Swivel

DRAWING APPLIES TO PT NO:
432-391 & 432-392 2:1 @ A3

