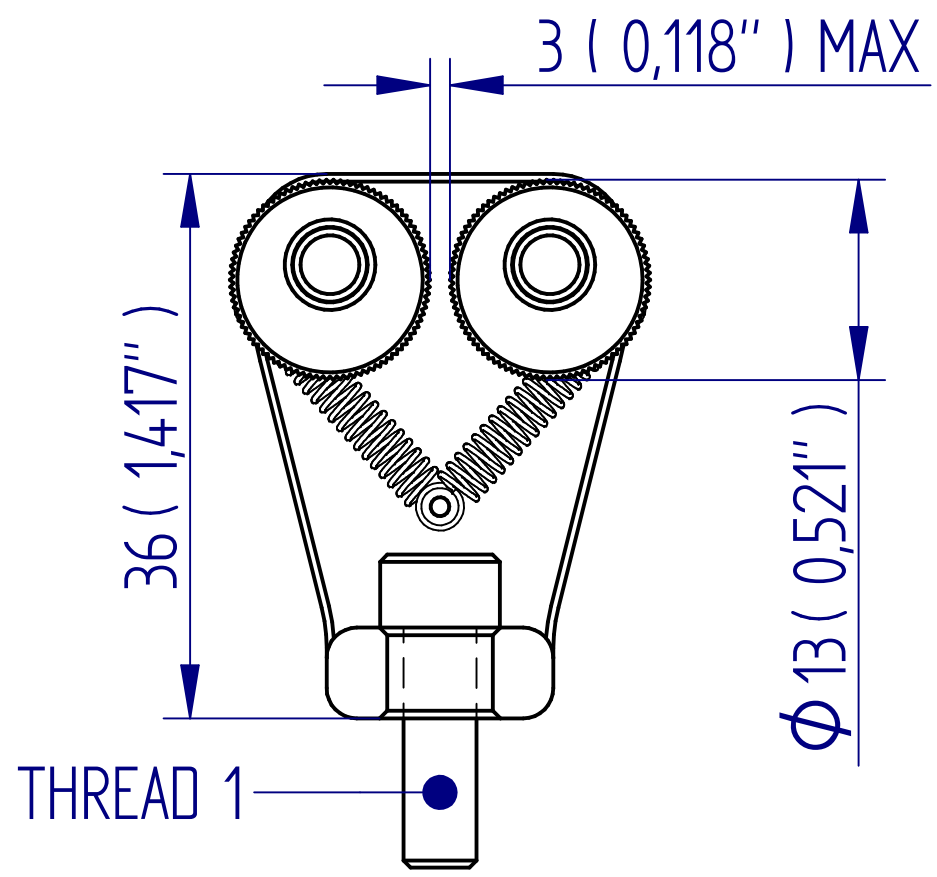
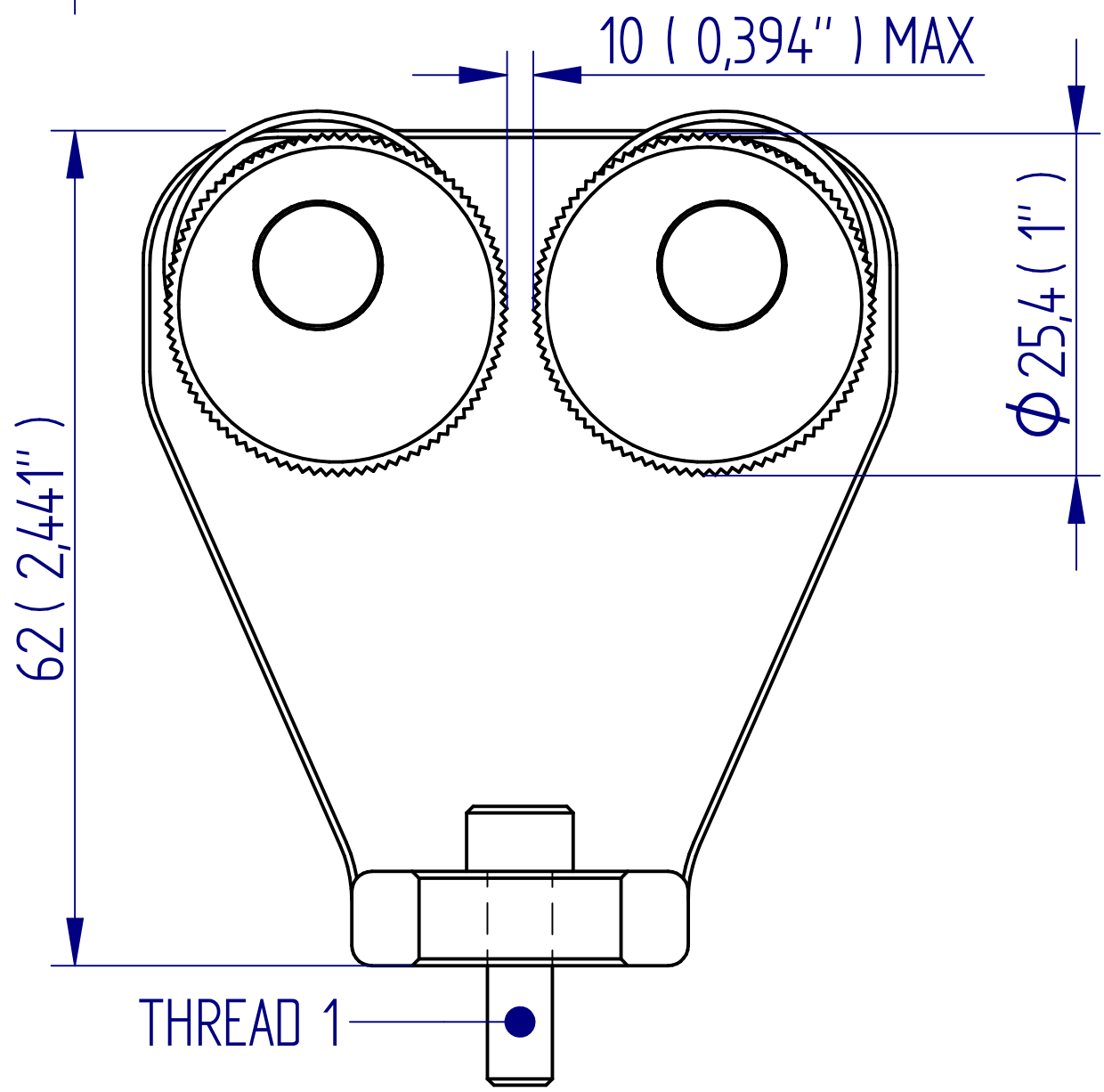
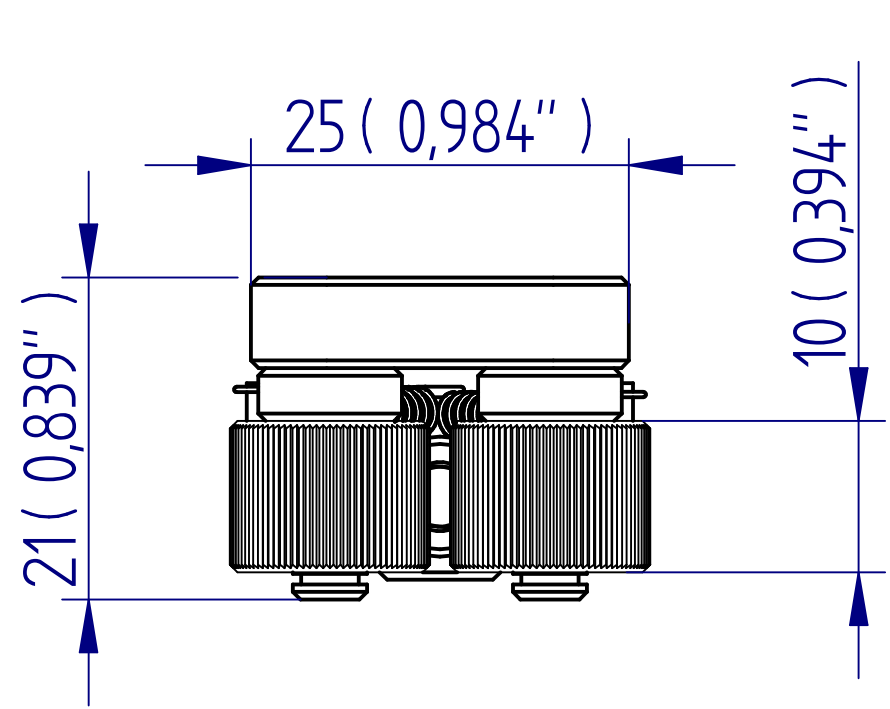
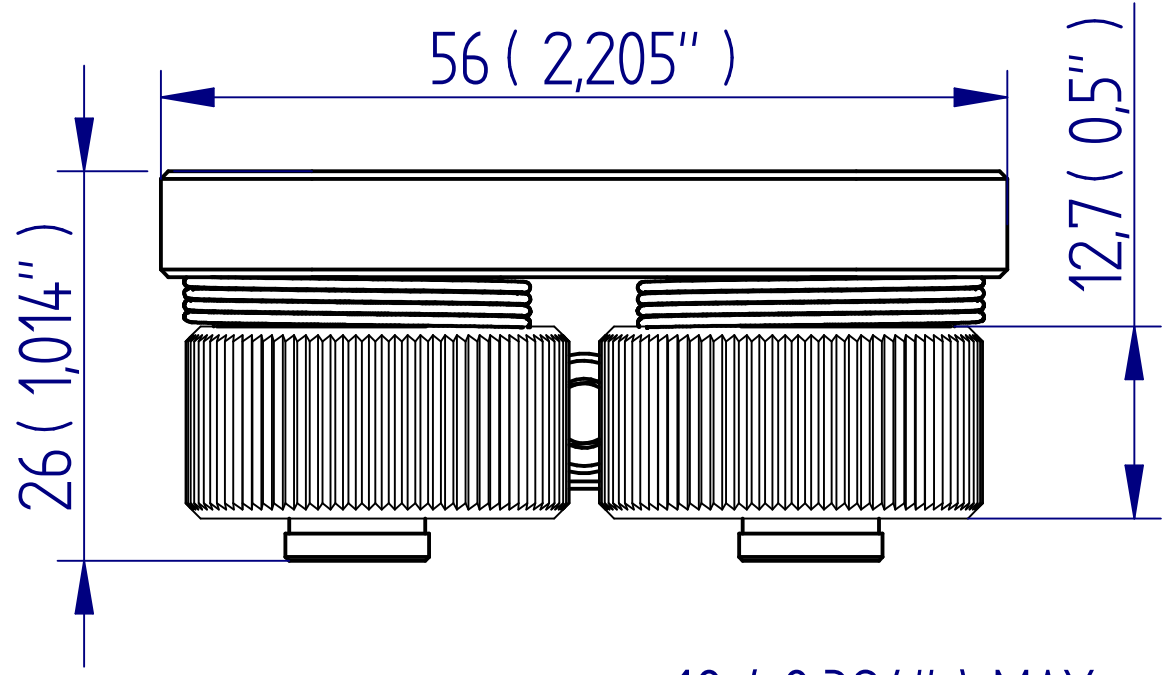


ALL DIMENSIONS ARE IN MILLIMETRES
 FOLLOWED BY INCHES: MM (IN")



432-378

432-387

DRAWING APPLIES TO PT NO:
 432-378 & 432-387

432-XXX Double Cam Grip (Serrated)

2:1 @ A3

