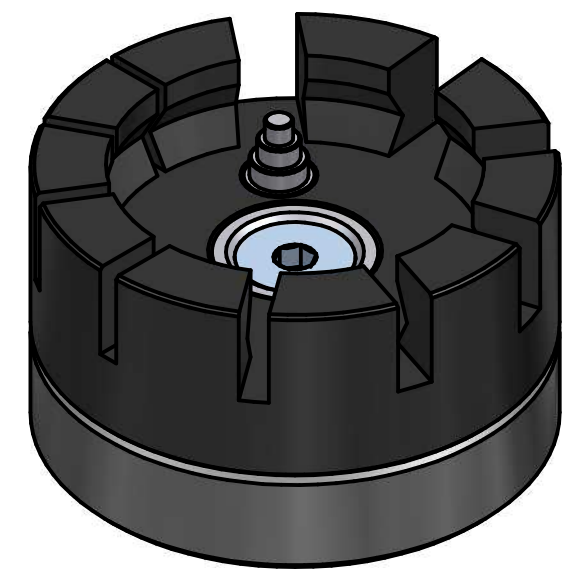
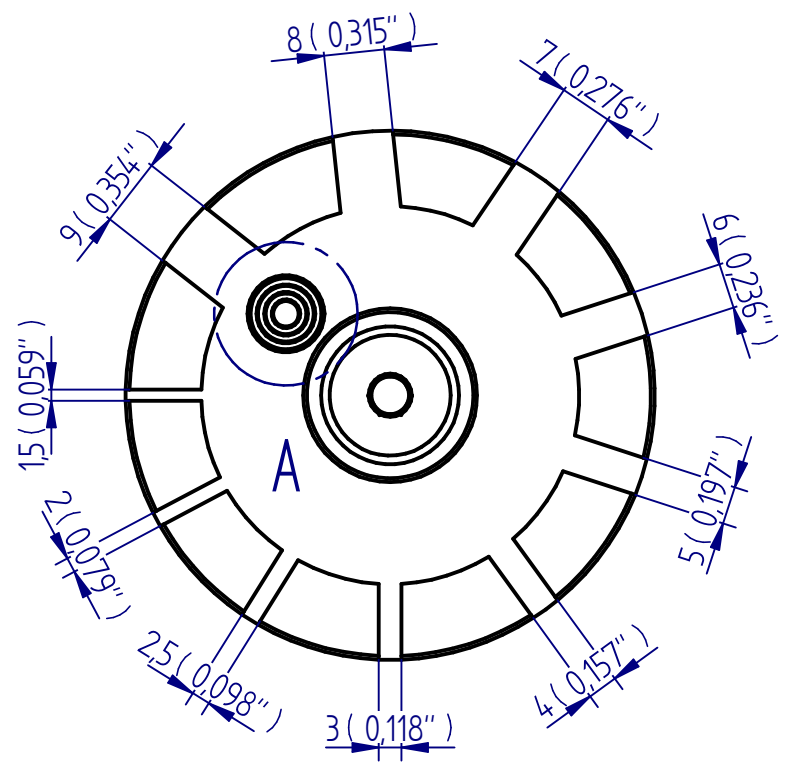
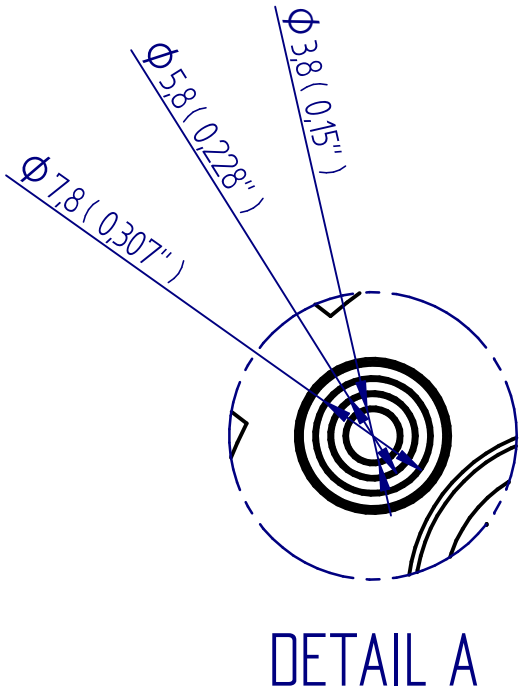
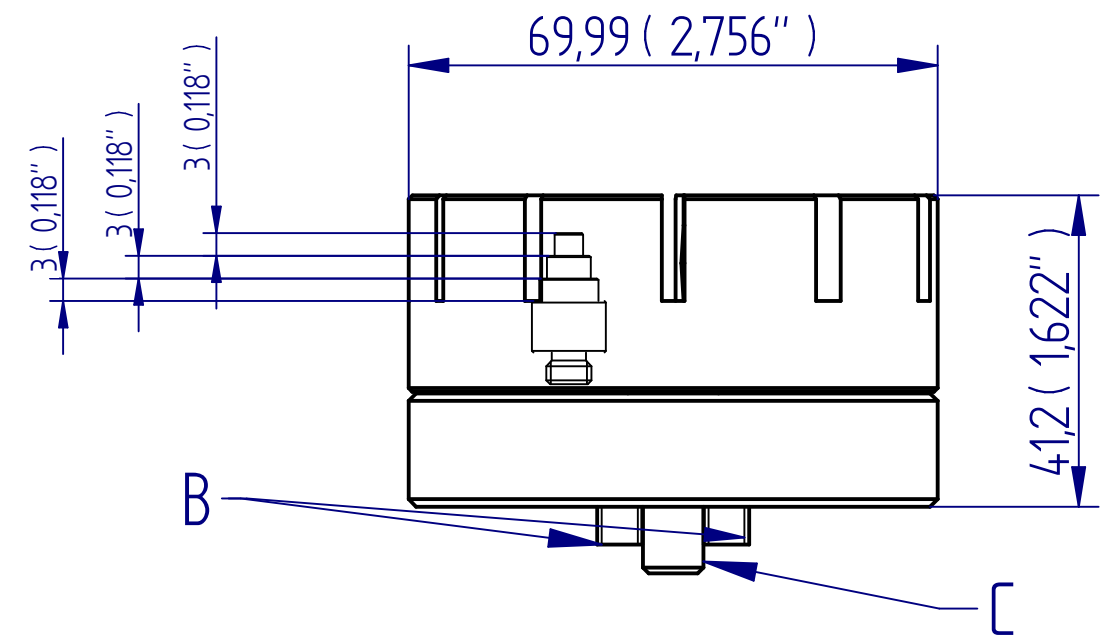


ALL DIMENSIONS ARE IN MILLIMETRES  
 FOLLOWED BY INCHES: MM ( IN" )



432-605 - RCR for CRIMPTEST-1

1:1 @ A3

