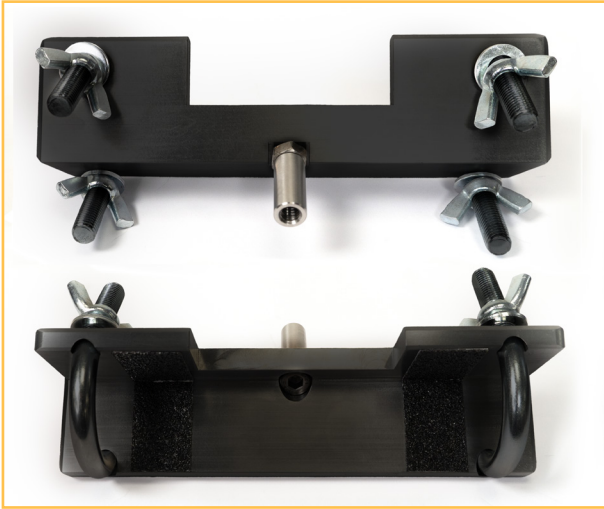


Trolley Pushing Fixture



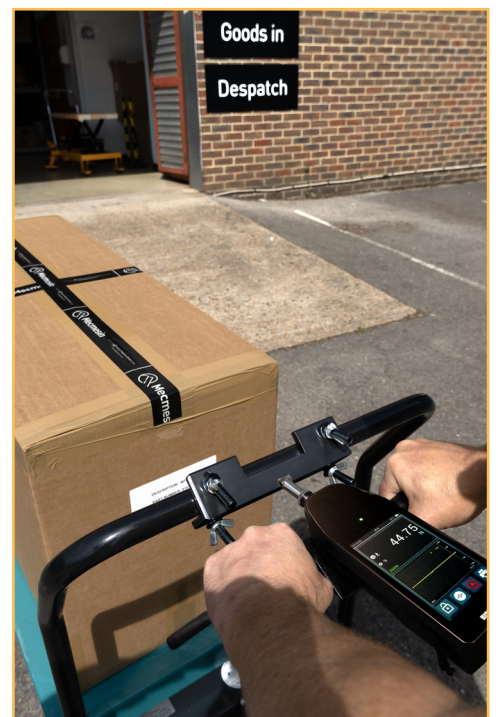
Description

The trolley-pushing fixture has been designed to attach to trolleys, carts and wheelie bins so that manual handling measurements can be made more easily. Typically used with a force gauge fitted to the force gauge gripping cradle or pistol grip (order separately).

Applications

Used to evaluate the ergonomics and force application characteristics of:

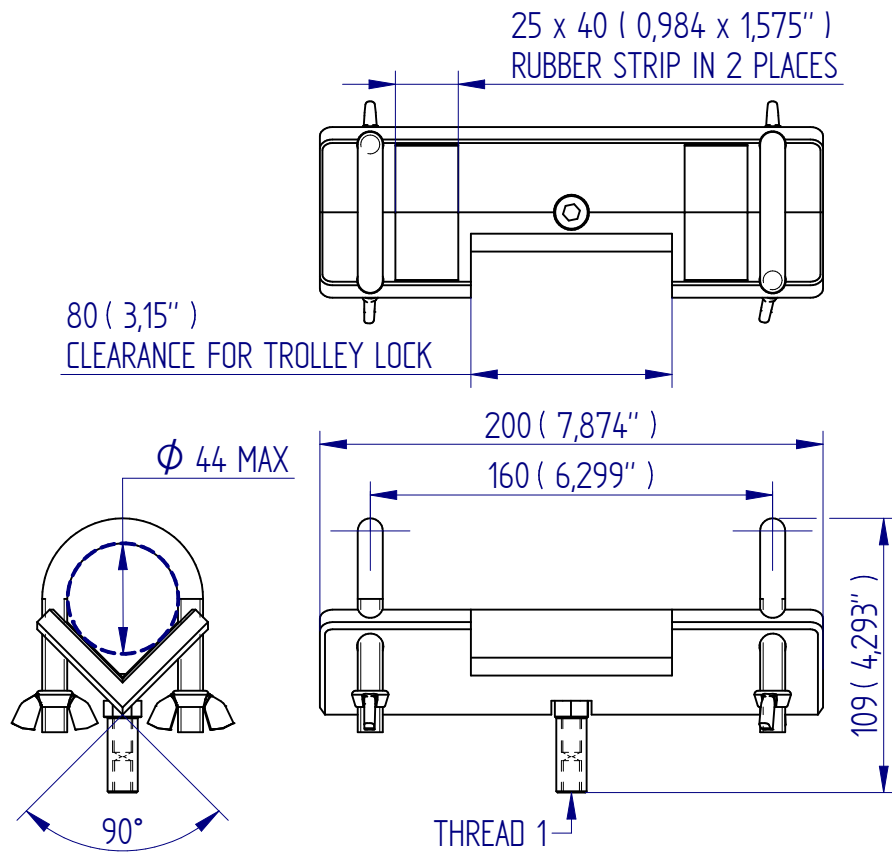
- trolleys
- carts
- wheelie bins



Specifications

Part No.	Load Capacity	Gripping Diameter (Ø)	Width	Width between Fixings
432-405	1 kN / 100 kgf / 225 lbf	44 mm (1.73 ^②)	200 mm (7.87 ^②)	160 mm (6.3 ^②)

Dimensions mm (inch)



Mecmesin reserves the right to alter equipment specifications without prior notice. E&OE.

+44 (0)1403 799979 | mecmesin.com | info@mecmesin.com