

Adjustable Test Hook



Description

Used for securely holding smaller crimp terminals for tests to BSI spec. BS5G178 PART 1 and equivalent international standards.

Applications

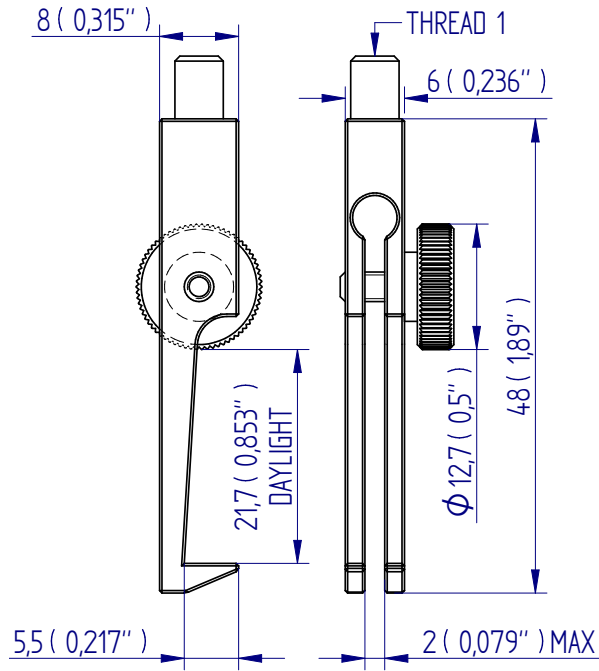
Used for general purpose tensile testing of:

- crimp terminals

Specifications

Part No.	Load Capacity	Thread 1	Hook Depth	Jaw Opening	Length	Weight
432-380	50 N / 5 kgf / 11 lbf	10-32 UNF	5.5 mm (0.217")	2 mm (0.08")	56 mm (2.21")	13 g (0.02 lb)

Dimensions mm (inch)



FS 58553

DISTRIBUTOR STAMP

Mecmesin reserves the right to alter equipment specifications without prior notice.
E&OE

Head Office
Mecmesin Limited

w: www.mecmesin.com
e: sales@mecmesin.com

France
Mecmesin France

w: www.mecmesin.com/fr
e: contact@mecmesin.fr

Germany
Mecmesin GmbH

w: www.mecmesin.com/de
e: info@mecmesin.de

North America
Mecmesin Corporation

w: www.mecmesin.com
e: info@mecmesincorp.com

Asia
Mecmesin Asia Co., Ltd

w: www.mecmesin.com/th
e: sales@mecmesinasia.com

China
Mecmesin (Shanghai) Pte Ltd

w: www.mecmesin.com/zh
e: sales@mecmesin.cn