

Extended Peg Hook (Bow Pull-off Test)



Description

The extended peg hook is used for securely attaching samples of decorations when carrying out test-to-failure tests on textiles and clothing adornments, for example a bow. Often used with the 25 mm / 50 mm 'grab test' textile fixture.

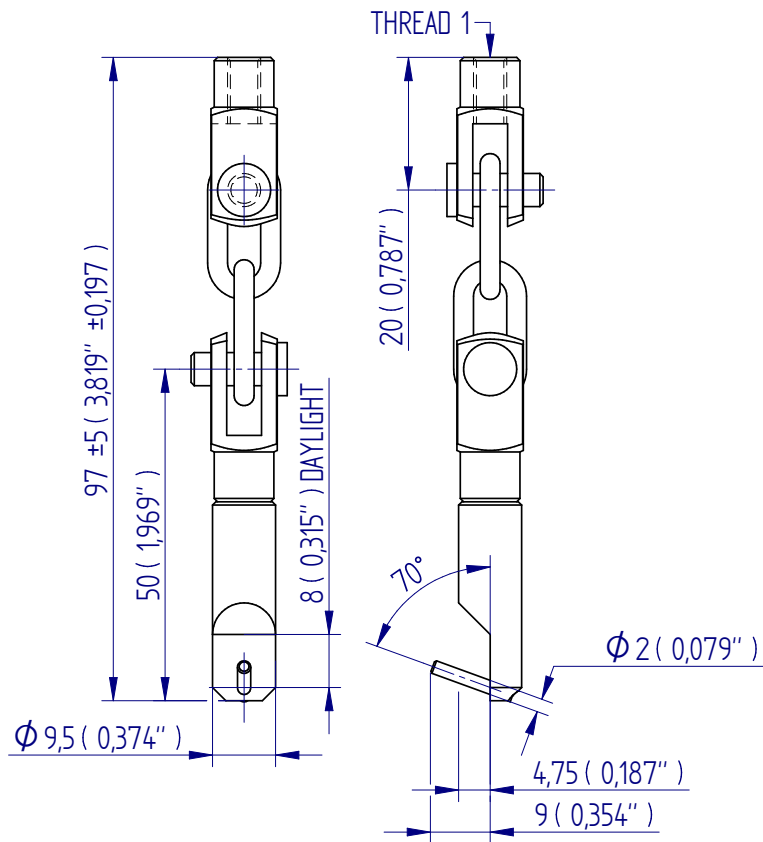
Applications

- bows and loops

Specifications

Part No.	Load Capacity	Thread 1	Length (A)	Peg Length	Peg Ø	Weight
432-181	50 N / 5 kgf / 11 lbf	10/32 UNF	97 mm 3.82"	9 mm 0.35"	2 mm 0.08"	42 g 0.09 lb

Dimensions mm (inch)



FS 58553

DISTRIBUTOR STAMP

Mecmesin reserves the right to alter equipment specifications without prior notice.
E&OE

Head Office
Mecmesin Limited

w: www.mecmesin.com
e: sales@mecmesin.com

France
Mecmesin France

w: www.mecmesin.com/fr
e: contact@mecmesin.fr

Germany
Mecmesin GmbH

w: www.mecmesin.com/de
e: info@mecmesin.de

North America
Mecmesin Corporation

w: www.mecmesin.com
e: info@mecmesincorp.com

Asia
Mecmesin Asia Co., Ltd

w: www.mecmesin.com/th
e: sales@mecmesinasia.com

China
Mecmesin (Shanghai) Pte Ltd

w: www.mecmesin.com/zh
e: sales@mecmesin.cn