

## Wire/Filament Grips



### Description

The wire/filament grip is equipped with a grooved capstan and precision-machined swivel plate, which are designed to ensure centre break within the sample and specimen alignment when force is applied.

Supplied individually.

### Applications

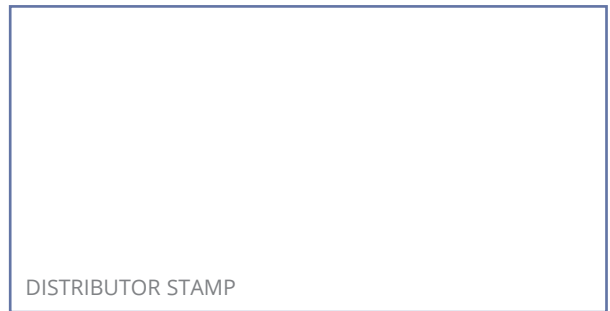
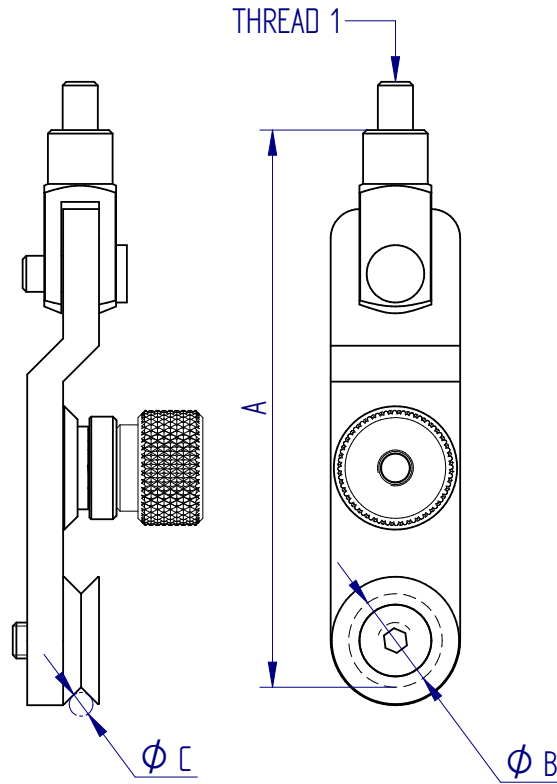
Used for tensile testing of:

- thin wires
- cords
- filaments
- yarns

### Specifications

Part No.	Load Opening	Thread 1	Pulley Diameter (ØB)	Max wire Diameter (ØC)	Length (A)	Weight
432-363	250 N / 25kgf / 55 lbf	10-32 UNF	13 mm (0.50")	0.8 mm (0.03")	78 mm (3.07")	-
432-397	500 N / 50 kgf / 110 lbf	10-32 UNF	19 mm (0.75")	1.5 mm (0.06")	97 mm (3.82")	117 g (0.26 lb)

## Dimensions mm (inch)



FS 58553

Mecmesin reserves the right to alter equipment specifications without prior notice.  
E&OE

**Head Office**  
Mecmesin Limited

w: [www.mecmesin.com](http://www.mecmesin.com)  
e: [sales@mecmesin.com](mailto:sales@mecmesin.com)

**France**  
Mecmesin France

w: [www.mecmesin.com/fr](http://www.mecmesin.com/fr)  
e: [contact@mecmesin.fr](mailto:contact@mecmesin.fr)

**Germany**  
Mecmesin GmbH

w: [www.mecmesin.com/de](http://www.mecmesin.com/de)  
e: [info@mecmesin.de](mailto:info@mecmesin.de)

**North America**  
Mecmesin Corporation

w: [www.mecmesin.com](http://www.mecmesin.com)  
e: [info@mecmesincorp.com](mailto:info@mecmesincorp.com)

**Asia**  
Mecmesin Asia Co., Ltd

w: [www.mecmesin.com/th](http://www.mecmesin.com/th)  
e: [sales@mecmesinasia.com](mailto:sales@mecmesinasia.com)

**China**  
Mecmesin (Shanghai) Pte Ltd

w: [www.mecmesin.com/zh](http://www.mecmesin.com/zh)  
e: [sales@mecmesin.cn](mailto:sales@mecmesin.cn)