

Spring-Loaded Fold Grip, QC fitting



Description

The spring-loaded fold grip is a self-tightening grip with a spring-loaded roller for holding flexible samples firmly as load is applied. Sample material is wound around the cross hatch knurl of the 10 mm (0.39") diameter roller and held in contact with the serrated rear body, preventing slippage within the grip.

Supplied individually.

Applications

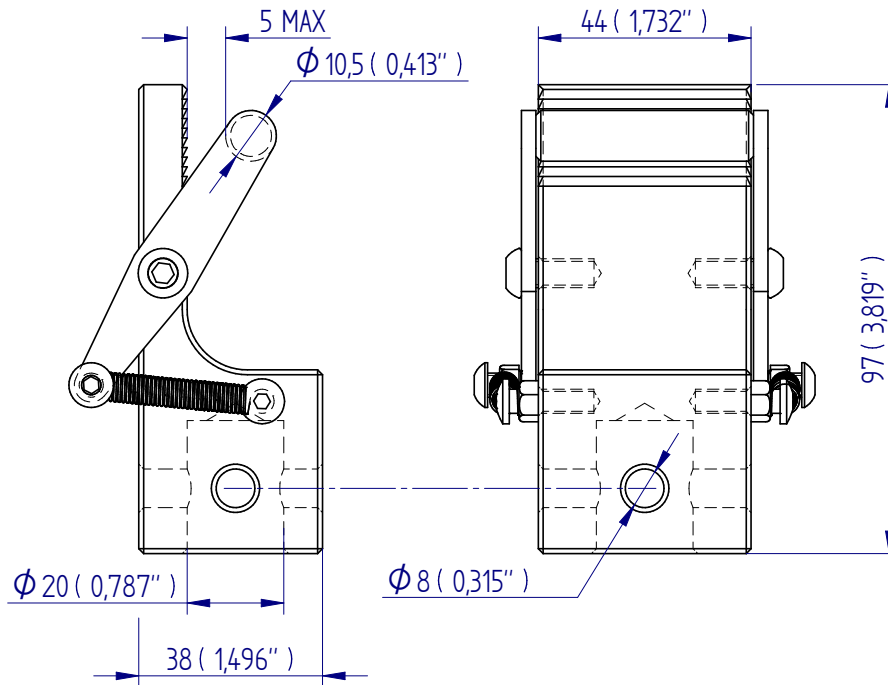
Used for tensile testing of flexible materials:

- elastomers
- rubber
- films
- fabrics
- polymers
- leather

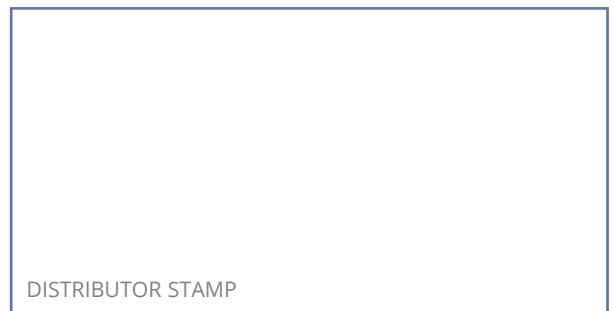
Specifications

Part No.	Load Capacity	Post Ø	Max. Sample Thickness	Max. Specimen Width	Length	Weight
432-262	2 kN / 200 kgf / 450 lbf	QC-20	5 mm (0.20")	45 mm (1.75")	97 mm (3.81")	680 g (1.5 lb)

Dimensions mm (inch)



FS 58553



Mecmesin reserves the right to alter equipment specifications without prior notice.
 E&OE

Head Office
Mecmesin Limited

w: www.mecmesin.com
 e: sales@mecmesin.com

France
Mecmesin France

w: www.mecmesin.com/fr
 e: contact@mecmesin.fr

Germany
Mecmesin GmbH

w: www.mecmesin.com/de
 e: info@mecmesin.de

North America
Mecmesin Corporation

w: www.mecmesin.com
 e: info@mecmesincorp.com

Asia
Mecmesin Asia Co., Ltd

w: www.mecmesin.com/th
 e: sales@mecmesinasia.com

China
Mecmesin (Shanghai) Pte Ltd

w: www.mecmesin.com/zh
 e: sales@mecmesin.cn