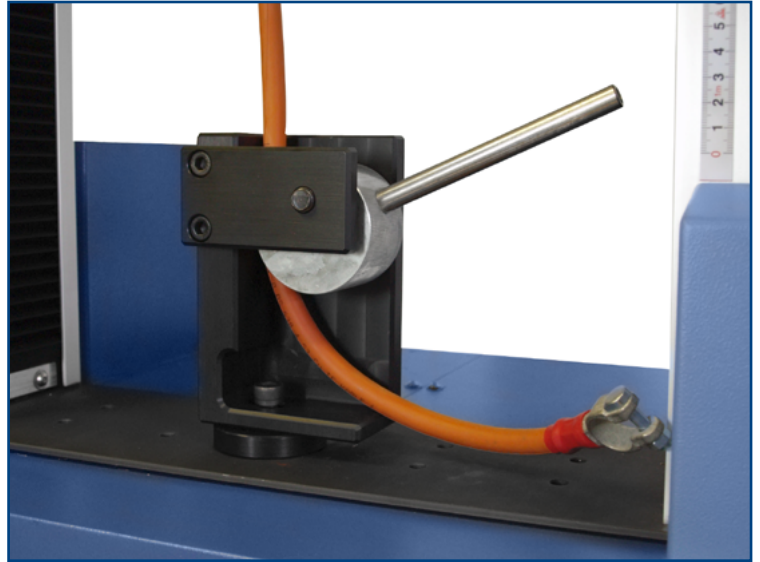


## Cable Cam Grips



### Description

Cable cam grips are designed for holding insulated cables and wire. The sample is secured by the cam, which self-tightens as load is applied and spreads the load evenly. Serrated or smooth cam. Supplied with socket-cap bolt for stand fixing.

Supplied individually.

### Applications

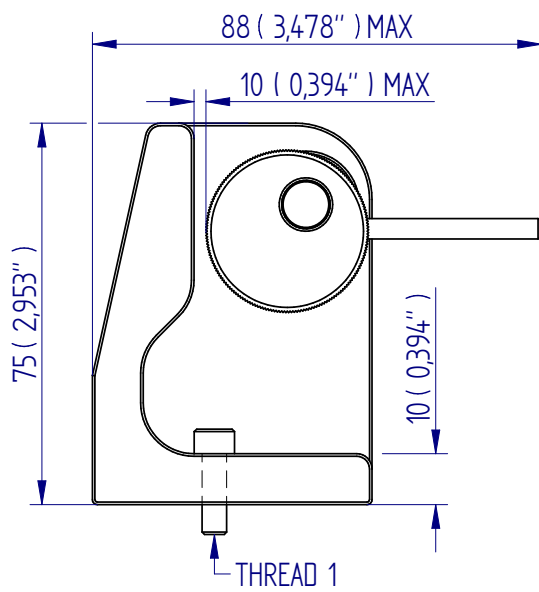
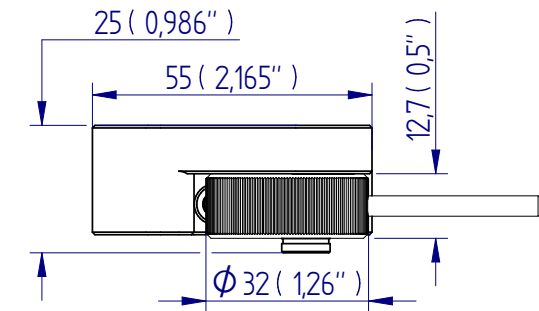
Used for general purpose tensile testing of:

- crimped terminals
- tapes
- foils
- wires

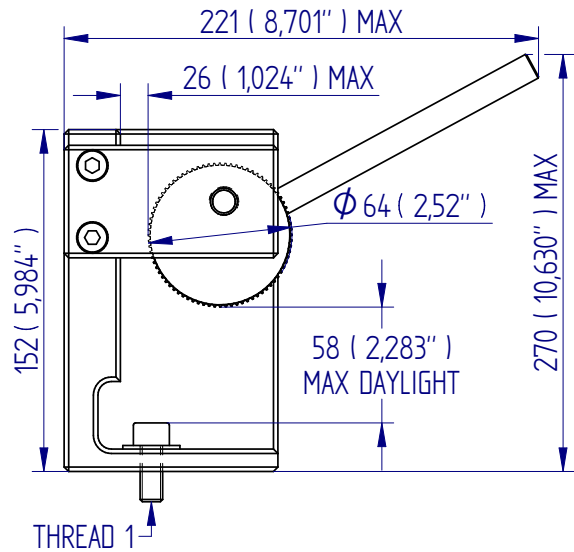
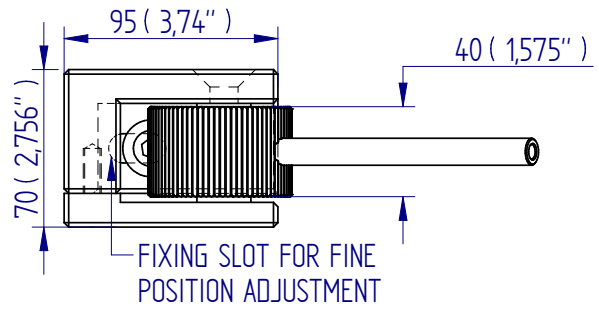
### Specifications

Part No.	Load Capacity	Thread 1	Type	Max. Sample Width	Max. Samplet hickness	Length	Weight
432-390	1 kN / 100 kgf / 225 lbf	10-32 UNF	Serrated	13 mm (0.51")	10 mm (0.39")	75 mm (2.95")	230 g (0.51 lb)
432-404	1 kN / 100 kgf / 225 lbf	10-32 UNF	Smooth	13 mm (0.51")	10 mm (0.39")	75 mm (2.95")	230 g (0.51 lb)
432-108	5 kN / 500 kgf / 1100 lbf	M10	Serrated	40 mm (1.57")	26 mm (1.02")	152 mm (5.98")	2.3 kg (5.10 lb)

## Dimensions mm (inch)



432-390



THREAD 1

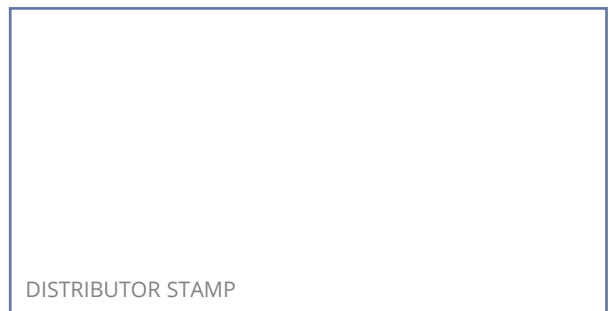
432-108

432-404



FS 58553

003



Mecmesin reserves the right to alter equipment specifications without prior notice.  
E&OE

**Head Office**  
Mecmesin Limited

w: [www.mecmesin.com](http://www.mecmesin.com)  
e: [sales@mecmesin.com](mailto:sales@mecmesin.com)

**France**  
Mecmesin France

w: [www.mecmesin.com/fr](http://www.mecmesin.com/fr)  
e: [contact@mecmesin.fr](mailto:contact@mecmesin.fr)

**Germany**  
Mecmesin GmbH

w: [www.mecmesin.com/de](http://www.mecmesin.com/de)  
e: [info@mecmesin.de](mailto:info@mecmesin.de)

**North America**  
Mecmesin Corporation

w: [www.mecmesin.com](http://www.mecmesin.com)  
e: [info@mecmesincorp.com](mailto:info@mecmesincorp.com)

**Asia**  
Mecmesin Asia Co., Ltd

w: [www.mecmesin.com/th](http://www.mecmesin.com/th)  
e: [sales@mecmesinasia.com](mailto:sales@mecmesinasia.com)

**China**  
Mecmesin (Shanghai) Pte Ltd

w: [www.mecmesin.com/zh](http://www.mecmesin.com/zh)  
e: [sales@mecmesin.cn](mailto:sales@mecmesin.cn)