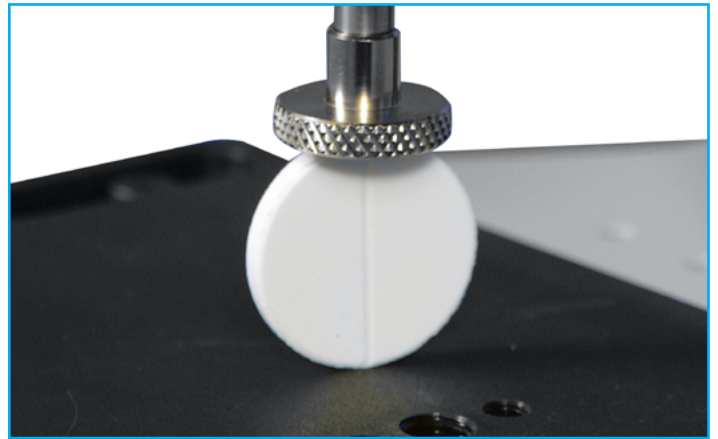


## Nickel Plated Compression Plates



### Description

Nickel plated compression plates are resistant to rusting.

Supplied individually.

### Applications

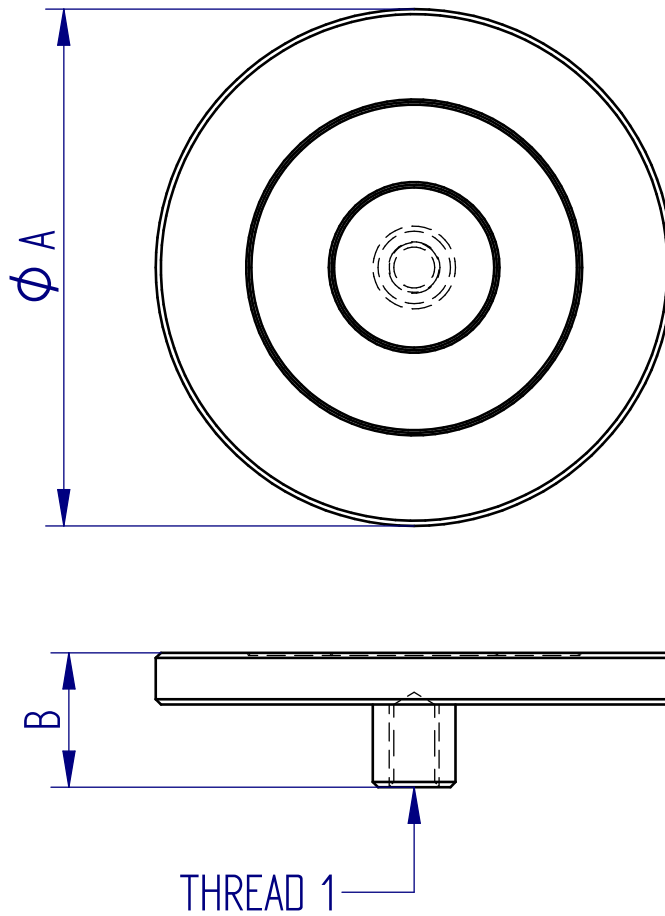
Used for compression testing of:

- metals
- mortar
- cement
- plaster

### Specifications

Part No.	Load Capacity	Thread 1	Diameter (ØA)	Height (B)	Weight
432-119	5 kN / 500 kgf / 1100 lbf	10-32 UNF	12 mm (0.47")	12 mm (0.47")	6 g (0.01 lb)
432-188-F95	5 kN / 500 kgf / 1100 lbf	M6	12 mm (0.47")	12 mm (0.47")	5 g (0.01 lb)
432-121	5 kN / 500 kgf / 1100 lbf	10-32 UNF	19 mm (0.75")	16 mm (0.63")	12 g (0.03 lb)
432-125	5 kN / 500 kgf / 1100 lbf	5/16 UNC	19 mm (0.75")	19 mm (0.75")	17 g (0.04 lb)
432-005	5 kN / 500 kgf / 1100 lbf	M6	19 mm (0.75")	16 mm (0.63")	10 g (0.02 lb)
432-343	5 kN / 500 kgf / 1100 lbf	10-32 UNF	50 mm (1.97")	13 mm (0.51")	79 g (0.17 lb)
432-344	5 kN / 500 kgf / 1100 lbf	5/16 UNC	50 mm (1.97")	16 mm (0.63")	84 g (0.19 lb)

## Dimensions mm (inch)



DISTRIBUTOR STAMP

Mecmesin reserves the right to alter equipment specifications without prior notice.  
E&OE

**Head Office**  
**Mecmesin Limited**

w: [www.mecmesin.com](http://www.mecmesin.com)  
e: [sales@mecmesin.com](mailto:sales@mecmesin.com)

**France**  
**Mecmesin France**

w: [www.mecmesin.com/fr](http://www.mecmesin.com/fr)  
e: [contact@mecmesin.fr](mailto:contact@mecmesin.fr)

**Germany**  
**Mecmesin GmbH**

w: [www.mecmesin.com/de](http://www.mecmesin.com/de)  
e: [info@mecmesin.de](mailto:info@mecmesin.de)

**North America**  
**Mecmesin Corporation**

w: [www.mecmesin.com](http://www.mecmesin.com)  
e: [info@mecmesincorp.com](mailto:info@mecmesincorp.com)

**Asia**  
**Mecmesin Asia Co., Ltd**

w: [www.mecmesin.com/th](http://www.mecmesin.com/th)  
e: [sales@mecmesinasia.com](mailto:sales@mecmesinasia.com)

**China**  
**Mecmesin (Shanghai) Pte Ltd**

w: [www.mecmesin.com/zh](http://www.mecmesin.com/zh)  
e: [sales@mecmesin.cn](mailto:sales@mecmesin.cn)