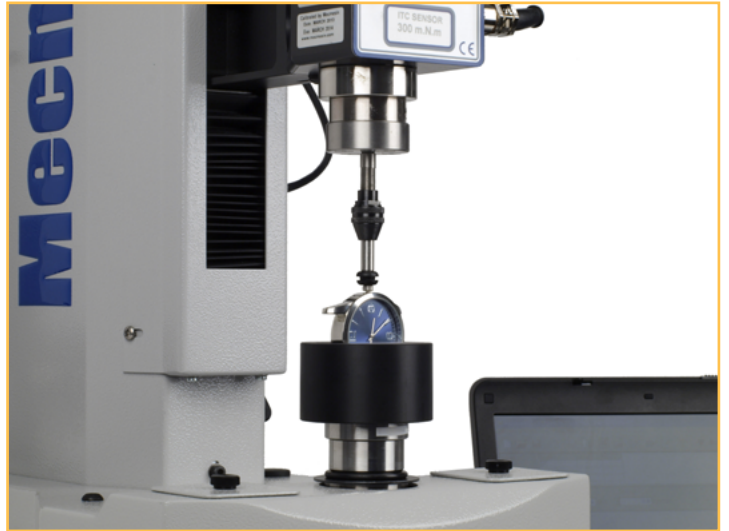


Pin Chucks



Description

Pin chucks are specifically designed for gripping circular or rod-type specimens, or needles for sharpness testing.

Applications

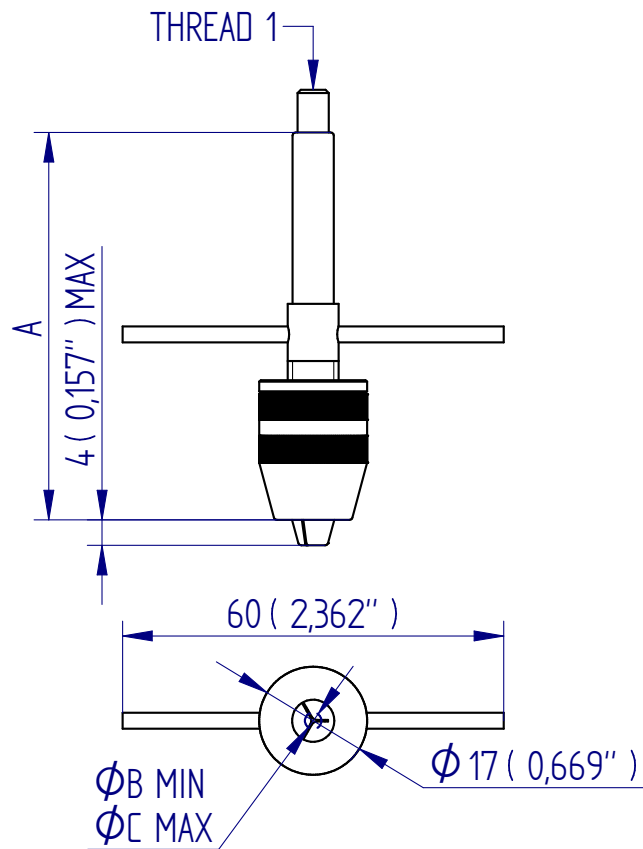
Used for tensile testing of:

- Pin or rod components

Specifications

Part No.	Load Capacity	Thread 1	Capacity Min./Max. Ø	Length	Weight
432-382	100 N / 10 kgf / 22 lbf	10-32 UNF	0.5 mm - 3.5 mm (0.02" - 0.14")	61 mm (2.40")	36 g (0.08 lb)
432-214	100 N / 10 kgf / 22 lbf	M6	0.5 mm - 3.5 mm (0.02" - 0.14")	86 mm (3.39")	36 g (0.08 lb)

Dimensions mm (inch)



FS 58553

DISTRIBUTOR STAMP

Mecmesin reserves the right to alter equipment specifications without prior notice.
E&OE

Head Office
Mecmesin Limited

w: www.mecmesin.com
e: sales@mecmesin.com

France
Mecmesin France

w: www.mecmesin.com/fr
e: contact@mecmesin.fr

Germany
Mecmesin GmbH

w: www.mecmesin.com/de
e: info@mecmesin.de

North America
Mecmesin Corporation

w: www.mecmesin.com
e: info@mecmesincorp.com

Asia
Mecmesin Asia Co., Ltd

w: www.mecmesin.com/th
e: sales@mecmesinasia.com

China
Mecmesin (Shanghai) Pte Ltd

w: www.mecmesin.com/zh
e: sales@mecmesin.cn